

TASK ORDER #10
FERRY TERMINAL BUILDING IMPROVEMENTS

SCOPE OF WORK

Note: All work to follow specifications used for the Seaport restrooms projects.

EXTERIOR WORK

- Power wash entire building
- Paint rails, porch columns and beam white
- Replace sconce lighting with attached nautical wall sconce (LED). Paint back plate if required.
- Replace can lights in soffit with LED
- Replace all old lighting under building and above parking spaces to match new round LED lights
- Remove all speakers, terminate wire and provide blank plates
- Prep and paint stairs and balcony floor
- Repair, paint underside building damage at dumpster area (2 loc)
 1. Paint Column Blocks white

INTERIOR WORK

MAIN AUDITORIUM

- Prep, prime and paint (2-coats) all walls, soffits and columns
- Replace all damaged/ stained carpet tiles (provided by owner)
- Replace all can lighting in soffit with LED
- Retrofit existing halogen up light fixture to received LED bulb
- Remove all tv's
- Professionally clean all exposed roof joist, sprinkler piping, speakers and vent grates
- Professionally clean all baseboards, replace as necessary
- Provide heavy duty transition strip at carpet/ tile at Paradise Porter
 1. Remove & Replace Double Doors 2. Professionally clean existing carpet.

CORRIDOR

- Replace all damaged/ stained carpet tiles (provided by owner)
- Replace all can lighting in soffit with LED
- Replace any damaged outlet wall plates with new

WOMEN'S RESTROOM

- Prep, prime and paint (2-coats) all walls and doors
- Professionally clean tile floors

MEN'S RESTROOM

- Remove/ replace tile floor and base.
- Prep and install tile to mid wall behind all toilets and urinals. Provide bullnose caps at all exposed ends.
- Prep, prime and paint (2-coats) all walls, ceiling and doors
- Remove ceiling speakers and associated wiring, patch
- Provide new over counter lighting LED
- Replace all can lighting
- Professionally clean all vent grates

Permit Drawings

Provide signed and sealed permit drawings, from a licensed professional engineer/architect, if required to obtain appropriate permits.

Permits

Apply for and obtain all permits applicable to this project.

The intent of this Scope of Work is to describe a functionally complete project (or part thereof) to be constructed in accordance with all applicable codes. Any work, materials, equipment or shop drawings that may reasonably be inferred from this Scope of Work, as being required to produce the intended result shall be supplied whether or not specifically called for.

All work must meet current applicable codes.

COST BREAKDOWN

1. Mobilization and Demobilization

1	LS	(7.5% of work)	\$ <u>9500.00</u>
---	----	----------------	-------------------

2. Exterior Work (includes all labor, equipment and disposal for a complete product)

Labor	1	LS	\$ <u>39,263.00</u>
Material	1	LS (invoice + 7.5%)	\$ <u>20,889.00</u>

3. Interior Work MAIN AUDITORIUM (includes all labor, equipment and material for a complete product)

Labor	1	LS	\$ <u>34,355.00</u>
Material	1	LS (invoice + 7.5%)	\$ <u>22,617.00</u>

4. Interior Work CORRIDOR (includes all labor, equipment and material for a complete product)

Labor	1	LS	\$ <u>4,195.00</u>
Material	1	LS (invoice + 7.5%)	\$ <u>2,555.00</u>

5. Interior Work WOMEN'S RESTROOM (includes all labor, equipment and material for a complete product)

Labor	1	LS	\$ <u>3,170.00</u>
Material	1	LS (invoice + 7.5%)	\$ <u>453.00</u>

6. Interior Work MEN'S RESTROOM (includes all labor, equipment and material for a complete product)

Labor	1	LS	\$ <u>25,631.00</u>
Material	1	LS (invoice + 7.5%)	\$ <u>6,400.00</u>

7. Permit Drawings Allowance (invoice + 10%)

1	LS	\$ <u>1,500.00</u>
---	----	--------------------

8. Permit Fees Allowance (to be paid at cost)

1	LS	\$ <u>5,500.00</u>
---	----	--------------------

ESTIMATE FOR CONTRACT

DATE: May 31, 2022

CONTRACT TITLE:

Task Order #10, Ferry Terminal Bldg Improvements

Revisions/Comments

Direct Materials/Eqt Rentals			20,006		
Markup on Materials/Eqt Rentals	7.50%	7.50%	1,500		
Direct Labor			87,737		
Subs			54,350		
Markup on Subs	10.00%	10%	5,435		
SUBTOTAL				169,028	
Permit				1,500	
Allowance				5,500	
Allowance				7,500	
GRAND TOTAL				183,528	

Contractor name: Sea Tech of the Florida Keys Inc

Signature & Title of Preparer: _____

May 31, 2022

Date: _____

BREAKDOWN OF DIRECT COSTS								
ITEMS OF WORK	QTY	UNIT	MATERIAL/EQT RENTAL		LABOR		SUBCONTRACTORS	
			Unit Cost	Total Cost	Unit Cost	Total Cost	Rate	Total
				-		-		-
Clerical	128	hrs		-	28.68	3,671.04		-
Superintendent	320	hrs		-	61.45	19,664.00		-
Carpenter	560	hrs		-	49.16	27,529.60		-
Painter	400	hrs		-	49.16	19,664.00		-
Laborer	600	hrs		-	28.68	17,208.00		-
				-		-		-
Exterior Work				-		-		-
Power wash entire building	1	ls	600.00	600.00		-		-
Paint rails, columns and beams	1	ls	1,100.00	1,100.00		-		-
Replace Sconce lights	1	ls		-		-	13430	13,430.00
Replace Soffit Lights	1	ls		-		-	5275	5,275.00
Replace ceiling lighting under building with LED	1	ls		-		-	10170	10,170.00
Remove all speaker wires and cover with blank plate	1	ls	-	-		-	670	670.00
Prep & Paint Stair Balcony	1	ls	825.00	825.00		-		-
Repair & paint underside of building at dumpster area	1	ls	150.00	150.00		-		-
Paint column blocks at ground level	1	ls	550.00	550.00		-		-
Main Auditorium		ls		-		-		-

CONTRACT TITLE:

Task Order #10, Ferry Terminal Bldg Improvements

Prep, Prime & Paint walls, soffit and columns	1	ls	3,025.00	3,025.00		-		-
Professionally Clean Carpet	1	ls	-	-		-	1,800.00	1,800.00
Replace Soffit Lights	1	ls	-	-		-	7,455.00	7,455.00
Retrofit Halogen Lights	1	ls	-	-		-	5,860.00	5,860.00
Remove all TV's	0	ls	-	-		-		-
Professionally clean all exposed roof joists, sprinkler piping, speaker & vent gates	1	ls	-	-		-	800.00	800.00
Professionally Clean all baseboards, replace as necessary	1	ls	125.00	125.00		-	200.00	200.00
Replace Double Doors	1	ls	8,353.00	8,353.00		-		
Provide Heavy Duty transition strip at paradise porter	1	ls	80.00	80.00		-		
Corridor			-	-		-		-
Replace all damaged carpet tiles	1	ls	85.00	85.00		-		-
Replace all can lights with LED	1	ls	-	-		-	4,315.00	4,315.00
Replace damaged outlet plates with new	1	ls	-	-		-	450.00	450.00
Womens Restroom			-	-		-		-
Prep, Prime & Paint walls	1	ls	550.00	550.00		-		-
Professionally Clean Tile Floors	1	ls	-	-		-	400.00	400.00
Mens Restroom		ea	271.00	-		-		-
Replace Tile Floor & Base	425	sf	6.25	2,656.25		-		-
Install Tile Behind Toilets & Urinals	60	sl	6.25	375.00		-		-
Remove Ceiling Speakers & Patch Drywall	1	ls	75.00	75.00		-		-
Prep, Prime & Paint walls & Ceiling	1	ls	275.00	275.00		-		-
Provide New Over Counter LED Lighting	1	ls	-	-		-	1,860.00	1,860.00
Replace all can lights with LED	1	ls	-	-		-	1,565.00	1,565.00
Professionally Clean Vent Grates	1	ls	-	-		-	100.00	100.00
Scaffolding	1	ls	1,182.00	1,182.00		-		-
				-		-		-
				-		-		-
TOTALS				20,006.25		87,736.64		54,350.00



Nearshore Electric, Inc.

State Certified Electrical Contractor

#EC13001186

Scope of Work

Job# 211208 rev I

Confidential

Owner: Seatech

Phone: (305) 304-8406 ~ E-mail: RyonL@seatech.cc

Project: Ferry Terminal Lighting

Project Address: 201 William St

Key West, FL 33040

May 27, 2022

To all concerned,

We are pleased to offer you our proposal for the electrical work required at **201 William St at Ferry Terminal** in Key West Florida. All work performed by Nearshore Electric, Inc. shall conform to current codes, regulations, and project specifications. All work performed by Nearshore Electric, Inc. shall be warranted for a period of one year. The following breakdown describes the items and services that Nearshore Electric, Inc. shall provide as well as any exclusion from our scope of work.

INCLUDED IN BASE BID:

Exterior

- Demo/Recycle 25-Wall Sconce, 25- Soffit 6" Can, and 20-MH Shoebox Fixtures (existing to be upgraded to LED style)
- Demo/Discard 4-Outdoor Speakers and Provide WP Blank Covers/Wirenuts
- Provide/Install 25-70w 5000K LED Sconce Light, 25-6" 13w 5000K LED Can Light/WP Trim, and 20-12" 40w 5000K LED Canopy Light Fixtures

Auditorium

- Demo/Recycle 39-6" Can Light Fixtures/Trims and 17-40w Halogen Bulbs
- Provide/Install 39-6" 13w 4000k LED Can Light Fixtures/WP Trim Covers
- Provide/Install 40w LED Mogul Base Bulbs (retrofit existing Incandescent Up/Cove Lighting Fixtures)

Corridor

- Demo/Recycle 17-6" Can Light Fixtures/Trims and Duplex Receptacles/Covers
- Provide/Install 10-6" 13w 3000K LED Can Light Fixtures/Trims
- Provide/Install 7-6" 13w 3000K LED Emergency Can Light Fixtures/Trims with 90min Battery Backup
- Provide/Install 2-20a Duplex Receptacles/Trim plates (replace if damaged/discolored as per SOW)

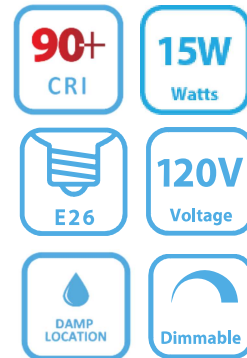
Men's Restroom

- Demo/Recycle 6-6" Can Lights Fixtures and 2-Vanity Light Fixtures
- Provide/Install 6-6" 13w 5000K Can Light Fixtures/WP Trim Covers
- Provide/Install 2-30" 40w 5000K LED Vanity Fixtures/Covers

- ◆ Workers Comp/General Liability Insurance
- ◆ Taxes/Warranty

EXCLUDED FROM BID:

- ◆ Permit Fees
- ◆ Private Provider Plan Reviews/Inspections, and Utility Fees
- ◆ Any Scope of work not clearly shown on drawings or within the bid documents and/or specifications is not included in this proposal.



High quality of light and color rendering (90+ CRI, 50+ R9),
with low flicker, flicker <30%,
Smooth dimming. Dimming lower than 10%.

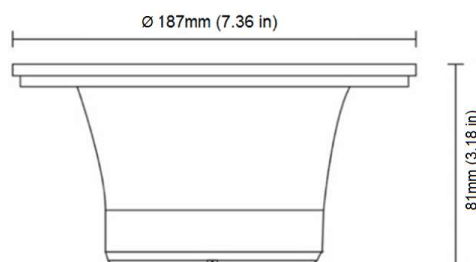


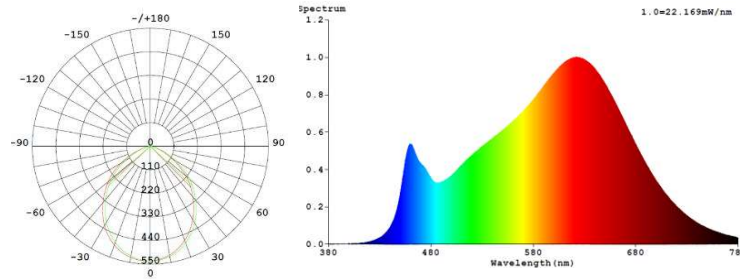
ELECTRICAL SPECIFICATIONS

MODEL NO.	LUMEN	POWER	CCT	BEAM	CRI	PF	CBCP
SE-350.063	1100LM	15W	2700K	100°	>90	>0.9	515cd
SE-350.064	1100LM	15W	3000K	100°	>90	>0.9	540cd
SE-350.065	1100LM	15W	4000K	100°	>90	>0.9	540cd
SE-350.066	1100LM	15W	5000K	100°	>90	>0.9	550cd

MECHANICAL SPECIFICATIONS

MODEL NO.	MEASURES	WEIGHT	OPERATIONAL TEMPERATURE	INNER BOX QTY	MASTER CARTON QTY
SE-350.063	7.36in X 3.18in	8.82oz	-20°C - 40°C	6pcs	24pcs
SE-350.064	7.36in X 3.18in	8.82oz	-20°C - 40°C	6pcs	24pcs
SE-350.065	7.36in X 3.18in	8.82oz	-20°C - 40°C	6pcs	24pcs
SE-350.066	7.36in X 3.18in	8.82oz	-20°C - 40°C	6pcs	24pcs





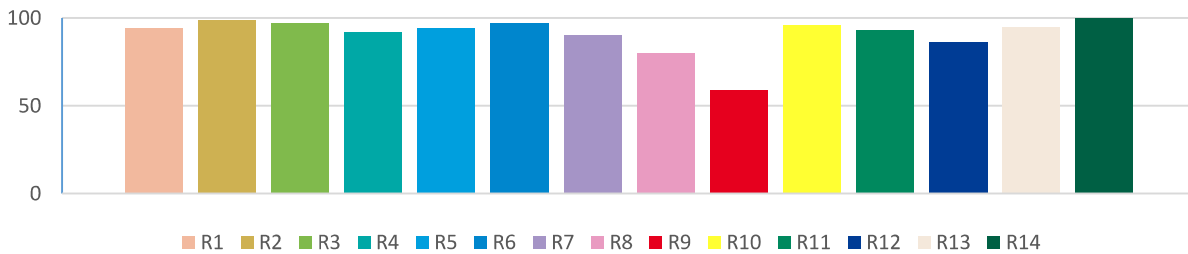
RA – CHART: >90

RA refers to the average value of R1 to R8.

R9 is the score that represents how accurately a light source will reproduce strong red colors. "Accurate" is defined as similarity to daylight or incandescent bulbs, depending on the color temperature.

R VALUES

R1=94	R2=99	R3=97	R4=92	R5=94	R6=97	R7=90
R8=80	R9=59	R10=96	R11=93	R12=86	R13=95	R14=100



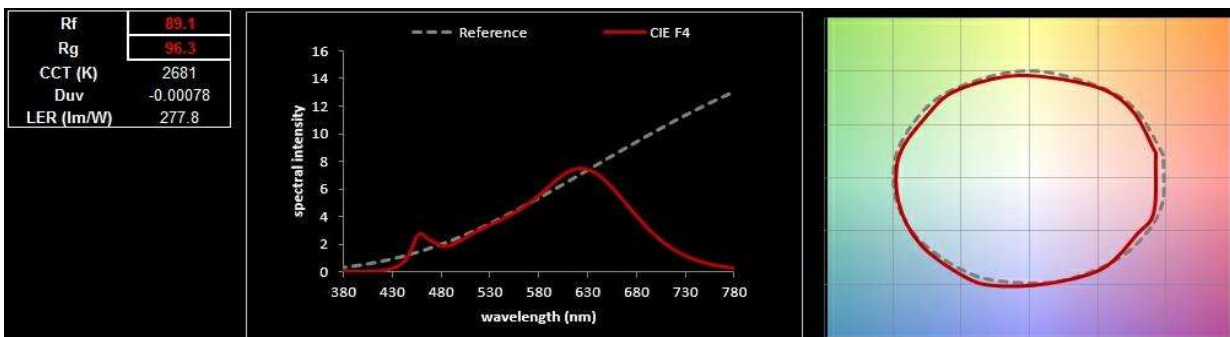
TM30 GRAPHIC

TM-30 deals with the color rendition of object.

Rf- a fidelity index that is similar to the commonly used CRI

Rg- a gamut index that provides information about saturation

Color vector graphic- a graphical representation of hue and saturation relative to a reference source.



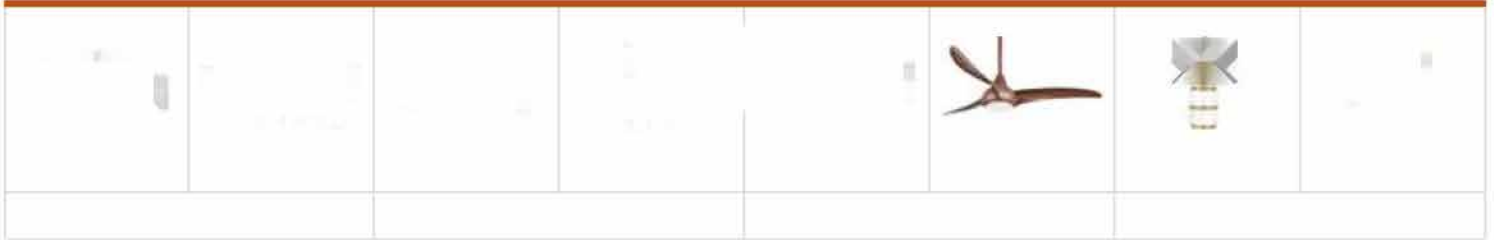
(800) 375-3410



LightingDirect.com™
A Build.com Network Site



COVID-19 Update: Customer service wait times and delivery schedules may be impacted.



[Home](#) > [Brands](#) > [ANP Lighting](#) > [Shop All ANP Lighting](#) > [ANP Lighting VTW200GLCL-GUP](#)

Item # bci2992072





Overview

Reviews

Product Q&A

Product Overview


Feature:

- Made in the USA
- Marine grade finish available which provides superior salt, humidity, and UV protection. Marine grade finish comes with 5 year manufacturer warranty
- All painted finishes are powder coated for an attractive, durable, and scratch-resistant finish
- Cast aluminum wall mount with heavy duty spun aluminum shade
- UL and ETL listed
- Wet location rated
- Limited 1 year manufacturer warranty
- ADA compliant
- Dimmable: Yes
- Requires (1) 200 watt medium (E26) bulb

Dimensions:

- Height: 12.5"
- Width: 6" (measured from furthest point left to furthest point right on fixture)
- Extension: 6"
- Shade height: 12.5"
- Shade diameter: 6"
- Backplate diameter: 4.25"
- Backplate depth: 0.13"

Dimensions and Measurements

Backplate Depth	<input data-bbox="1252 1184 1284 1226" type="text" value="?"/>	0.13 in.
Backplate Diameter	<input data-bbox="1252 1304 1284 1346" type="text" value="?"/>	4.25 in.
Depth	<input data-bbox="1252 1402 1284 1444" type="text" value="?"/>	6 in.
Extension	<input data-bbox="1252 1480 1284 1522" type="text" value="?"/>	5.625 in.
Height	<input data-bbox="1252 1558 1284 1600" type="text" value="?"/>  12.5 in. Chat with an E...	
Shade Diameter	<input data-bbox="1252 1656 1284 1698" type="text" value="?"/>	6 in.
Shade Height	<input data-bbox="1252 1755 1284 1797" type="text" value="?"/>	12.5 in.
Width	<input data-bbox="1252 1833 1284 1875" type="text" value="?"/>	5.75 in.

Included Components

- Product weight: 7.5 lbs

Bulb Included No

Electrical Specification:

- Number of Bulbs: 1
- Bulb Included: No
- Bulb Base: Medium (E26)
- Watts Per Bulb: 200 watts
- Wattage: 200 watts
- Voltage: 120 volts, 277 volts
- Vapor Tight: Yes

Characteristics and Features

Bulb Base Medium (E26)

Dimmable Yes

Full Backplate No

Genre Transitional

Glass Features Clear Glass

Light Direction Down Lighting

Material Aluminum

Number of Bulbs 1

Shade Color Clear

Shade Material Metal

Shade Shape Cylinder

This product is listed under the following manufacturer number(s):

- ANP Lighting VTW200GLCL-GUP-49 Galvanized



A21/A23 HIGH OUTPUT RETROFITS 360° OMNI DIRECTIONAL DESIGN



VOLTAGE	INSTALL METHOD	MEDIUM & MOGUL BASE	OPERATING TEMP	MOUNTING	ENCLOSED FIXTURES	RATED LIFE	CRI	INGRESS PROTECTION	WARRANTY

A21/A23 High Output Retrofits



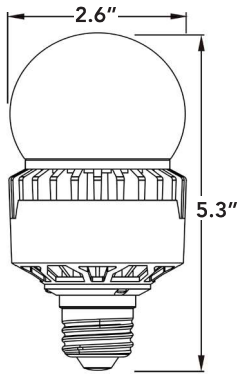
- Frosted design to reduce glare
- 360° light output for optimal performance
- Available in 3000K, 4000K and 5000K
- Pretested & potted drivers are burnt in 3x prior to shipping and protected against vibration and moisture
- Expertly engineered to work efficiently in enclosed fixtures & damp environments
- Protected against insects and dust
- 120-277V Non-Dimmable (other than 8017-G2-DIM)
- LED-8017-G2-DIM is 120V only

PART #	REPLACES (Incandescent)	REPLACES (HID)	WATTAGE	LUMENS	CCT (K)	BASE	ENERGY STAR	DLC CODE
LED-8015E50-G2	Up to 100W	Up to 70W	14W	1960	5000K	E26	✓	N/A
LED-8017E50-G2	Up to 150W	Up to 100W	20W	2760	5000K	E26	✓	N/A
LED-8017E50-G2-DIM	Up to 150W	Up to 100W	20W	2760	5000K	E26	✓	N/A
LED-8018E50-G2	Up to 200W	Up to 150W	25W	3575	5000K	E26	✓	N/A
LED-8018M50-G2	Up to 200W	Up to 150W	25W	3575	5000K	EX39	N/A	PL3PUZI7KO7Y
LED-8019M50-G2	Up to 300W	Up to 175W	35W	4690	5000K	EX39	N/A	PLGAMPK6VXAH

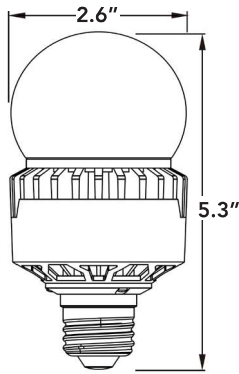
*LED-8017-DIM available in March 2020



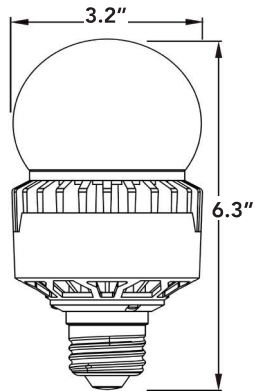
A21/A23 HIGH OUTPUT RETROFITS 360° OMNI DIRECTIONAL DESIGN



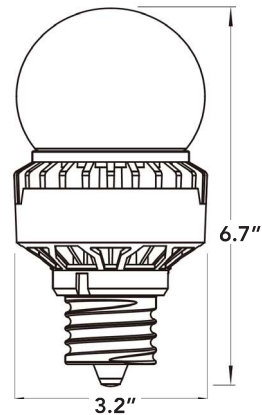
LED-8015E



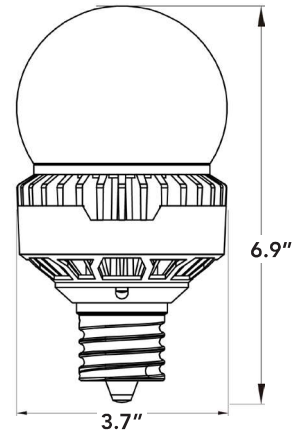
LED-8017E



LED-8018E



LED-8018M



LED-8019M

ORDERING GUIDE

PART #	UPC	REPLACES (INC)	REPLACES (HID)	WATTAGE	LUMENS	CCT (K)	BASE	ENERGY STAR	DLC CODES
LED-8015E30-G2	844006035969	Up to 100W	Up to 70W	14W	1792	3000K	E26	•	N/A
LED-8015E40-G2	844006035976	Up to 100W	Up to 70W	14W	1918	4000K	E26	•	N/A
LED-8015E50-G2	844006035983	Up to 100W	Up to 70W	14W	1960	5000K	E26	•	N/A
LED-8017E30-G2	844006035990	Up to 150W	Up to 100W	20W	2540	3000K	E26	•	N/A
LED-8017E40-G2	844006036003	Up to 150W	Up to 100W	20W	2720	4000K	E26	•	N/A
LED-8017E50-G2	844006036010	Up to 150W	Up to 100W	20W	2760	5000K	E26	•	N/A
LED-8017E30-G2-DIM	844006052218	Up to 150W	Up to 100W	20W	2540	3000K	E26	•	N/A
LED-8017E40-G2-DIM	844006052225	Up to 150W	Up to 100W	20W	2720	4000K	E26	•	N/A
LED-8017E50-G2-DIM	844006052232	Up to 150W	Up to 100W	20W	2760	5000K	E26	•	N/A
LED-8018E30-G2	844006036027	Up to 200W	Up to 150W	25W	3375	3000K	E26	•	N/A
LED-8018E40-G2	844006036034	Up to 200W	Up to 150W	25W	3525	4000K	E26	•	N/A
LED-8018E50-G2	844006036041	Up to 200W	Up to 150W	25W	3575	5000K	E26	•	N/A
LED-8018M30-G2	844006036058	Up to 200W	Up to 150W	25W	3375	3000K	EX39	N/A	PLYO2FRL1TZ
LED-8018M40-G2	844006036065	Up to 200W	Up to 150W	25W	3525	4000K	EX39	N/A	PLJ38NJP57SW
LED-8018M50-G2	844006036072	Up to 200W	Up to 150W	25W	3575	5000K	EX39	N/A	PL3PUZI7KO7Y
LED-8019M30-G2	844006036089	Up to 300W	Up to 175W	35W	4400	3000K	EX39	N/A	PLFD10SWG40S
LED-8019M40-G2	844006036096	Up to 300W	Up to 175W	35W	4400	4000K	EX39	N/A	PLZ89EO4KDCG
LED-8019M50-G2	844006036102	Up to 300W	Up to 175W	35W	4690	5000K	EX39	N/A	PLGAMPK6VXAH

WAC LIGHTING

Fixture Type: _____

Catalog Number: _____

Project: Ferry Terminal Lighting Upgrades

Location: Men's Restroom

Metro Bath & Vanity Light

Model	Color Temp & CRI	Lumens	Finish
<input type="radio"/> WS-180120	<input type="radio"/> 30 3000K - 90	1150	<input checked="" type="radio"/> BN Brushed Nickel
<input type="radio"/> WS-180127		1450	<input type="radio"/> CH Chrome
<input checked="" type="radio"/> WS-180137	<input checked="" type="radio"/> 35 3500K - 90	2130	
		1150	
		1450	
		2130	

Example: **WS-180137-35-BN**

DESCRIPTION

With soft illumination diffused through translucent acrylic, Metro adds a clean, modern look to baths and other types of modern dcor.

FEATURES

- Multiple LED array for uniform illumination
- Driver concealed within the fixture
- 5 year warranty

SPECIFICATIONS

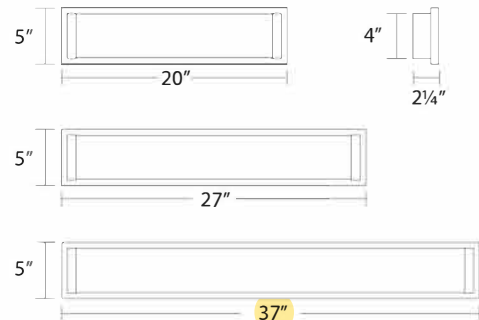
Construction:	Nickel plated steel with polycarbonate diffuser
Power:	20W, 16W, 28W
Input:	120-277 VAC, 50/60Hz
Dimming:	TRIAC: 100-5%, ELV: 100-5%
Light Source:	Integrated LED
	3 Step Mac Adam Ellipse
Rated Life:	50000 Hours
Mounting:	Installs over a 3" or 4" Junction Box, Can be mounted on ceiling or wall in all orientations
Finish:	Electroplated Brushed Nickel, Electroplated Chrome
Operating Temp:	-4°F to 104°F (-20°C to 40°C)
Standards:	ETL, cETL, Damp Location Listed, Energy Star 2.0, Title 24 JA8-2016 Compliant, ADA



FINISHES



LINE DRAWING



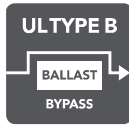
SHOE BOX & WALL PACK RETROFITS G4 HORIZONTAL MOUNTING



VOLTAGE**



MEDIUM + MOGUL BASES



INSTALL METHOD



OPERATING TEMP



ACTIVE COOLING



SURGE PROTECTION



CRI



RATED LIFE



WARRANTY

directional efficiency



LED-8089M

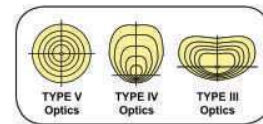
- 50W, 80W and 110W models replacing up to 400W HID
- Light panel can rotate once the base is tightened to direct light out of the fixture
- Includes a fan and thermal sensor to run cool and ensure a long and bright life
- Enclosed fixture safe and approved for damp locations
- USA designed and specified driver
- Available in 3000, 4000 and 5000K

includes support feet to prevent socket sag

*LED-8089 and 8090 only



LED-8090M offers choice of optics



PART #	UPC	REPLACES	WATTAGE	LUMENS	CCT (K)*	BASE	OPTICS	DLC PRODUCT CODE
LED-8087E50-G4	844006084288	up to 100W HID	30W	4255	5000K	E26	TYPE V	N/A
LED-8087M50-G4	844006084332	up to 100W HID	30W	4255	5000K	EX39	TYPE V	N/A
LED-8088E50-G4	844006083427	up to 175W HID	50W	7250	5000K	E26	TYPE V	N/A
LED-8088M50-G4	844006083472	up to 175W HID	50W	7250	5000K	EX39	TYPE V	PL1EIQY3
LED-8089M50-G4	844006083526	up to 250W HID	80W	11655	5000K	EX39	TYPE V	PMK0Q4Q6
LED-8090M50-G4	844006083571	up to 400W HID	110W	14570	5000K	EX39	TYPE V	PDL12RJC
LED-8090M50-G4-T3	844006083915	up to 400W HID	110W	12840	5000K	EX39	TYPE III	PZF9RH41
LED-8090M50-G4-T4	844006083922	up to 400W HID	110W	12780	5000K	EX39	TYPE IV	PDO0ZLSD

* See page 2 for additional color temperatures.

* LED-8087 available Quarter 4 2019

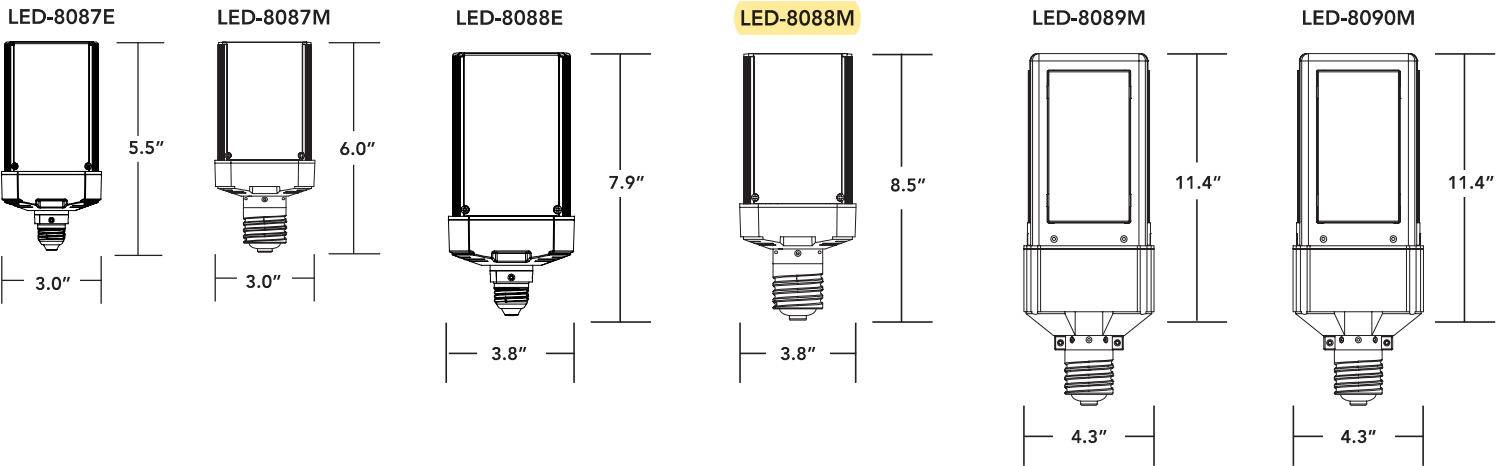
** See page 2 for 347 volt options for Canada.



Light Efficient Design

RemPhos

SHOE BOX & WALL PACK RETROFITS G4 HORIZONTAL MOUNTING



LED-8088 RECOMMENDED MINIMUM FIXTURE SIZE
5.4" w x 11.9" h / 347 cu. in. volume

LED-8089/LED-8090 RECOMMENDED MINIMUM FIXTURE SIZE
6" w x 12" h / 432 cu. in. volume

ORDERING GUIDE

PART #	UPC	REPLACES	WATTAGE	LUMENS	CCT (K)	BASE	OPTICS	DLC PRODUCT CODE
LED-8087E30-G4	844006084257	UP TO 100W HID	30W	3534	3000K	E26	TYPE V	N/A
LED-8087E40-G4	844006084264	UP TO 100W HID	30W	4260	4000K	E26	TYPE V	N/A
LED-8087E50-G4	844006084288	UP TO 100W HID	30W	4255	5000K	E26	TYPE V	N/A
LED-8087M30-G4	844006084301	UP TO 100W HID	30W	3534	3000K	EX39	TYPE V	N/A
LED-8087M40-G4	844006084318	UP TO 100W HID	30W	4260	4000K	EX39	TYPE V	N/A
LED-8087M50-G4	844006084332	UP TO 100W HID	30W	4255	5000K	EX39	TYPE V	N/A
LED-8088E30-G4	844006083380	UP TO 175W HID	50W	6915	3000K	E26	TYPE V	N/A
LED-8088E30-G4	844006083380	UP TO 175W HID	50W	6915	3000K	E26	TYPE V	N/A
LED-8088E40-G4	844006083403	UP TO 175W HID	50W	6460	4000K	E26	TYPE V	N/A
LED-8088E50-G4	844006083427	UP TO 175W HID	50W	7250	5000K	E26	TYPE V	N/A
LED-8088M30-G4	844006083434	UP TO 175W HID	50W	6915	3000K	EX39	TYPE V	PRZY4XA1
LED-8088M40-G4	844006083458	UP TO 175W HID	50W	6460	4000K	EX39	TYPE V	PXNCL1EK
LED-8088M50-G4	844006083472	UP TO 175W HID	50W	7250	5000K	EX39	TYPE V	PL1EIQY3
LED-8089M30-G4	844006083489	UP TO 250W HID	80W	12090	3000K	EX39	TYPE V	POVBC5FD
LED-8089M40-G4	844006083502	UP TO 250W HID	80W	12010	4000K	EX39	TYPE V	P6X6TWU7
LED-8089M50-G4	844006083526	UP TO 250W HID	80W	11655	5000K	EX39	TYPE V	PMKQ4Q6
LED-8090M30-G4	844006083533	UP TO 400W HID	110W	15745	3000K	EX39	TYPE V	P4A1ACGH
LED-8090M40-G4	844006083557	UP TO 400W HID	110W	15430	4000K	EX39	TYPE V	P2TFMJ5G
LED-8090M50-G4	844006083571	UP TO 400W HID	110W	14570	5000K	EX39	TYPE V	PDL12RJC
LED-8090M40-G4-T3	844006083892	UP TO 400W HID	110W	12630	4000K	EX39	TYPE III	PSXPBHZ5
LED-8090M40-G4-T4	844006083908	UP TO 400W HID	110W	12165	4000K	EX39	TYPE IV	PA18YDOM
LED-8090M50-G4-T3	844006083915	UP TO 400W HID	110W	12840	5000K	EX39	TYPE III	PZF9RH41
LED-8090M50-G4-T4	844006083922	UP TO 400W HID	110W	12780	5000K	EX39	TYPE IV	PDO0ZLSD

🇨🇦 **347 VOLT OPTIONS FOR CANADA** 🇨🇦

PART #	UPC	REPLACES	WATTAGE	LUMENS	CCT (K)	BASE	OPTICS	DLC PRODUCT CODE
LED-8087E40C-G4	844006084271	100W HID	30W	4325	4000K	E26	TYPE V	N/A
LED-8087E50C-G4	844006084295	100W HID	30W	4280	5000K	E26	TYPE V	N/A
LED-8087M40C-G4	844006084325	100W HID	30W	4325	4000K	EX39	TYPE V	N/A
LED-8087M50C-G4	844006084349	100W HID	30W	4280	5000K	EX39	TYPE V	N/A
LED-8088E40C-G4	844006083397	175W HID	50W	6460	4000K	E26	TYPE V	N/A
LED-8088E50C-G4	844006083410	175W HID	50W	7250	5000K	E26	TYPE V	N/A
LED-8088M40C-G4	844006083441	175W HID	50W	6460	4000K	EX39	TYPE V	PMYAWNDV
LED-8088M50C-G4	844006083465	175W HID	50W	7250	5000K	EX39	TYPE V	PGF6Y2D5
LED-8089M40C-G4	844006083496	250W HID	80W	12010	4000K	EX39	TYPE V	PQK2CH2K
LED-8089M50C-G4	844006083519	250W HID	80W	11655	5000K	EX39	TYPE V	PMDHGX9W
LED-8090M40C-G4	844006083540	400W HID	110W	15430	4000K	EX39	TYPE V	N/A
LED-8090M50C-G4	844006083564	400W HID	110W	14570	5000K	EX39	TYPE V	N/A
LED-8090M40C-G4-T3	844006083939	400W HID	110W	12630	4000K	EX39	TYPE III	P7OWSLYH
LED-8090M40C-G4-T4	844006083946	400W HID	110W	12165	4000K	EX39	TYPE IV	PQ1BR41U
LED-8090M50C-G4-T3	844006083953	400W HID	110W	12840	5000K	EX39	TYPE III	P929E8A1
LED-8090M50C-G4-T4	844006083960	400W HID	110W	12780	5000K	EX39	TYPE IV	PFCVP0WP

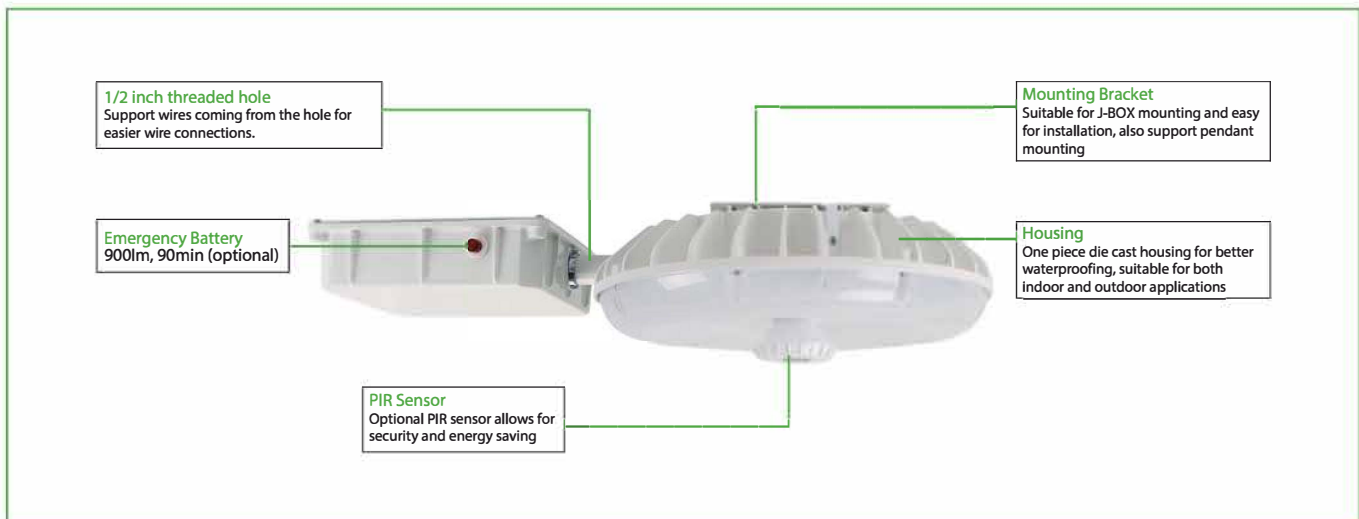


Applications:

Parking structures, storage areas, shopping area walkways, entryway, and low level security.

Features

- Sealed die-casting profile for indoor and outdoor applications.
- Voltage is 120-277V & 347V.
- Lumen output from 3500-7600lm with efficacy up to 127lm/W.
- Parking Garage Photometry
- Increase energy savings with bi-level motion sensor.
- Replacing 150W MH to 250W MH.
- Operating temperature is -40°C to 40°C (-40°F to 104°F).
- UL/cUL wet location and DLC premium qualified.



PERFORMANCE DATA

SYSTEM WATTS	PHOTOMETRY	VOLTAGE	4000K (70CRI)		5000K (70CRI)	
			LUMENS	LPW	LUMENS	LPW
30W	Parking Garage	120-277VAC	3500lm	117 lm/W	3600lm	120 lm/W
45W	Parking Garage	120-277VAC	4900lm	109 lm/W	5000lm	111 lm/W
60W	Parking Garage	120-277VAC	7000lm	117 lm/W	7100lm	118 lm/W

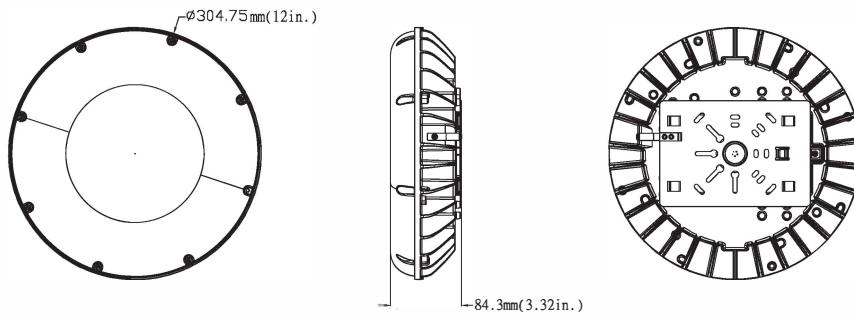
ELECTRICAL DATA

Number Of Drivers	Current (mA)	Nominal Power (W)	INPUT VOLTAGE (V)	CURRENT (Amps)
1	760	30	120	0.25
		30	208	0.14
		30	240	0.13
		30	277	0.11
1	1110	45	120	0.38
		45	208	0.22
		45	240	0.19
		45	277	0.16
		50	347	0.14
1	1500	60	120	0.50
		60	208	0.29
		60	240	0.25
		60	277	0.22
		60	347	0.17

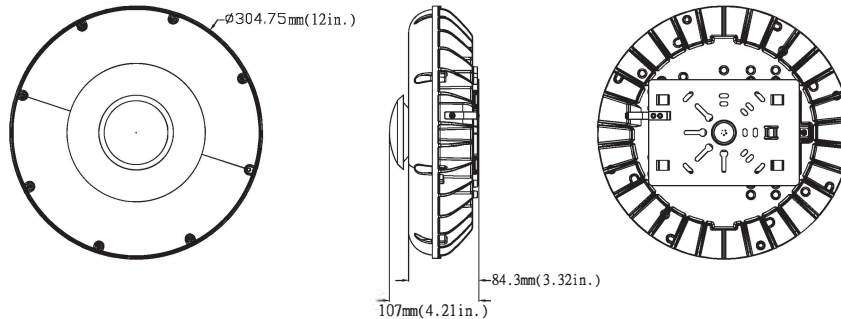
DIMENSION

unit: inch/mm

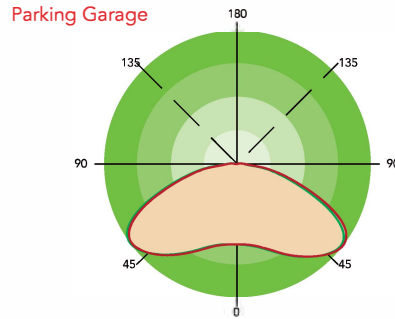
Weight: 30W: 5.29lb
45W: 5.4lb
60W: 5.73lb



Weight: 30W: 5.576lb
45W: 5.686lb
60W: 6.016lb



OPTICAL DISTRIBUTION



ORDERING GUIDE Example: RCL-30W-50K-WH-D10

Fixture Type	Wattage	Voltage	CCT	Finish	Dimmable
<input type="text"/>	<input type="text"/>	<input type="text"/>	<input type="text"/>	<input type="text"/>	<input type="text"/>
RCL RCL Series	30W 30W 45W 45W 60W 60W	(blank) 120-277V	40K 4000K 50K 5000K	WH White	D10 0-10V Dimmable

DLC Model NO.

SYSTEM WATTS	VOLTAGE	CCT	Dimmable	DLC NO.	DLC Classification
30W	120-277V	4000K	YES	MCP0330W27V40K[D,B,W][Blank,M]DPG	Premium
		5000K	YES	MCP0330W27V50K[D,B,W][Blank,M]DPG	Premium
45W	120-277V	4000K	YES	MCP0345W27V40K[D,B,W][Blank,M]DPG	Premium
		5000K	YES	MCP0345W27V50K[D,B,W][Blank,M]DPG	Premium
60W	120-277V	4000K	YES	MCP0360W27V40K[D,B,W][Blank,M]DPG	Premium
		5000K	YES	MCP0360W27V50K[D,B,W][Blank,M]DPG	Premium