

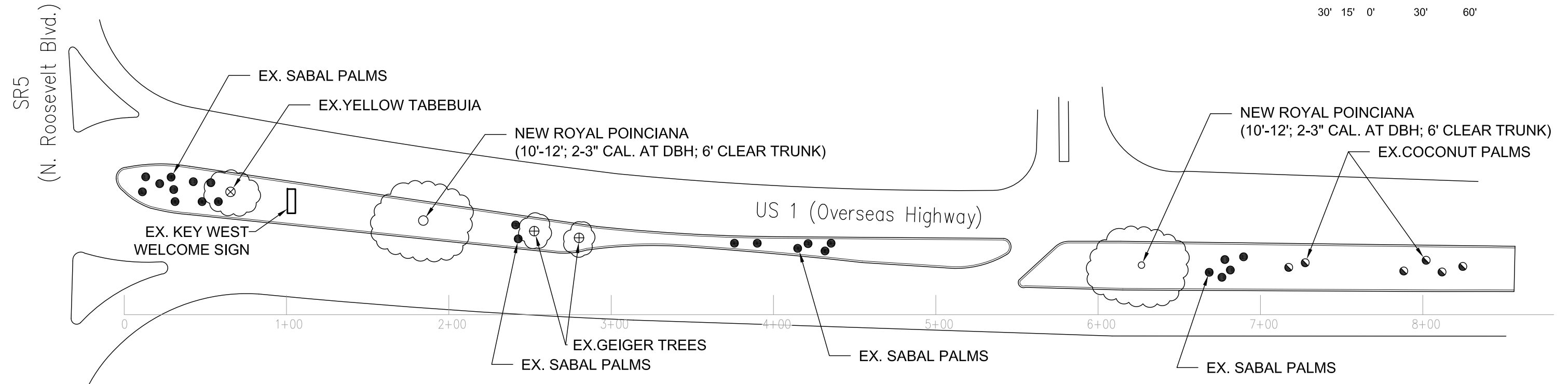
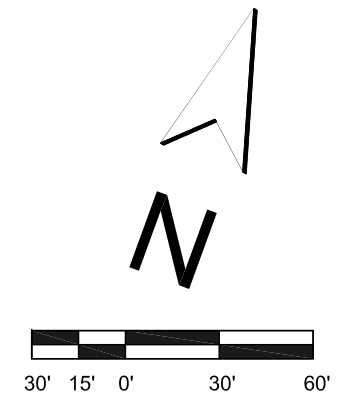
- NOTES:
1. EX. SABAL PALMS TO BE TRIMMED/CLEAN UP.
 2. EX. GEIGER TREES ARE STRESSED AND SHOULD HAVE NUTRIENT APPLICATION AND RECEIVE BEETLE TREATMENT.

OVERALL SITE PLAN

HWY US 1 - TRIANGLE INTERSECTION LANDSCAPE IMPROVEMENTS

CONTENTS

- SHEET 1 - OVERALL SITE PLAN
- SHEET 2 - ROYAL POINCIANA TREE IMPROVEMENTS
- SHEET 3 - SHRUBS / GROUNDCOVER IMPROVEMENTS - WEST
- SHEET 4 - SHRUBS / GROUNDCOVER IMPROVEMENTS - EAST

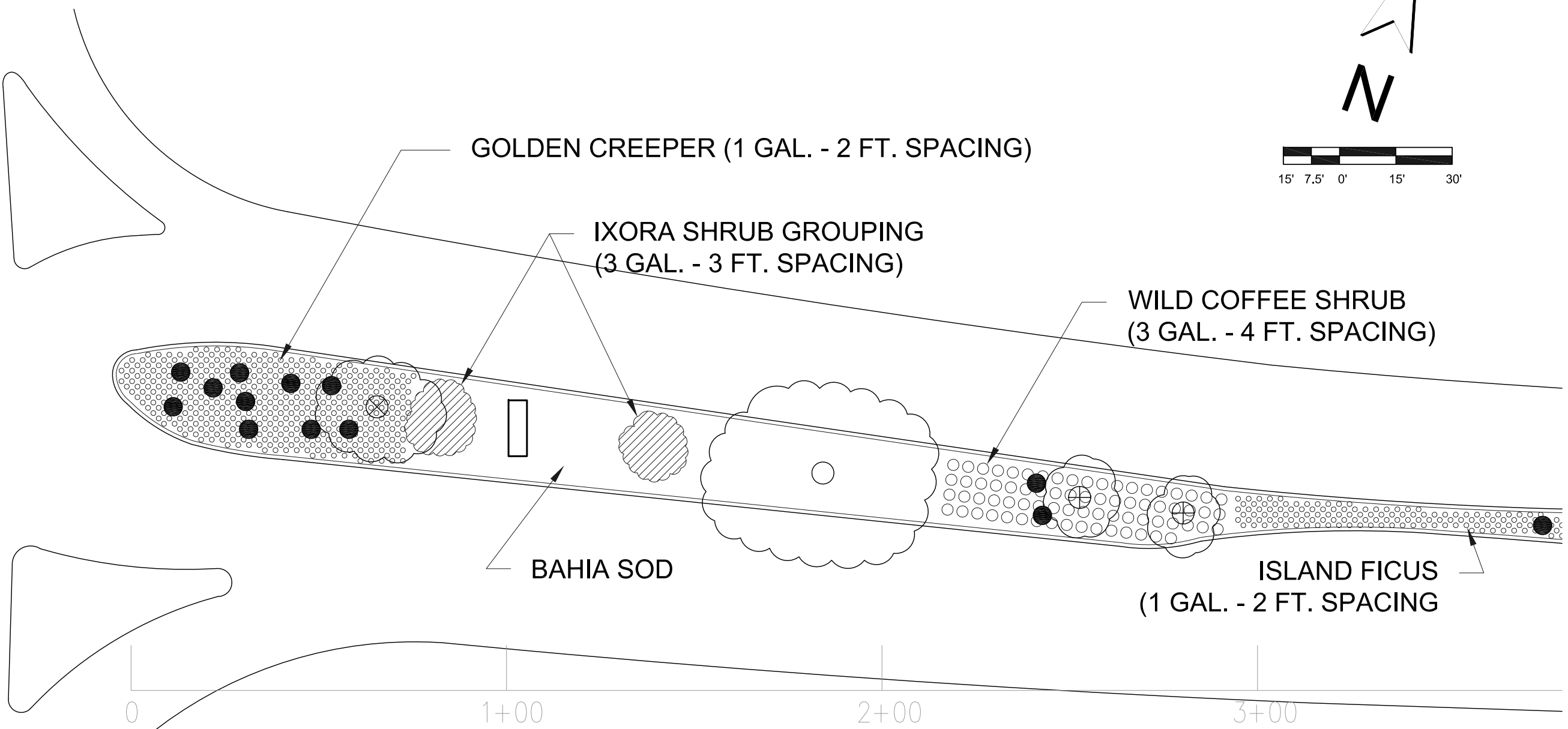
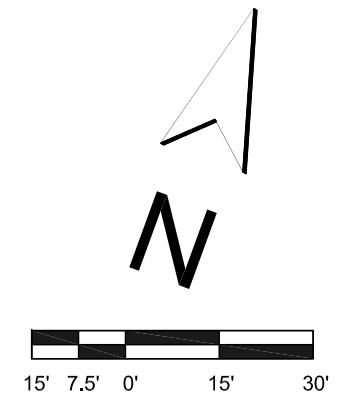


- NOTES:
1. EX. SABAL PALMS TO BE TRIMMED/CLEAN UP.
 2. EX. GEIGER TREES ARE STRESSED AND SHOULD HAVE NUTRIENT APPLICATION AND RECEIVE BEETLE TREATMENT.

ROYAL POINCIANA TREE
IMPROVEMENTS

**HWY US 1 - TRIANGLE INTERSECTION
LANDSCAPE IMPROVEMENTS**

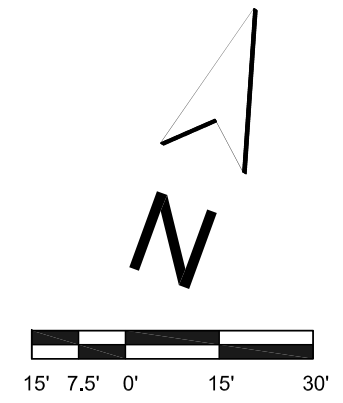
SR5
(N. Roosevelt Blvd.)



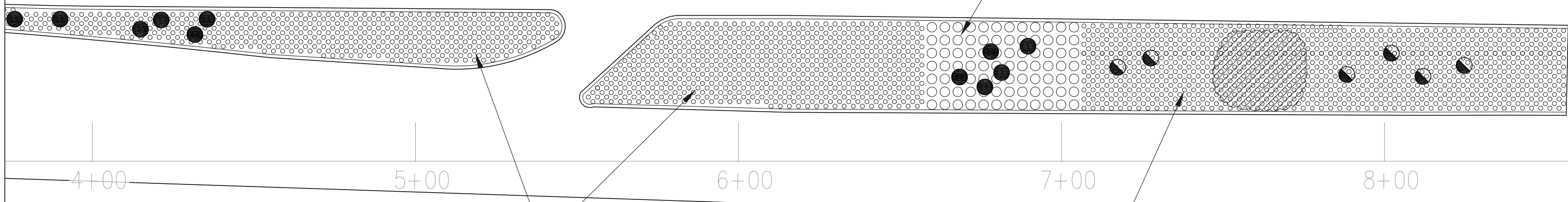
**SHRUBS / GROUNDCOVER
IMPROVEMENTS - WEST**

- NOTES:
- 1. ALL SHRUBS AND GROUNDCOVER TO BE TRIMMED TO MAINTAIN LOW PROFILE TO MINIMIZE TRAFFIC SIGHT ISSUES.
 - 2. NUMBER OF PLANTS SHALL BE BASED ON SPACING COVERAGE OVER DESIGNATED PLANTING AREAS..

**HWY US 1 - TRIANGLE INTERSECTION
LANDSCAPE IMPROVEMENTS**



US 1 (Overseas Highway)



ISLAND FICUS
(1 GAL. - 2 FT. SPACING)

WILD COFFEE SHRUB
(3 GAL. - 4 FT. SPACING)

GOLDEN CREEPER
(1 GAL. - 2 FT. SPACING)

SHRUBS / GROUNDCOVER
IMPROVEMENTS -EAST

- NOTES:
1. ALL SHRUBS AND GROUNDCOVER TO BE TRIMMED TO MAINTAIN LOW PROFILE TO MINIMIZE TRAFFIC SIGHT ISSUES.
2. NUMBER OF PLANTS SHALL BE BASED ON SPACING COVERAGE OVER DESIGNATED PLANTING AREAS..

HWY US 1 - TRIANGLE INTERSECTION
LANDSCAPE IMPROVEMENTS