

450F

Backhoe Loader



Engine

Engine Model	Cat® C4.4 ACERT™	
Rated Net Power – SAE J1349	95 kW	127 hp
Rated Net Power – ISO 9249	96 kW	128 hp

Weights

Operating Weight – Nominal	10 950 kg	24,141 lb
Operating Weight – Maximum	12 300 kg	27,115 lb

Backhoe

Dig Depth – Standard	5260 mm	17'3"
Dig Depth – E-Stick Extended	6501 mm	21'4"

Features

Industry Leading Cab

Standard air suspension seat, extra legroom and ergonomic joystick controls make you more comfortable for a more productive work day.

Superior Power

Increased horsepower delivers greater pushing power, increased aggressiveness in hard bank loading and faster roading and hill climbing.

Load Sensing Hydraulics

New electronic pump control provides better pump response for improved hoe and loader productivity, performance and power management.

Ride Control

Standard Cat Ride Control provides a comfortable ride at all speeds, both on the job site and on the highway. System is designed to provide an improved ride whether the bucket is full or empty.

Power Train

The Cat C4.4 engine meets U.S. EPA Tier 4 Interim and EU Stage IIIB emission standards. Includes a long life diesel particulate filter and increased fuel efficiency.

Contents

Operator Station.....	4
Power Train.....	6
Hydraulics	7
Backhoe Performance.....	8
Loader Performance.....	8
Work Tools.....	9
Serviceability.....	10
Customer Support.....	10
Specifications.....	11
Standard and Optional Equipment	19





Experience the difference of a Cat Backhoe Loader. Spacious operator station features ergonomic joystick controls, ample legroom and an air suspension seat to keep you comfortable all day long. The Cat 450F is a powerful machine that meets performance targets through loader and backhoe productivity. Maneuverable and manageable on the job site, the 450F helps you get more done to improve your bottom line.

Operator Station

Spacious working environment for all day comfort.



Joystick Controls

Ergonomic excavator-style joystick controls provide precise control with low effort. Thumb rollers provide convenient, fingertip control of auxiliary functions, eliminating floor mounted foot pedals.



Superior Comfort

The ergonomic, automotive style operator station helps you work comfortably and productively all day long. Select the configuration that meets your needs – Canopy or Deluxe Cab with air conditioning. Features include:

- Adjustable air suspension seat (standard)
- Excellent visibility over the hood
- Easy-to-read gauge cluster
- Ample legroom
- Automatic Engine Speed Control to conserve fuel
- Storage compartments for tools and belongings

Ride Control

The standard Ride Control System smoothes the ride in all conditions, including load and carry, highway roading or simply moving around the job site. This results in increased operator comfort and improved material retention and facilitates a reduction in operator fatigue.

Pattern Selector

The pattern selector switch, located in the cab, lets you change from an excavator to a backhoe control pattern simply by pressing a button. This lets you use the pattern you are most comfortable with so you can be more productive. (Standard on pilot control machines.)



Power Train

Built for performance, power and fuel efficiency.



Cat Engine

The Cat C4.4 ACERT engine provides cleaner, quieter operation while delivering superior performance and durability. The engine meets U.S. EPA Tier 4 Interim and EU Stage IIIB emission requirements. The engine also features:

- Passive regeneration system requiring no operator interaction
- Long life diesel particulate filter
- Improved fuel efficiency
- Increased horsepower delivers greater pushing power, increased aggressiveness in hard bank loading and faster roading

Transmission

The standard auto-shift transmission matches gear with grade and load conditions. At the touch of a switch, manual mode gives the operator control over gear selection, as a power shift transmission.

- Hydraulic proportional control valves deliver smooth speed and directional shifts.
- Standard Four Wheel Drive improves mobility and loader performance in poor underfoot conditions and can be activated on-the-go.
- Maximum roading speed of 40 km/h (25 mph) improves travel time between job sites.

Brake Mode Selector

Brake mode selector switch is standard on the 450F and has three positions: two wheel drive, two wheel drive with all wheel braking and four wheel drive. Two wheel drive with all wheel braking provides better tire life while roading and engages the front axle when brakes are applied for improved braking performance.



Hydraulics

Load-sensing system matches power to demand.

Powerful Hydraulic System

The load-sensing, closed center hydraulic system matches pressure and flow to the job demands. Whether you're in full trenching mode or digging around delicate services, you are in control. In applications such as production trenching where speed is important, the system will provide the flow needed to get the job done quickly and efficiently. New electronic pump torque limiter delivers improved power management and hydraulic performance. The load-sensing hydraulic system also delivers:

- Better fuel efficiency
- Quieter operation
- Reduced wear on components
- Cooler hydraulic temperatures
- Full dig and lift forces at any engine speed



Backhoe Performance

Superior digging forces.

Loader Performance

Strong lift and breakout.

Single Tilt Loader Linkage

Single tilt loader linkage features strong lift and breakout forces for solid performance in backfilling and truck loading applications with pin-on buckets.

Return-to-Dig

The return-to-dig system reduces loading cycle times by bringing the loader bucket back to the dig position with an easy pull of the lever. By the time the loader bucket is at ground level, the bucket is angled correctly for the next load or cut.

Boom

The excavator-style boom is built for optimum performance and durability. The curved design provides added clearance when digging over obstacles or loading trucks. The narrow boom enhances the viewing area to the bucket and the trench throughout the operating range. More robust swing casting and double clevis design improves durability and reliability.

Stick

Serrated edges on the stick provide improved material clamping for clearing and demolition applications. The optional extendible stick (E-stick) increases reach and dig depth by approximately 1.2 m (4 ft).

Thumbs

Thumb mounting provisions are standard on every Cat Backhoe Loader for added machine versatility. Cat hydraulic thumbs are available for increased versatility. Mechanical thumbs are also available through your Cat dealer.





Work Tools

Do more jobs with one machine.

Backhoe Work Tools

Increase the versatility of your machine with the large selection of backhoe attachments:

- Buckets – Heavy Duty and Ditch Cleaning
- Hammers
- Thumbs (mechanical and hydraulic)
- Vibratory Plate Compactors
- Quick Couplers

Loader Work Tools

A wide range of loader attachments is available including:

- Buckets – General Purpose and Multi Purpose
- Flip Over Forks

Lift Eyes

Integral lifting eyes are a standard feature, one on the backhoe linkage and two lifting eyes on the rear of every loader bucket.

Backhoe Quick Coupler

Quick couplers allow for quick attachment of buckets and other work tools.

Serviceability

Easy maintenance helps keep your machine working.



Minimize Your Downtime

Convenient service features makes maintenance easy, reducing your downtime:

- Tilt up hood provides easy, convenient access to all engine check points from the left side of the machine
- Electronic control module stores fault codes for easy, efficient troubleshooting and maximum machine uptime
- Cat Product Link™ system (optional) provides remote reporting of machine location and operating system parameters

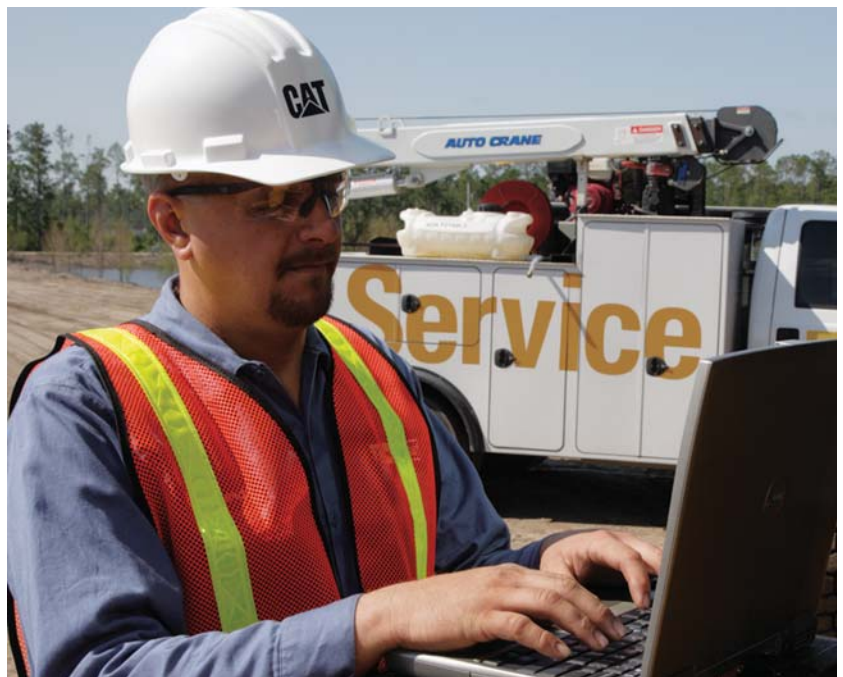
Customer Support

Unmatched support makes the difference.

Renowned Dealer Support

From helping you choose the right machine to knowledgeable ongoing support, Cat dealers provide the best in sales and service.

- Preventive maintenance programs and guaranteed maintenance contracts
- Best-in-class parts availability
- Operator training to help boost your profits
- Genuine Cat Remanufactured parts



Engine

Engine Model	Cat C4.4 ACERT	
Gross Power		
SAE J1995	107 kW	144 hp
ISO 14396	106 kW	142 hp
Rated Net Power @ 2,200 rpm		
SAE J1349	95 kW	127 hp
ISO 9249	96 kW	128 hp
EEC 80/1269	96 kW	128 hp
Bore	105 mm	4.13 in
Stroke	127 mm	5 in
Displacement	4.4 L	268 in ³
Net Torque Rise @ 1,400 rpm – SAE J1995	31%	
Net Peak Torque @ 1,400 rpm – SAE J1329	536 N·m	396 lb-ft

- Engine meets U.S. EPA Tier 4 Interim/EU Stage IIIB emission standards.

Weights*

Operating Weight – Nominal	10 950 kg	24,141 lb
Operating Weight – Maximum	12 300 kg	27,115 lb
Cab, ROPS/FOPS	252 kg	556 lb
Air Conditioning	71 kg	157 lb
MP Bucket (1.1 m ³ /1.5 yd ³) with Fold-Over Forks	35 kg	78 lb
MP Bucket (1.1 m ³ /1.5 yd ³) without Fold-Over Forks	–125 kg	–276 lb
Extendible Stick	285 kg	628 lb

* Specifications shown are for machine equipped with 1.34 m³ (1.75 yd³) general purpose loader bucket, 610 mm (24 in) heavy duty backhoe bucket, 998 kg (2,200 lb) counterweight, 80 kg (176 lb) operator and full fuel tank.

Transmission

AutoShift Transmission – Standard		
Forward – 1st	6 km/h	3.7 mph
Forward – 2nd	9.6 km/h	6 mph
Forward – 3rd	20 km/h	12 mph
Forward – 4th	27 km/h	17 mph
Forward – 5th	40 km/h	25 mph
Reverse – 1st	6 km/h	3.7 mph
Reverse – 2nd	13 km/h	7.8 mph
Reverse – 3rd	27 km/h	17 mph

Axle Ratings

Front Axle, 4WD		
Static	22 944 kg	50,582 lb
Dynamic	9178 kg	20,233 lb
Rear Axle		
Static	23 250 kg	51,257 lb
Dynamic	9300 kg	20,503 lb

- 4WD axles are pendulum mounted and permanently sealed and lubricated, requiring no daily maintenance. Also features double-acting steering cylinder with 52° steering angle for increased maneuverability.

Hydraulic System

Type	Closed Center	
Pump Type	Variable Flow, Axial Piston	
Pump Capacity @ 2,200 rpm	190 L/min	50 gal/min
System Pressure – Backhoe	26 200 kPa	3,800 psi
System Pressure – Loader	24 483 kPa	3,550 psi

450F Specifications

Steering

Type	Ackerman	
Power Steering	Hydrostatic	
Bore	85 mm	3.35 in
Stroke	236 mm	9.29 in
Rod Diameter	42 mm	1.65 in
Axle Oscillation	10°	
Turning Circle – 4WD (inner wheel not braked)		
Outside, Front Wheels	8.36 m	27'5"
Outside, Widest Loading Bucket	11.18 m	36'8"

Service Refill Capacities

Cooling System with Air Conditioning	20 L	5.3 gal
Fuel Tank	165 L	44 gal
Engine Oil with Filter	8.5 L	2.2 gal
Transmission – Auto Shift	21 L	5.6 gal
Rear Axle Planetaries	19 L	5 gal
Front Axle, 4WD	11 L	2.9 gal
Front Axle, Planetaries	0.8 L	0.2 gal
Hydraulic System	100 L	26.5 gal
Hydraulic Tank	50 L	13.2 gal

- Requires ultra-low sulfur fuel \leq 15 ppm fuel sulfur

Tires

Comes standard with Firestone front/rear tires:

- 12-19.5 12 ply front tires
- 21L-24 16 ply rear tires

Operating Specifications – Backhoe

Turning Circle: Outside, Front Wheels	8.36 m	27'5"
Turning Circle: Outside, Widest Loading Bucket	11.18 m	36'8"

- ISO 5010
- 4WD (inner wheel not braked)

Engine Features

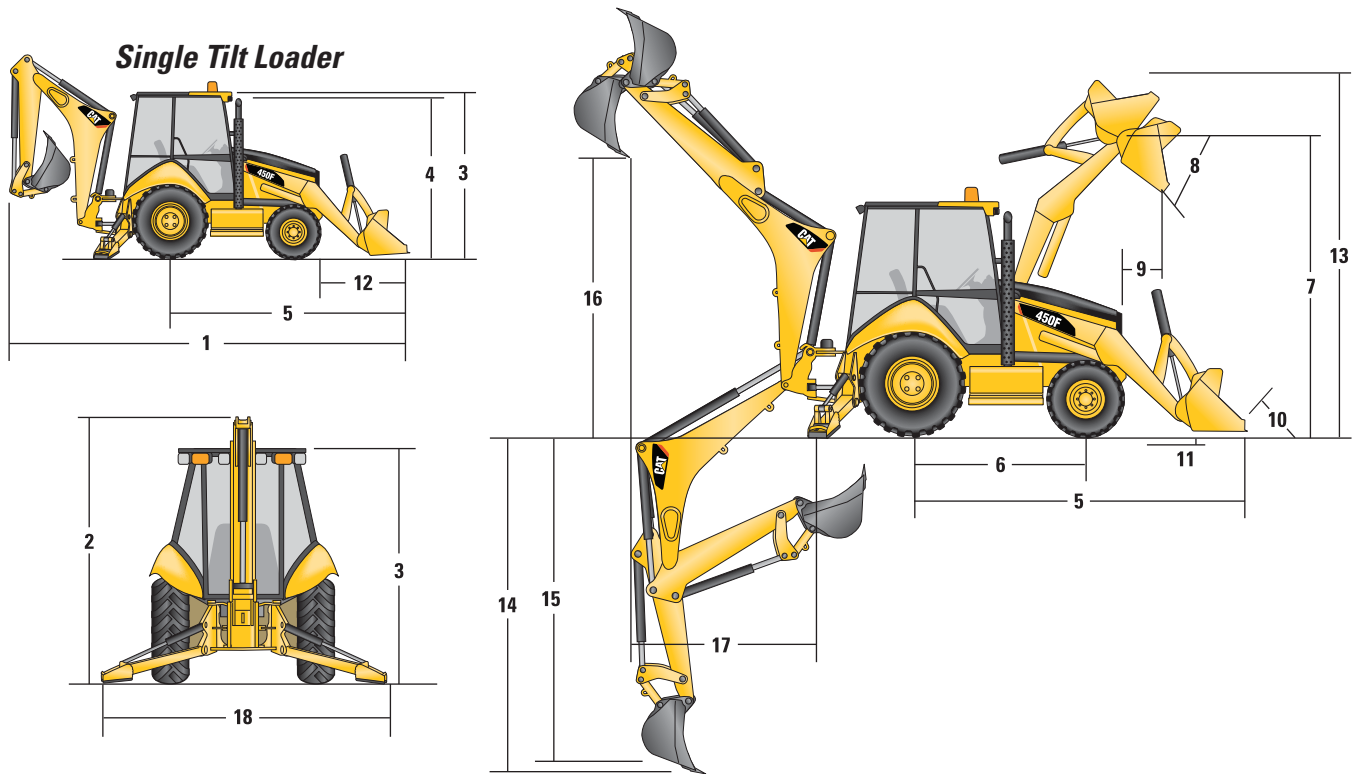
- Regeneration is passive and does not require any input from the operator or disrupt work.
- Three-ring pistons made of lightweight, silicon/aluminum alloy for strength and maximum thermal conductivity.
- Forged chrome/molybdenum-steel crankshaft with crankshaft with either induction hardened or nitrocarburized journals.
- Front and rear crankshaft oil seals are “lip” type Viton and PTFE designs featuring an integral dust lip.
- Heat resistant, silicone-chrome steel intake and STELLITE-faced exhaust valves provide long life.
- Cylinder block is high strength, cast iron alloy of deep skirt, monobloc design for increased strength and long life.
- Cylinder head is high strength, cast iron alloy construction with extra duty wall and deck thickness. Intake and exhaust ports are precision cast to promote optimum gas flow.
- Direct injection fuel system provides accurate fuel delivery; remote mounted electric lift pump improves serviceability.
- Dry-type axial seal air cleaner with integral precleaner, automatic dust ejection system, and filter condition indicator.
- Direct electric, 12-volt starting and charging system with 880 CCA Group 31 maintenance free battery.
- Standard glow plug starting aid system for efficient cold weather starting.
- High contact ratio/gear train, peripheral fixed isolation top cover and open deck block design reduce bare engine noise.
- Higher low end torque for better engine/machine performance.
- Engine is equipped with electric fuel priming pump.

Brakes

Features:

- Brakes meet the following standards: SAE J1473 and ISO 3450 requirements.
- Self-adjusting, completely enclosed and sealed.
- Foot operated brake pedals can be interlocked for roading.
- Parking/secondary brakes are independent of the service brake system. Parking brake is mechanically applied through an adjustable hand lever located on the right console.

Machine Dimensions



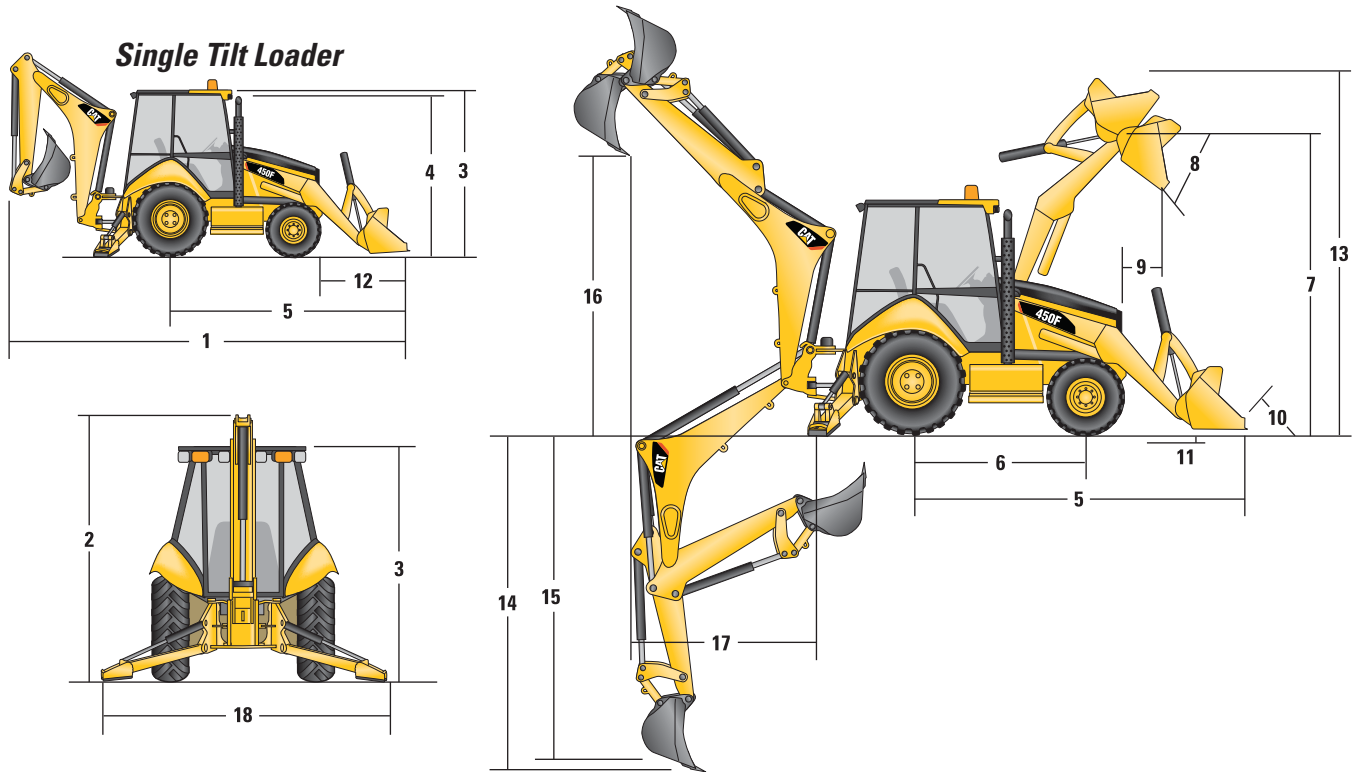
Single Tilt Loader

	General Purpose (1.34 m ³ /1.75 yd ³)		Multi Purpose (1.15 m ³ /1.50 yd ³)		Multi Purpose with Forks (1.15 m ³ /1.50 yd ³)	
	mm	ft/in	mm	ft/in	mm	ft/in
1 Overall Length (loader on ground)	7913 mm	26'0"	7786 mm	25'7"	7786 mm	25'7"
Overall Transport Length	7916 mm	26'0"	7826 mm	25'7"	7826 mm	25'7"
2 Overall Transport Height – Standard Stick	4143 mm	13'7"	4143 mm	13'7"	4143 mm	13'7"
Overall Transport Height – Extendible Stick	4159 mm	13'8"	4159 mm	13'8"	4159 mm	13'8"
Overall Width	2436 mm	8'0"	2436 mm	8'0"	2436 mm	8'0"
3 Height to Top of Cab/Canopy	2874 mm	9'5"	2874 mm	9'5"	2874 mm	9'5"
4 Height to Top of Exhaust Stack	2800 mm	9'2"	2800 mm	9'2"	2800 mm	9'2"
Height to Loader Hinge Pin (transport)	469 mm	1'6"	481 mm	1'7"	481 mm	1'7"
Ground Clearance (minimum)	322 mm	1'1"	322 mm	1'1"	322 mm	1'1"
5 Rear Axle Centerline to Front Grill	4494 mm	14'9"	4367 mm	14'4"	4367 mm	14'4"
Front Wheel Tread Gauge	2016 mm	6'7"	2016 mm	6'7"	2016 mm	6'7"
Rear Wheel Tread Gauge	1814 mm	5'11"	1814 mm	5'11"	1814 mm	5'11"
6 Wheelbase AWD	2200 mm	7'3"	2200 mm	7'3"	2200 mm	7'3"

Dimensions and performance specifications shown are for machines equipped with 15-19.5 12 ply front tires, 21K-24 16 ply rear tires, ROPS canopy, standard stick with 610 mm (24 in) standard duty bucket, 1.34 m³ (1.75 yd³) general purpose loader bucket and standard equipment unless otherwise specified.

450F Specifications

Loader Bucket Dimensions and Performance

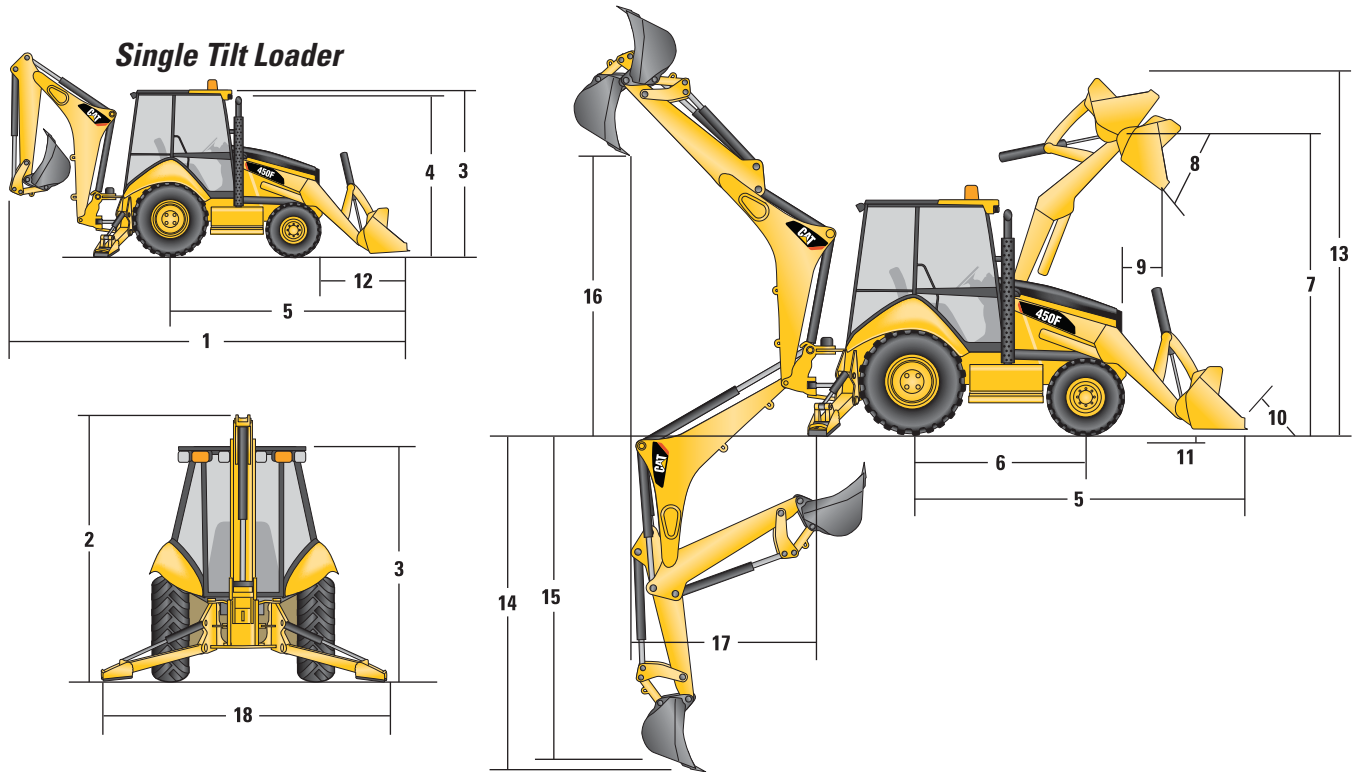


Single Tilt Loader

	General Purpose (1.34 m ³ /1.75 yd ³)		Multi Purpose (1.15 m ³ /1.50 yd ³)		Multi Purpose with Forks (1.15 m ³ /1.50 yd ³)	
Capacity (SAE rated)	1.34 m ³	1.75 yd ³	1.15 m ³	1.50 yd ³	1.15 m ³	1.50 yd ³
Overall Bucket Width	2434 mm	96"	2425 mm	95"	2425 mm	95"
Lift Capacity at Maximum Height	3570 kg	7,871 lb	3843 kg	8,473 lb	3708 kg	8,174 lb
Breakout Force	50 600 N	11,375 lbf	60 889 N	13,688 lbf	60 000 N	13,488 lbf
7 Maximum Hinge Pin Height	3501 mm	11'6"	3501 mm	11'6"	3501 mm	11'6"
8 Dump Angle at Full Height		43°		43°		43°
Dump Height at Maximum Angle	2666 mm	8'9"	2759 mm	9'1"	2759 mm	9'1"
9 Dump Reach at Maximum Angle	850 mm	2'9"	779 mm	2'7"	779 mm	2'7"
10 Maximum Bucket Rollback at Ground Level		40°		40°		40°
11 Digging Depth	146 mm	6"	127 mm	5"	127 mm	5"
Maximum Grading Angle		106°		109°		109°
Width of Dozer Cutting Edge		N/A	2406 mm	7'11"	2406 mm	7'11"
12 Grill to Bucket Cutting Edge, Carry Position	1665 mm	5'6"	1572 mm	5'2"	1572 mm	5'2"
13 Maximum Operating Height	4528 mm	14'10"	4561 mm	15'0"	4881 mm	16'0"
Jaw Opening Maximum		N/A	864 mm	2'10"	864 mm	2'10"
Bucket Jaw Clamping Force		N/A	39 800 N	8,947 lbf	39 800 N	8,947 lbf
Weight (does not include teeth or forks)	1043 kg	2,300 lb	957 kg	2,111 lb	1148 kg	2,530 lb

Dimensions and performance specifications shown are for machines equipped with 15-19.5 12 ply front tires, 21K-24 16 ply rear tires, ROPS canopy, standard stick with 610 mm (24 in) standard duty bucket, 1.34 m³ (1.75 yd³) general purpose loader bucket and standard equipment unless otherwise specified.

Backhoe Dimensions and Performance



	Standard Stick		E-Stick Retracted		E-Stick Extended	
14 Digging Depth, SAE (max.)	5260 mm	17'3"	5260 mm	17'3"	6501 mm	21'4"
15 Digging Depth, 610 mm (2 ft) Flat Bottom	5223 mm	17'2"	5223 mm	17'2"	6466 mm	21'3"
Reach from Rear Axle Centerline at Ground Line	7955 mm	26'1"	7955 mm	26'1"	9137 mm	30'0"
16 Reach from Swing Pivot at Ground Line	6704 mm	22'0"	6704 mm	22'0"	7886 mm	25'10"
Maximum Operating Height	6531 mm	21'5"	6531 mm	21'5"	7375 mm	24'2"
Loading Height	4440 mm	14'7"	4440 mm	14'7"	5194 mm	17'0"
17 Loading Reach	2100 mm	6'11"	2100 mm	6'11"	3112 mm	10'3"
Swing Arc	175°		175°		175°	
Bucket Rotation	198°		198°		198°	
18 Stabilizer Spread, Operating Position (outside)	4055 mm	13'4"	4055 mm	13'4"	4055 mm	13'4"
Stabilizer Spread, Transport Position	2451 mm	8'0"	2451 mm	8'0"	2451 mm	8'0"
Bucket Dig Force	78 938 N	17,746 lbf	78 938 N	17,746 lbf	78 938 N	17,746 lbf
Stick Dig Force	52 401 N	11,780 lbf	53 109 N	11,939 lbf	40 074 N	9,009 lbf

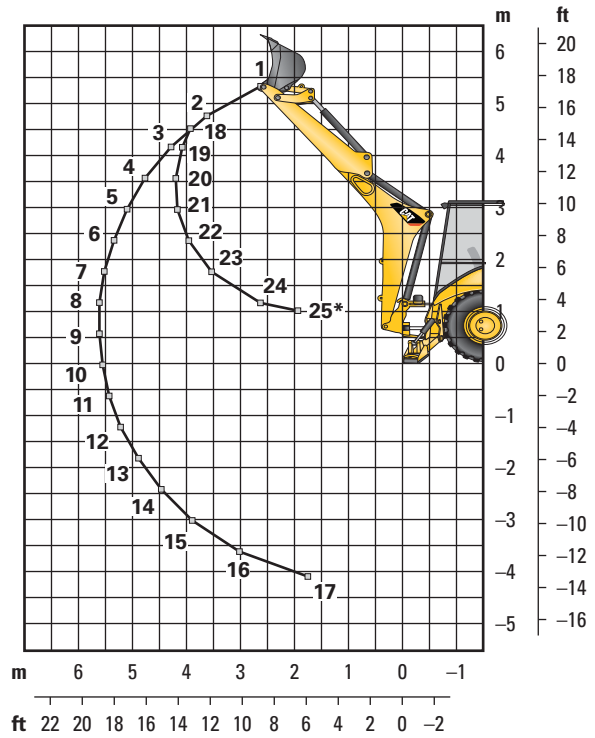
Dimensions and performance specifications shown are for machines equipped with 15-19.5 12 ply front tires, 21K-24 16 ply rear tires, ROPS canopy, standard stick with 610 mm (24 in) standard duty bucket, 1.34 m³ (1.75 yd³) general purpose loader bucket and standard equipment unless otherwise specified.

450F Specifications

Backhoe Lift Capacity

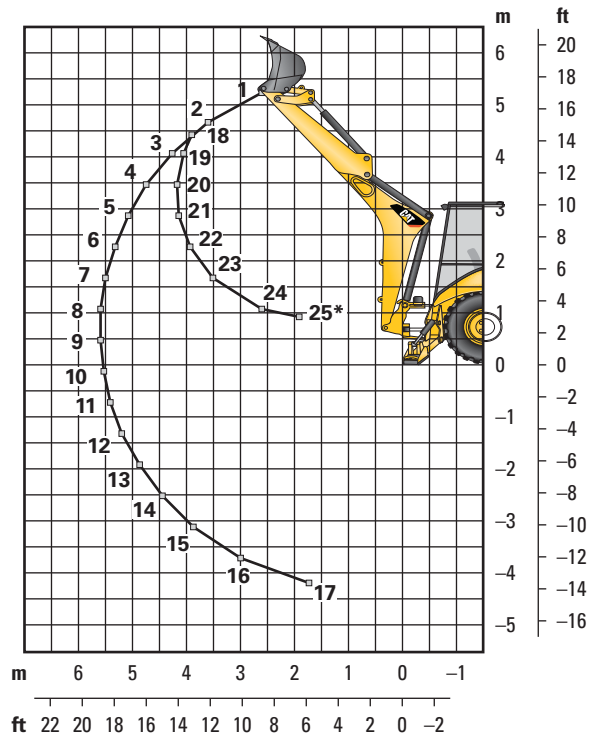
Cat 450F Standard Stick

Boom Lifting		
	kg	lb
1	2658	5,860
2	2591	5,711
3	2477	5,462
4	2361	5,205
5	2249	4,959
6	2144	4,727
7	2046	4,511
8	1954	4,308
9	1868	4,118
10	1786	3,938
11	1709	3,767
12	1635	3,604
13	1563	3,445
14	1491	3,287
15	1416	3,121
16	1325	2,921
17	1157	2,551
Stick Lifting		
	kg	lb
18	2580	5,689
19	2928	6,455
20	3287	7,247
21	3539	7,802
22	3811	8,401
23	4304	9,489
24	6805	15,003
25	9909	21,844



Cat 450F Extendible Stick – Retracted

Boom Lifting		
	kg	lb
1	2493	5,496
2	2401	5,293
3	2277	5,019
4	2154	4,748
5	2037	4,491
6	1928	4,250
7	1826	4,026
8	1731	3,816
9	1641	3,618
10	1556	3,431
11	1476	3,253
12	1398	3,081
13	1321	2,912
14	1243	2,741
15	1159	2,556
16	1051	2,317
17	821	1,811
Stick Lifting		
	kg	lb
18	2442	5,383
19	2788	6,147
20	3146	6,937
21	3397	7,488
22	3667	8,084
23	4158	9,167
24	6653	14,667
25	9663	21,303



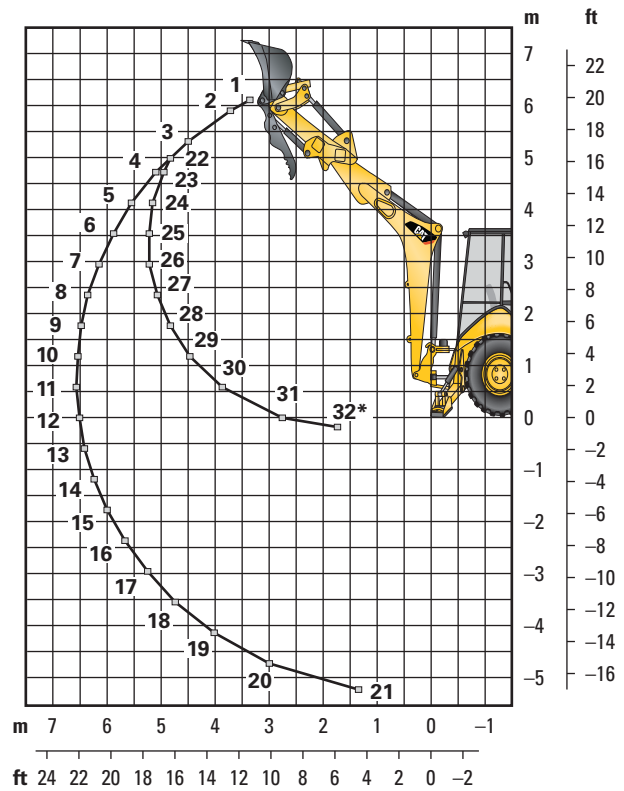
Lift Capacities are over-end values. Machine equipped with 4WD, OROPS, 1.34 m³ (1.75 yd³) general purpose loader bucket, 610 mm (24") heavy duty backhoe bucket and 1000 kg (2,200 lb) counterweight.

*Indicates lift capacity is stability limited.

Backhoe Lift Capacity

Cat 450F Extendible Stick – Extended

Boom Lifting	kg	lb
1	1489	3,283
2	1532	3,378
3	1571	3,464
4	1558	3,434
5	1524	3,359
6	1481	3,265
7	1435	3,163
8	1387	3,058
9	1340	2,954
10	1293	2,851
11	1248	2,752
12	1205	2,657
13	1164	2,566
14	1124	2,478
15	1087	2,396
16	1052	2,318
17	1019	2,247
18	991	2,185
19	971	2,140
20	973	2,144
21	1183	2,607
Stick Lifting	kg	lb
22	1327	2,925
23	1456	3,210
24	1664	3,669
25	1812	3,995
26	1932	4,259
27	2048	4,514
28	2184	4,815
29	2385	5,258
30	2778	6,125
31	4493	9,906
32	9749	21,492



Lift Capacities are over-end values. Machine equipped with 4WD, OROPS, 1.34 m³ (1.75 yd³) general purpose loader bucket, 610 mm (24") heavy duty backhoe bucket and 1000 kg (2,200 lb) counterweight.

*Indicates lift capacity is stability limited.

450F Specifications

Backhoe Buckets

With weld on adapters and pin-on teeth

Standard Duty

Width		Rated Capacity		Weight		No. of Teeth
mm	in	L	ft ³	kg	lb	
305	12	80	2.8	111	245	3
457	18	120	4.2	122	268	4
610	24	180	6.4	141	311	5
762	30	230	8.1	157	345	5
914	36	290	10.2	176	388	6

Heavy Duty

Width		Rated Capacity		Weight		No. of Teeth
mm	in	L	ft ³	kg	lb	
457	18	176	6.2	207	457	3
610	24	270	9.5	247	547	4
762	30	350	12.4	278	612	4
914	36	440	15.4	320	705	6

Ditch Cleaning

Width		Rated Capacity		Weight		No. of Teeth
mm	in	L	ft ³	kg	lb	
1219	48	460	16.2	262	578	N/A
1524	60	570	20.3	303	668	N/A

Standard Equipment

Standard equipment may vary. Consult your Cat dealer for details.

- Air cleaner
- Alarm, back-up
- Alternator, 150 amp
- Audible system fault alarm
- Automatic Engine Speed Control (AESC)
- Battery, two maintenance-free, 880 CCA
- Battery disconnect switch
- Boom transport lock
- Brace, lift cylinder
- Brake, secondary parking
- Brakes, hydraulically boosted, oil disc, dual pedals, interlocking
- Bucket level indicator
- Canopy, ROPS/FOPS
- Cat cushion swing system
- Coat hook
- Coolant/antifreeze, extended life
- Cooling package, single plane
- Counterweight, bumper
- Diesel particulate filter, long life
- Dome light (cab only)
- Diagnostic port for engine, machine and gauge cluster Electronic Control Modules
- Differential lock
- Engine, Cat C4.4 ACERT (Direct Injection Turbocharged), meets U.S. EPA Tier 4 Interim/EU Stage IIIB emission standards
- Engine enclosure
- Fan, suction and guard
- Fast reversing shuttle, all gears
- Fenders, rear
- Filters, spin-on: fuel, engine oil, transmission oil, water separator
- Filters, bowl and cartridge: hydraulic fluid
- Floor mat
- Four Wheel Drive/Brake Mode Selector
- Gauge Cluster:
 - Gauges: coolant temperature, fuel level, tachometer
 - LCD screen: hour meter, torque converter oil temperature, hydraulic oil temperature, operator settings, service mode diagnostics
- Ground level fuel fill
- Guard, fuel tank bottom
- Guards, stabilizer
- Hammer rest
- Hazard flashers/turn signals
- Hood lock
- Hydraulic hose, XT™
- Hydraulic oil cooler
- Hydraulic valve, hydrostatic steering
- Hydraulic valves, loader 2 function
- Hydraulic valves, backhoe 5 function
- Hydraulics, load sensing with variable displacement piston pump
- Indicators: air cleaner service, water separator service, engine coolant, oil pressure, hydraulic temperature, hydraulic bypass, torque converter temperature high, remote throttle, AESC, fuel level, charging, engine warning #1, engine warning #2, action lamp, wait-to-start
- Instrument panel lights
- Joystick controls: pilot operated, excavator-style with pattern changer
- Key start/stop system
- Lights, working (4 front, 4 rear)
- Loader, self-leveling, return-to-dig and transmission disconnect switch
- Loader, single tilt
- Lunch box and drink holder
- Mirror, rearview
- One-touch low idle
- Open circuit breather
- O-ring face seal hydraulic fittings
- Pattern changer, in cab
- Power receptacle, 12 volt, 2 internal, 1 external
- Power steering, hydrostatic
- Radio ready cab
- Ride Control
- Seat belt, retractable, 51 mm (2 in)
- Stabilizer shoes, reversible
- Steering knob
- Seat, air suspension, fabric or vinyl cover, with armrest
- Starting system, glow plugs
- Steering, hydrostatic
- Storage compartment, internal
- Stop and tail lights
- Swing transport lock
- Tilt steering wheel
- Tires
- Toolbox, external, lockable
- Torque converter
- Throttle, hand and foot, electronic
- Transmission, five speed, synchromesh
- Transmission neutralizer switch
- Transport tie-downs
- Vandalism locks
- Warning horn, electric

Optional Equipment

Optional equipment may vary. Consult your Cat dealer for details.

- Cab, deluxe with air conditioning
- Cold weather fuel (–30° C/–22° F)
- Cold weather package, including additional battery, engine block heater, radiator antifreeze, cold weather fuel (–30° C/–22° F) and mounting for an ether bottle
- Fenders, front with integral steps
- Hydraulic valves, loader (3rd valve for GP, MP or Quick Coupler)
- Hydraulic valves, backhoe 6 function
- Hydraulic lines, combined function auxiliary
- Machine Security System
- Product Link
- Rotating beacon, magnetic mount
- Seat belt, 75 mm (3 in)
- Stick, extendible
- Work Tool Attachments such as buckets, flip over forks, hammers and vibratory plate compactors. See your Cat dealer for more information.

450F Backhoe Loader

For more complete information on Cat products, dealer services, and industry solutions, visit us on the web at www.cat.com

© 2013 Caterpillar Inc.
All rights reserved

Materials and specifications are subject to change without notice. Featured machines in photos may include additional equipment. See your Cat dealer for available options.

CAT, CATERPILLAR, SAFETY.CAT.COM, their respective logos, "Caterpillar Yellow" and the "Power Edge" trade dress, as well as corporate and product identity used herein, are trademarks of Caterpillar and may not be used without permission.

AEHQ6961 (01-2013)

