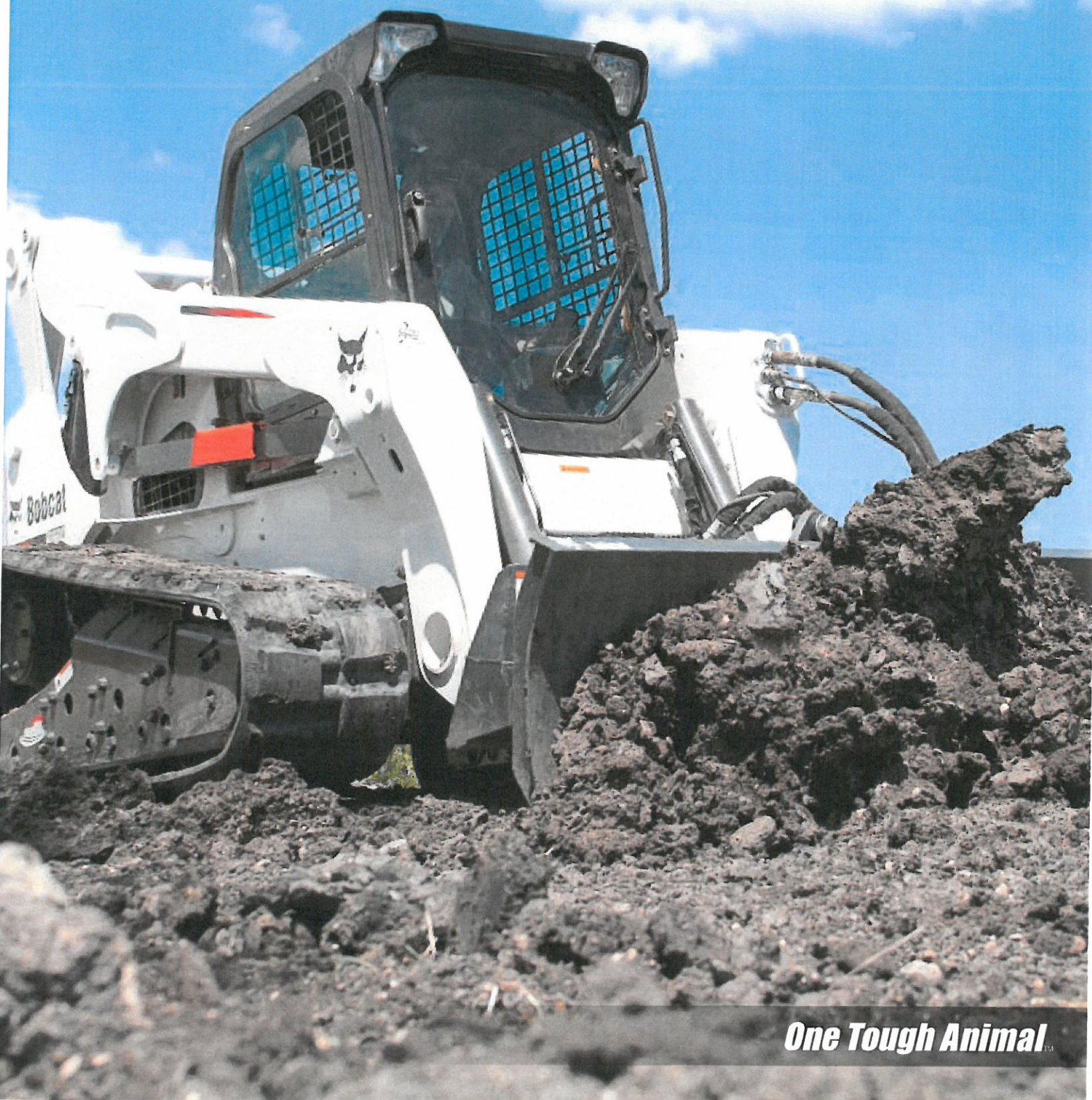




Bobcat

Compact Track Loaders



One Tough Animal



Why Compact Track Loaders?

Since inventing the world's first true compact loader in 1958, Bobcat has constantly improved on its original concept: a tough, agile and versatile compact machine that can tackle an incredible number of jobs. | Today, the innovation continues. The Bobcat® compact track loader features a superior design that outperforms other brands while maximizing your uptime and delivering unmatched comfort.



Big Results – Small Package

Compact track loaders weigh more than skid-steer loaders of the same size. Thanks to tracks, that weight is spread out over a wider area for increased flotation, minimal ground disturbance, higher pushing force and better lifting of larger loads.

Designed for Durability

Heavy-duty construction, component protection and superior design with minimal moving parts increase the service life of your loader – no matter which undercarriage you choose.

Superior Pushing Force

With more surface area in contact with the ground, direct-drive motors and a perfect balance between machine weight and horsepower, the pushing force of Bobcat compact track loaders is second to none.

Expand Your Season

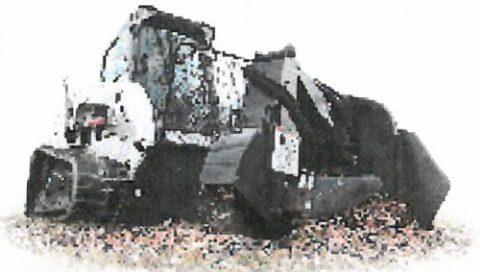
Compact track loaders have a low ground pressure that allows you to work more productively in soft, sandy, wet or muddy conditions. You could gain as much as two months of extra work per year: get on the job a month sooner in the spring, and get off the job a month later in the fall.



Low Impact

High-flotation Bobcat compact track loaders minimize damage to lawns, natural terrain and other established surfaces for fewer profit-eating surface repairs.

Great performance doesn't only come from a high horsepower engine. Bobcat loaders use the machine's design and balance to deliver more usable horsepower. We build machines with the right balance between engine and pump, plus a weight distribution that delivers powerful breakout forces and faster cycle times. If you need to work quicker, lift more and outperform the competition, Bobcat compact track loaders are the only choice.



Stronger Hydraulics

With up to 20 percent more hydraulic horsepower than K-Series Bobcat loaders, the Bobcat engine, pump, horsepower and cubic-inch displacement are configured precisely for each model's specific operating capacity. Engine horsepower and hydraulic system performance are finely tuned to run circles around other machines.

Performance

Move Faster. Finish Sooner.

Now you'll spend less time traveling across a jobsite or between jobs. Move faster – and get the job done sooner – with new two-speed for Bobcat compact track loaders. This time-saving feature boosts your top travel speed by as much as 57 percent.

Faster Cycle Times

Hydraulic pumps in Bobcat loaders are matched to cylinder size and loader lift capacity to provide fast cycle times that help you get the job done faster.

SPEED



Scan this to see the video.

Hydraulic Bucket Positioning

Optional hydraulic bucket positioning keeps your bucket level when raising lift arms, reducing spillage and allowing you to work more efficiently.

Powerful Breakout Forces

High-efficiency hydraulic pumps deliver more power matched to demand and provide better breakout forces.

More Torque

Bobcat loaders reach maximum torque at a lower rpm to minimize stalling while saving time and fuel.

Control in Your Hands

With Bobcat compact track loaders, you can feel and control the loader's drive, engine torque and tractive effort – so you can push your machine to the limit without an engine anti-stall system robbing you of power when you need it the most.



Optional non-marking multi-bar lug rubber tracks won't leave black rubber marks on hard surfaces like concrete.



Built Tougher

Forged Steel Rollers and Idlers

Triple-flange, forged steel rollers and single-flange steel idlers minimize de-tracking, improve ride, extend track life and are more durable than rubber-coated rollers.

Elevated Sprocket Design

Elevated sprockets shed mud and debris and reduce wear.

Exclusive Bobcat Tracks

The best combination of flotation and traction.

Simple Maintenance

When it's time to adjust track tension, all it takes is a common grease gun. Idlers and rollers are permanently sealed and lubricated.

Embedded Steel

Tough steel braces guide and support the track when engaging the drive sprocket. Steel-reinforced rubber tracks, designed exclusively for Bobcat, include internal steel cables for added strength.

Solid-Mounted Strength

Regardless of whether you choose standard tracks or Roller Suspension™, Bobcat compact track loaders feature a fully enclosed, solid-mounted steel undercarriage that protects components, such as hoses and drive motors, from damage. Its design minimizes moving parts, reduces required maintenance and stabilizes both the loader and work group – making it the best type of undercarriage for grading.



Bobcat

Track Advantage

Bobcat compact track loaders last longer in more demanding than any other track loader.

Choose the solid-mounted undercarriage style that best fits the work you do.

Standard Tracks

A simple, strong undercarriage design that offers consistent grading performance and lasts longer than other track systems.





environments

ROLLER
SUSPENSION

Roller Suspension

The first all-steel suspension system in the industry is available as an option on select models. It provides a new level of comfort without sacrificing durability.

- Steel leaf springs provide more comfort without utilizing flimsy plastic or rubber components, minimizing maintenance costs.
- Operate your loader in more conditions – even sand and pea rock.
- Experience a new level of comfort with reduced vibration and noise.



Scan this to see the video.

BobcatAdvantage.com/comtrack

Smart Cooling



The Bobcat cooling system is smarter because of its superior protection, dual-path cooling efficiency and exclusive SmartFAN.

Quieter Operation

Up to 30 percent quieter than ordinary cooling fans, the hydraulically powered SmartFAN senses the temperature of the machine and only turns as fast as needed. Work in extreme conditions with less concern about overheating.

More Efficient Cooling

Bobcat loaders have a patented, dual-path cooling system that draws cool, clean air from above, pulls warm air out of the engine compartment and forces it out two side vents, directing hot air away from the operator, cooling more efficiently and keeping engine

components clean. Other systems usually pull dirty air over the top of the tires or from the rear of the loader.

Protected Cooling Location

Some manufacturers still place radiators immediately inside the tailgate where the cooling package can be damaged by rebar, sticks or other items that can poke through the tailgate ventilation holes. The Bobcat radiator and hydraulic oil cooler are well-protected between the frame uprights, above the engine. This also leaves the rear of the engine freely accessible for maintenance checks.



Better cooling
in extreme conditions.



CLEAN AIR

COOL AIR

HOT AIR

Bobcat
T590

T590



Bobcat



Scan this to see the video.

BobcatAdvantage.com/comtrack



Superior Lift Arms

Your loader arms should remain rigid when you move with a load, and hydraulic hoses should be protected from the hazards of a jobsite. Bobcat knows this better than anyone. Our durable, patented lift-arm design and a choice of lift path help you meet the unique demands of your job.

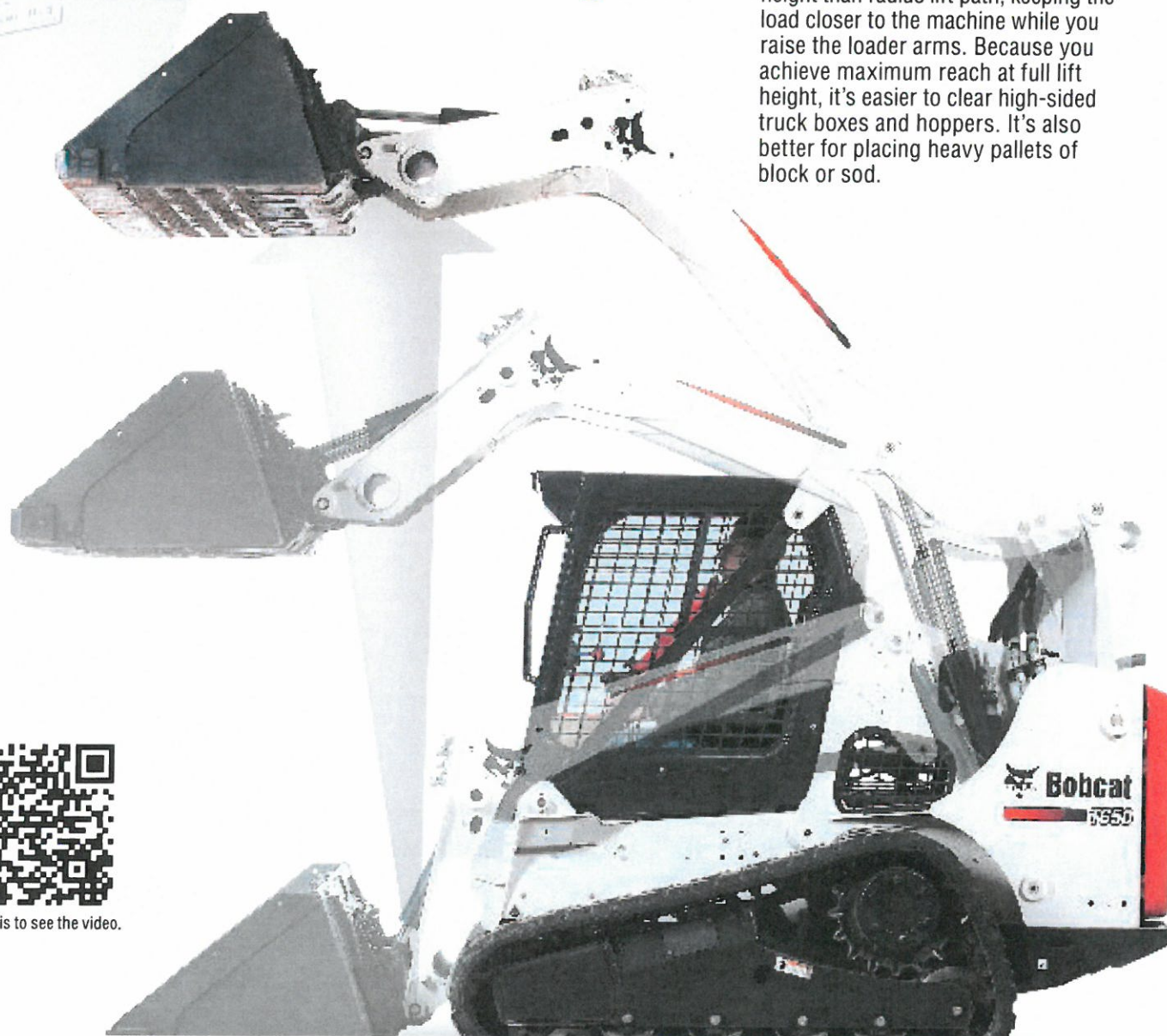
Higher lift, more capacity and reach at maximum height.

Vertical Lift Path

A vertical lift path provides higher lift capacity and more reach at full lift height than radius lift path, keeping the load closer to the machine while you raise the loader arms. Because you achieve maximum reach at full lift height, it's easier to clear high-sided truck boxes and hoppers. It's also better for placing heavy pallets of block or sod.



Scan this to see the video.



Job-Matched Lift Arms

A vertical lift path and radius lift path each have their advantages. Bobcat builds both styles to match the work you do.

Single-Plane Design

Every pin and connecting point on Bobcat lift arms are part of a single-plane design. Side-to-side movement is minimized, resulting in less wear and longer life. It also helps prevent unwanted spillage of material.

Radius Lift Path

Radius lift path provides maximum reach at truck bed height. Arm movement forms an arc. More than 80 percent of that arc delivers better reach at truck bed height. A radius lift path excels in jobs at mid-range heights, like dumping over a wall, backfilling or unloading flatbed trucks.



More
reach at
mid-range.



Deluxe Instrumentation



BobCare PM™ Maintenance Screen

Reminds you when scheduled maintenance is due to ensure you maximize your performance.



Activity Monitor Check machine usage by operator with the job clock feature.



Functional Lockouts Protect your investment from misuse or accidental use by locking out certain functions such as high-flow hydraulics and two-speed.

The new M-Series deluxe instrument panel offers you even more functionality. The 5-inch, full-color LCD screen enables monitoring of and interaction with your machine. The system can even provide information about machine performance in English, Spanish and five other languages.

Password-Protected Keyless Start

Eliminate downtime due to lost keys. Remove the risk of spare keys in the pockets of current or former employees. Reduce the chance of theft or unauthorized use. You might even reduce your insurance premiums.

Diagnostics

The easy-to-read, backlit display panel monitors 14 major loader functions and provides troubleshooting suggestions to help solve a potential problem, which helps maximize your uptime.

Attachment Operation

Deluxe instrumentation features a viewable job clock for certain attachments and the ability to make adjustments to laser-guided attachments without stepping out of the cab. You can even monitor certain attachment functions on-screen.

Other Deluxe Instrument Features

Digital time clock, user job clock, statistics for overall job and individual operators, resettable hour meter, attachment controls help menu, and multiple password settings give you added convenience and more control over your machine.

M-Series deluxe instrumentation panel is pictured here. See your dealer for details.



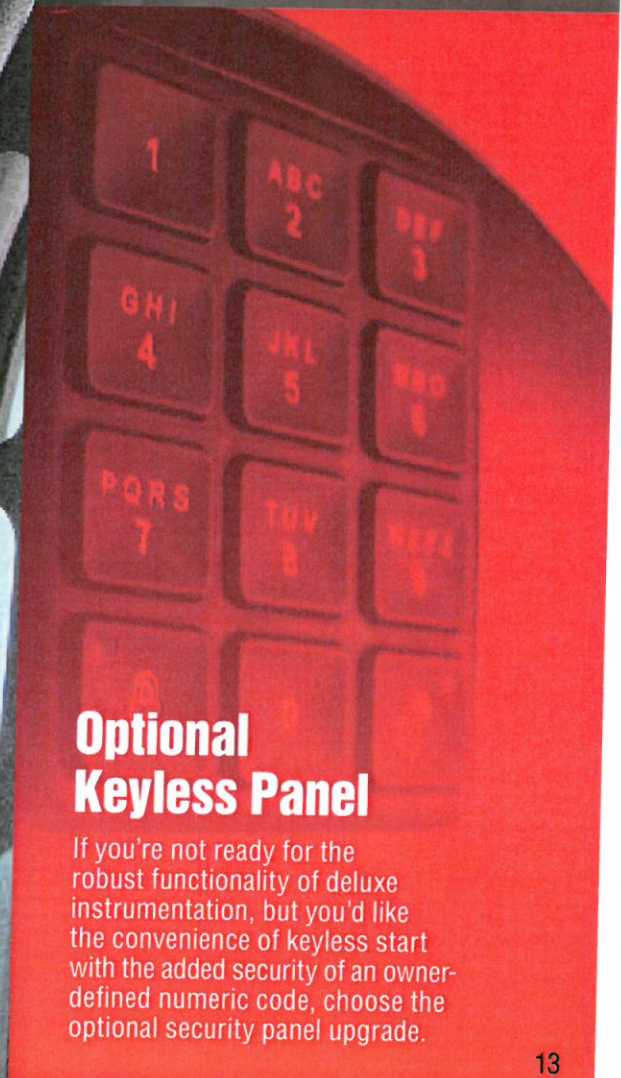
- 6 MWD
- 7 PGRS
- 8 TUV
- 9 WXYZ
- 0 →



Theft Protection

According to the National Insurance Crime Bureau, \$3 million in compact equipment is lost each day to thieves. Compact loaders are one of the most stolen pieces of compact equipment in the world.

Reduce the risk of loss due to theft or unauthorized use with the optional password-protected Bobcat deluxe instrument panel and up to eight custom keyless start codes. It may even qualify your business for reduced insurance premiums.



Optional Keyless Panel

If you're not ready for the robust functionality of deluxe instrumentation, but you'd like the convenience of keyless start with the added security of an owner-defined numeric code, choose the optional security panel upgrade.

Comfort Cab

Bobcat pays as much attention to operator comfort as we do to performance. Many comfort options found in Bobcat loaders aren't even available on other machines.

Dial Hand Throttle

Adjust your engine speed quickly and easily.

It's the biggest, most comfortable cab we've ever had.

Seat-Mounted Joysticks

On M-Series loaders with Selectable Joystick Controls (SJC), the joysticks are mounted to the seat. As your suspension seat moves up and down, the joysticks move with the seat for added comfort while operating.

Improved Seat Adjustment

The adjustable seat features two additional inches of forward or aft movement to accommodate different-sized operators.

Large Entry

On machines with enclosed cabs, large swing-open doors provide ample room for exit and entry.

More Room

Our stronger, narrower loader arms make a wider cab possible, with up to 20 percent more interior space than competitors, keeping you comfortable.



Heat and Air Conditioning

Because our AC units are integrated into the machine, there is no bulky add-on unit to obstruct your visibility. Automotive-style vents allow you to point your air where you need it for greater comfort in all weather conditions.

Ample Storage

Storage bins are located throughout the interior. You can store items wherever it's convenient – on your right or on your left.

Convenient Engine Speed Control

The engine speed control has been moved to the front of the operator, on the right-hand corner post of the cab.

Fingertip Controls

Fingertip controls make your attachment comfortable to operate, easy to control and simple to adjust while driving. Dual-direction detent allows hydraulic flow to be engaged continuously, in either direction, without holding a switch. Variable hydraulic flow allows you to slowly move cylinders when working with a grapple or combination bucket, or crank it up to maximum flow to quickly shake dirt from an auger bit.



Ride Control

Bobcat Ride Control cushions the loader lift circuit to better absorb shocks caused when carrying loads over uneven ground.

12-Volt Power Accessory

Your cab is your office. That's why Bobcat installed a 12-volt power accessory for charging your mobile device, MP3 player or other accessories.

Radio-Capable

Order your loader with a stereo to enhance your operation experience. The radio features an auxiliary audio input jack that is ready for an MP3 player or other device.

Air Ride Seats

Achieve optimum suspension comfort with the optional air-ride seat. Air suspension adjusts to your weight, helping you smooth out the bumps on your jobsite and increasing your comfort.



Easy-Pull, Easy-Secure Side Window

Simply pull the new window knob to slide the side window to five lockable positions. The window stays exactly where you want it to get consistent air flow.

Other Comfort Cab Features

- Sound reduction option for even lower noise levels
- High output halogen lights for low-light operation
- Top window for raised-load visibility
- Adjustable foot pedals

Availability of some comfort features varies by model and configuration. See your dealer for details.



Improved Visibility

Visibility is increased in all directions on M-Series loaders. The rear window is 14 percent larger, and the top window is 43 percent larger. This provides a big advantage when loading a truck or using attachments. All-around visibility is central to the design of the cab on Bobcat loaders.



Cab-Forward Design

The new cab-forward design moves the operating area closer to the attachment, giving you a better vantage point to see your work.

Front Visibility

Comfortably see your work from the seat through a single, curved pane of glass that delivers as much as 50 percent more glass surface area than other manufacturers. Powerful lighting gives you a great view for night operation.

Pressurized Cab

In your line of work, you have to dive right in – where the dirt, dust, mud and debris are at their worst. Bobcat M-Series loaders with enclosed cabs have a best-in-class pressurized interior space that keeps dust to a minimum, keeping operators clean and comfortable.





Rear Visibility

The cab-forward design doesn't affect rear visibility. The large rear window and angle of the back of the loader provide a great view behind the tailgate.

All-around visibility is central to the design of the cab on Bobcat M-Series loaders.

Side Visibility

In the Bobcat cab, you can see the tracks without having to lift your loader arms, increasing your performance in tight areas, such as grading next to a building or backing onto a trailer.

The innovative Bobcat door design includes a one-piece seal. Plus, the unique curved door pocket provides the best possible seal against dust, dirt and debris.



Scan this to see the video.

Choice Controls

Bobcat offers all of the common control patterns found on compact loaders today – and it's the only brand that allows you to choose your preference at the flip of a switch. It's the largest selection of control possibilities in the industry.



Bobcat Standard Controls

With Bobcat Standard Controls, each steering lever controls each drive side independently,

while dual foot pedals control the loader lift and tilt. It's still the most popular control style.



R/C READY

Remote Control

With remote control operation, you control your loader without having to be in the cab. This is a smart solution for hot, dusty environments or on jobs where you'd rather be outside of the machine. Completely portable, and designed for the worst working environments, the radio remote control system is installed or removed in minutes for easy use with multiple machines.



Advanced Control System (ACS)

ACS offers your choice of two control styles in one machine. By pressing a switch, you can use traditional Bobcat Standard Controls or "H" pattern hand controls, where the left lever controls the left drive and lift, while the right lever controls the right drive and tilt.

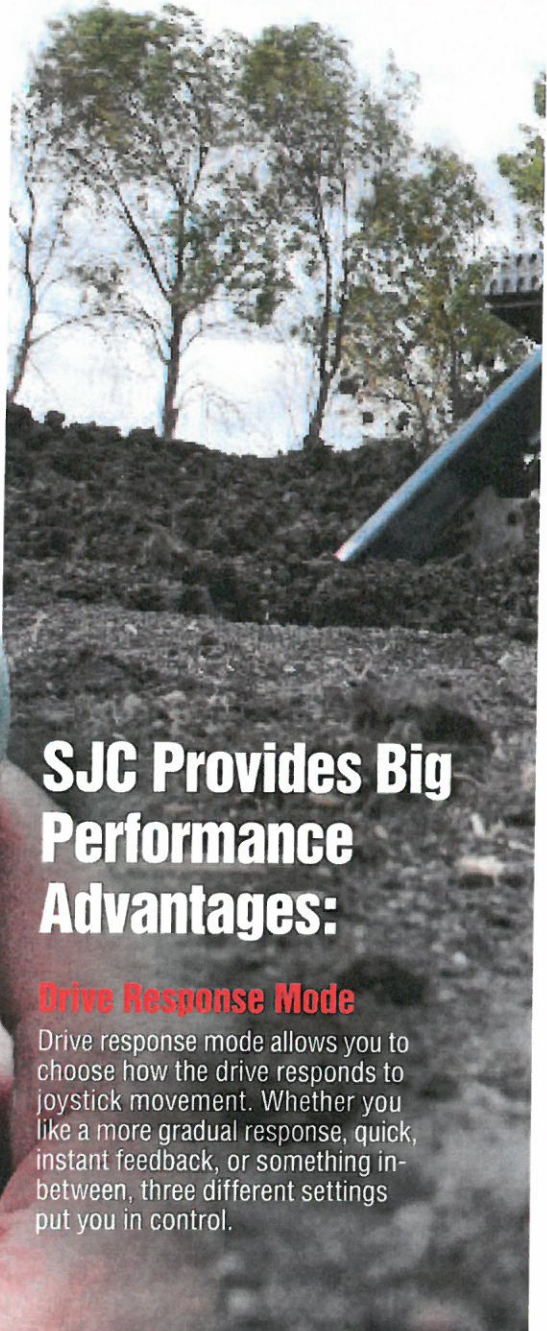


Selectable Joystick Controls (SJC)

Selectable Joystick Controls offers low-effort hand control of all machine work group functions. "ISO" or "H" patterns can be easily activated by a dash-mounted rocker switch inside the cab.



NEW, IMPROVED BOBCAT SELECTABLE JOYSTICK CONTROLS



SJC Provides Big Performance Advantages:

Drive Response Mode

Drive response mode allows you to choose how the drive responds to joystick movement. Whether you like a more gradual response, quick, instant feedback, or something in-between, three different settings put you in control.



These low-effort joysticks are loaded with Bobcat-exclusive features that increase your productivity:

Speed Management

A Bobcat exclusive, simply “dial in” your required travel speed in small increments to match speed to your operation requirements and maximize attachment performance. Speed management gives you a full range of joystick motion at a slower speed, giving you precise control of machine movements while maintaining maximum driveline torque and full hydraulic power.

Steering Drift Compensation

Steering drift compensation keeps you on a straight path by helping you make minor adjustments to the steering. It's beneficial when you side-shift certain attachments, such as planers or trenchers, as this will tend to pull the machine to one side. You can also use it while driving on surfaces that cause the loader to gradually drift left or right, such as crowned roads. Make fine steering adjustments to either side and stay on target.

Horsepower Management

Bobcat Horsepower Management automatically adjusts the loader drive system to maximize pushing and digging power while minimizing your chance of stalling. Unlike other anti-stall systems, Bobcat Horsepower Management lets the operator obtain maximum engine and drive torque to match the toughest digging conditions. If you prefer to work without it, simply disengage with the push of a button.

Panoramic Serviceability

Bobcat loaders are designed to provide the fastest, easiest maintenance in the industry. Engine checkpoints are within easy reach – so daily maintenance actually gets done. Unparalleled access to routine and long-term maintenance points make preventative maintenance simple, reducing your operating costs and adding to your bottom line.

Full-Access Serviceability

Our large, swing-open tailgate provides convenient access to routine maintenance points. There are no radiators to move, lift arms to raise or lift-arm support devices to install.



Protective Tailgate

The one-piece, 1/4-inch, high-strength door has no cooling holes, slots or other openings that expose your loader components to job hazards.

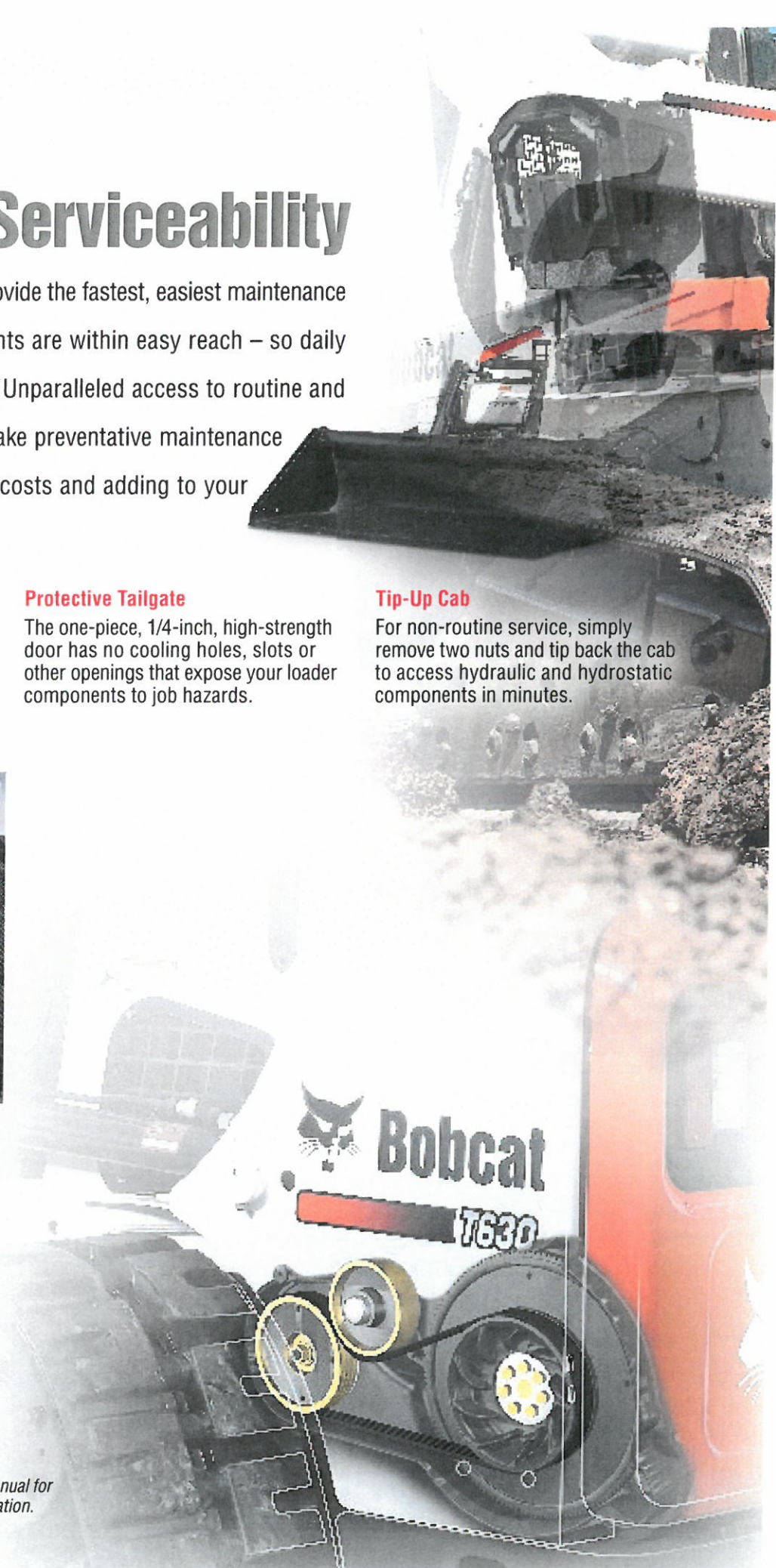
Tip-Up Cab

For non-routine service, simply remove two nuts and tip back the cab to access hydraulic and hydrostatic components in minutes.

The Transverse Engine and Belt Drive

Bobcat offers one-sided serviceability thanks to the exclusive Bobcat belt-drive system. This durable technology with a multi-groove, Kevlar™ belt allows your loader engine to run slower for reduced noise and longer durability. It's also more efficient with an optimized engine-to-pump package.

Refer to the loader Operation & Maintenance Manual for complete maintenance instructions and information.





New Tier 4 Solutions

To reduce air pollution, new Tier 4 emissions standards require every equipment manufacturer make equipment changes. Bobcat seized the opportunity to design a non-DPF Tier 4 solution that also delivers new features and provides more performance to customers. As Bobcat moves towards Tier 4 compliance, every final Tier 4 compliant loader more than 25.4 horsepower will feature the new Bobcat engine.

More Torque

Higher combustion pressures generate more torque. Bobcat engines have a robust combustion chamber that handles more pressure and produces more torque than ever before, meaning better performance for pushing, digging, lifting and operating attachments. As the engine ages, the common rail fuel system manipulates combustion pressure to provide consistent power and torque over the life of the engine.

A Wider Range of Power

With other engines, you may struggle to maintain peak performance because they only create peak torque under a small engine rpm range. The new Bobcat engines generate the most torque across a much wider rpm range. Our engines can stay in the peak torque range longer, maximizing your performance. Operators of every skill level can better utilize full engine performance to get more work done.

Other Bobcat Engine Advantages:

Improved Machine Shutdown Protection

Monitors coolant and oil temperatures and prevents them from reaching a critical point of shutdown.

Cold Weather Engine Protection

Protects your machine from working too hard before the engine is properly warmed up.

Lower Operating Costs and Reduced Noise

A new auto-idle function on SJC-equipped machines reduces noise levels.

Simple, State-of-the-Art and Non-DPF

Until recently a diesel particulate filter (DPF) was the only technology that removed enough particulate matter (PM) to meet Tier 4 regulations. Bobcat created an ultra-low particulate combustion (ULPC) capable engine with a specially designed combustion chamber. ULPC drastically reduces PM created during engine combustion – so there is no need for a DPF. The biggest advantage of our non-DPF Tier 4 solution is simplicity. The DPF cleaning process, called regeneration, requires knowledgeable operation to keep the DPF and engine running properly. ULPC eliminates downtime that occurs with DPF regeneration and long-term DPF maintenance costs. That allows operators to focus on working.

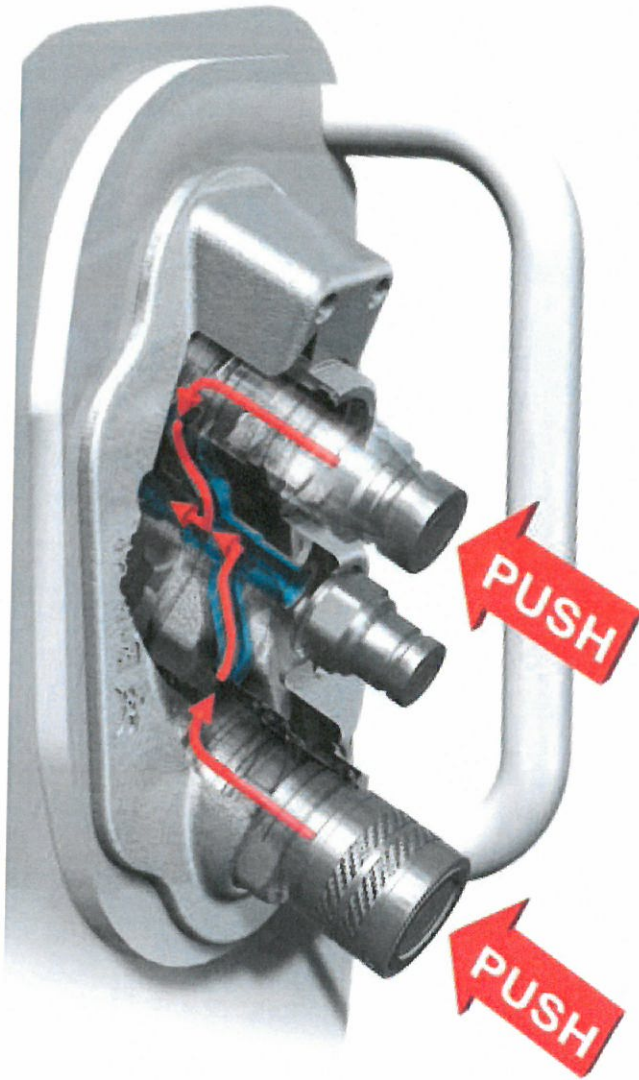
Go to Bobcat.com/newengine to learn more about the new Bobcat engine features and performance improvements.



Bobcat loaders have your business expansion built right in. An auger, breaker, or one of more than 70 attachments will go a long way to save you time and labor. Whether it's breaking concrete, taking down buildings or drilling tree holes, Bobcat attachments help you take on new jobs and get more use from your machine. They're vertically integrated with your Bobcat loader's electronics, hydraulics and geometry, and they're designed with visibility and ease of entry and exit in mind.

Quick Couplers

Trapped line pressure can make attachment changes anything but quick. So Bobcat loaders come with quick couplers to release trapped pressure. By pushing the coupler inward, hydraulic oil is released through a return line back into the machine. The result is a clean, quick attachment change every time.

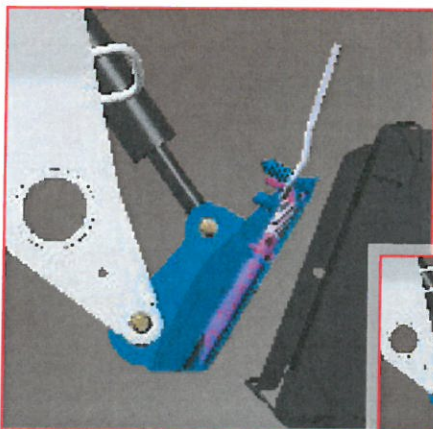


Attachment Control Kit

Several attachments require control of more than one function. Our small, 7-pin attachment harness activates power and fingertip-control functions while eliminating the need for mechanical relays used on other loaders. It's fully integrated with your Bobcat loader for a clean look and protected routing.



Do
More



Bob-Tach

Change attachments in less than a minute with the Bob-Tach® mounting system. Replace a bucket with a pallet fork, landscape rake, auger, grapple and more, while keeping a tight attachment fit every time.



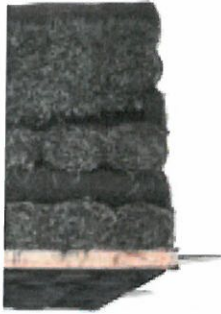


Than Dig



Power Bob-Tach

With the Power Bob-Tach™ system, you can change non-hydraulic attachments without leaving the comfort of your cab. Just line up the attachment and press the switch.



Deluxe Instrumentation Hour Clock

With the deluxe instrument panel, you can monitor the number of hours on each attachment.



Laser Positioning

For laser-controlled attachments, deluxe instrumentation provides real-time, in-cab attachment position monitoring and adjustment.



Tree Spade Control

With deluxe instrumentation, you can monitor active blades and gates, change auto-dig and easy dig settings and monitor the number of trees dug in a day.



Sonic Tracer/Slope Sensor

The sonic tracer/slope sensor kit enables operators to create an accurate cross-slope or precisely grade when laser receivers and transmitters are limited by jobsite obstacles or the grade needed does not follow a plane.



Precision Grading

Compact loaders are commonly used for grading, and Bobcat does grading better than any other brand. Bobcat manufactures the most productive box blade and grader attachments in the industry, but we don't stop there. Bobcat loaders give you access to exclusive technology that increases your grading efficiency while saving material and labor.

Accuracy Within 1/4-Inch

Sonic and laser-guided grading systems offer you unbeatable precision that amplifies your profit potential by cutting thousands in material and labor from the job. Bobcat precision grading equipment often pays for itself with just one or two big jobs.

Laser-Guided Grading

Your Bobcat loader and the attachment make adjustments automatically, saving you hours of time and thousands in labor and material. Depending on the attachment and transmitter, the laser-guided grading system can grade a flat-plane, single-slope or dual-slope surface.





High-Flow Hydraulics

Optional high-flow hydraulics provide a big power boost for better production with attachments. Certain attachments, such as the flail cutter, trencher, planer and stump grinder, get maximum performance from high-flow hydraulics.

Superior Attachment Availability

Bobcat dealers specialize in compact equipment – so they are much more likely to stock or rent attachments that other equipment retailers don't even have. You'll be able to buy or rent the attachments you need.

Multi-Carrier Versatility

Get more versatility and profitability for your dollar. Several Bobcat attachments can be used across carriers. For example, a Model 15 auger can be shared with an all-wheel steer loader, skid-steer loader, compact track loader, compact excavator, Toolcat™ utility work machine and VersaHANDLER® telescopic tool carrier.

Attachment Support

The attachment is as important as your machine. If you buy an attachment off the Internet or at a discount store, who is going to service it, provide parts and complete your warranty? Bobcat Company supports its attachments better than anyone. We are your one-stop shop for your attachment parts, service, finance and warranty.



NEW SONIC

Sonic Tracer/Slope Sensor Control

The sonic tracer/slope sensor kit enables operators to create an accurate cross-slope or precisely grade when laser receivers and transmitters are limited by jobsite obstacles or the grade needed does not follow a plane.

Deluxe Instrumentation Panel

Deluxe instrumentation enables operators to set the parameters of the grading system and get real-time information during operation – such as distance-to-target for both elevation and slope – without the need for a separate control box inside the cab.

Uptime Protection



Machine Shutdown Protection

Bobcat loaders come standard with automatic shutdown that monitors engine and hydraulic functions. The system alerts the operator and actually shuts the machine down – lessening the chance of damage to the engine or hydraulic components.

Self Diagnostics

On-board diagnostics efficiently troubleshoot problems in the field, and in many cases, prevent them from occurring in the first place. Downloadable machine performance history cuts a huge chunk out of the time needed to identify problems and correct them.

Battery Run-Down Protection

The lighting circuit automatically shuts down to prevent accidental battery discharge.

Electronic Protection

Bobcat electronics meet or exceed military IP67 requirements for sealing, moisture, shock and vibration. You can work in harsh conditions, or power wash your loader without having to worry if it will start when you are finished. Bobcat electronics feature more watertight, corrosion-resistant connectors than other manufacturers – so you don't slow down from faulty connections.

Protected Hoses and Quick Couplers

The integrated, pressure-release quick couplers are mounted directly into the front plate of the lift arm – with no exposed hoses to damage. A steel guard extends beyond the coupler, protecting it even further.

BobcatAdvantage.com/comptrack



If you want to push your productivity to new heights, pair your loader with a Bobcat excavator.

Ultimate Equipment Combination

Whether you are replacing a small crawler dozer or your backhoe, nothing beats the versatility and speed of a Bobcat compact track loader working in tandem with a Bobcat compact excavator.

Versatility

Dozers can do only one thing. Backhoes offer just a few attachments. The compact track loader and excavator can use up to 60 different attachments, giving you access to more jobs.

Unmatched Performance of Tracks

Besides eliminating downtime you experience with a backhoe from flat tires, tracks have low ground pressures for excellent flotation in soft or muddy conditions. That means less rework. Push more and push it faster with the efficiency of tracks.

Compact Efficiency

Compact excavators are designed for long periods of excavating. The compact size allows use in confined areas like backyards and inside buildings. And with the operator's offset position in the cab, there is better visibility to the bucket.

Better Spoil Placement

Excavators offer unlimited spoil dumping options with 360 degrees of rotation. You can also dig in any position around the machine.

More Efficiency Saves You Money

You can only accomplish one thing at a time with a backhoe. When you combine a Bobcat compact track loader with a compact excavator, you can double your productivity. One can dig while the other can backfill or load trucks at the same time.

Bobcat Loaders...

Bobcat Excavators...

A Perfect Combination.

Bobcat gives you more. More models. More options. More versatility.



Specifications and Features Compact Track Loaders



Loader	T450	T550	T590	T630	T650	T750
Loader Series	M-Series	M-Series	M-Series	M-Series	M-Series	M-Series
Rated Operating Capacity (ROC) (35% of Tipping Load)	1,400 lb. (635 kg)	1,995 lb. (905 kg)	2,100 lb. (953 kg)	2,230 lb. (1012 kg)	2,570 lb. (1166 kg)	3,325 lb. (1508 kg)
ROC with Counterweight (optional)	Counterweight kits are available to increase ROC. See dealer on available kits and ROC increases for yr					
Operating Capacity at 50% of Tipping Load	2,000 lb. (907 kg)	2,850 lb. (1293 kg)	3,000 lb. (1361 kg)	3,180 lb. (1442 kg)	3,670 lb. (1665 kg)	4,750 lb. (2155 kg)
Tipping Load	4,000 lb. (1814 kg)	5,700 lb. (2585 kg)	6,000 lb. (2722 kg)	6,371 lb. (2890 kg)	7,343 lb. (3331 kg)	9,500 lb. (4309 kg)
ROC w/optional Roller Suspension	-	1,895 lb. (860 kg)	2,000 lb. (907 kg)	1,980 lb. (898 kg)	2,350 lb. (1066 kg)	2,950 lb. (1338 kg)
Height to Hinge Pin	109.5 in. (2781 mm)	114.5 in. (2908 mm)	119.0 in. (3023 mm)	121 in. (3073 mm)	124 in. (3149 mm)	132 in. (3353 mm)
Lift Arm Path	Radius	Radius	Vertical	Radius	Vertical	Vertical
Size and Speed						
Operating Weight	6,148 lb. (2789 kg)	7,577 lb. (3437 kg)	7,948 lb. (3605 kg)	9,015 lb. (4089 kg)	9,321 lb. (4228 kg)	10,327 lb. (4684 kg)
Bucket Width	56 in. (1422 mm)	68 in. (1727 mm)	68 in. (1727 mm)	74 in. (1880 mm)	74 in. (1880 mm)	80 in. (2032 mm)
Cab Height	77.8 in. (1972 mm)	77.8 in. (1972 mm)	77.8 in. (1972 mm)	81.3 in. (2065 mm)	81.3 in. (2065 mm)	81.3 in. (2065 mm)
Travel Speed-Low Range	7.3 mph (11.7 km/hr)	7.3 mph (11.7 km/hr)	7.3 mph (11.7 km/hr)	6.6 mph (10.6 km/hr)	6.6 mph (10.6 km/hr)	6.6 mph (10.6 km/hr)
Travel Speed-High Range (optional two-speed)	11 mph (17.7 km/hr)	-	-	10.7 mph (17.2 km/hr)	10.7 mph (17.2 km/hr)	10.7 mph (17.2 km/hr)
Engine						
Horsepower	Tier 4 61 hp	Tier 4 66 hp	Tier 4 66 hp	Tier 4 74 hp	Tier 4 74 hp	Interim Tier 4 Compliant 85 hp
Type	Turbo Diesel	Turbo Diesel	Turbo Diesel	Turbo Diesel	Turbo Diesel	Turbo Diesel
Fuel Tank Capacity	17.3 gal. (65.5 L)	35.9 gal. (135.3 L)	24.75 gal. (93.7 L)	27.5 gal. (104.1 L)	27.5 gal. (104.1 L)	27.2 gal. (103.1 L)
Horsepower Management	Included with SJC Option					
Diesel Particulate Filter (DPF) Required	No	No	No	No	No	Yes
Diesel Exhaust Fluid (DEF)	No	No	No	No	No	No
Uptime Protection						
Bobcat SmartFAN	Std	Std	Std	Std	Std	Std
Dual Path Cooling System	Std	Std	Std	Std	Std	Std
Machine Shutdown Protection	Std	Std	Std	Std	Std	Std
Tracks/Undercarriage						
Track Width-Standard	11.8 in. (300 mm)	12.6 in. (320 mm)	12.6 in. (320 mm)	12.6 in. (320 mm)	12.6 in. (320 mm)	17.7 in. (450 mm)
Track Width-Optional	-	15.8 in. (400 mm)	15.8 in. (400 mm)	17.7 in. (450 mm)	17.7 in. (450 mm)	12.6 in. (320 mm)
Ground Pressure (w/ Std Tracks)	4.7 psi	5.0 psi	5.7 psi	5.3 psi	5.7 psi	4.2 psi
Ground Pressure (w/ Opt Tracks)	-	4.0 psi	4.7 psi	3.8 psi	4.1 psi	5.9 psi
Length of Track on Ground	50.2 in. (1275 mm)	54.1 in. (1374 mm)	55.2 in. (1401 mm)	59 in. (1499 mm)	59 in. (1499 mm)	63.7 in. (1618 mm)
Roller Suspension	-	Opt	Opt	Opt	Opt	Opt
Grease Cylinder Track Tensioning	Std	Std	Std	Std	Std	Std
Rollers Per Side	3 (Triple Range)	4 (Triple Flange)	4 (Triple Flange)	4 (Triple Flange)	4 (Triple Flange)	5 (Triple Flange)
Control Options						
Bobcat Standard (Foot Pedals/Steering Levers)	Std	Std	Std	Std	Std	Std
Advance Control System (ACS)	Opt	Opt	Opt	Opt	Opt	Opt
Selectable Joystick Control (SJC)	Opt	Opt	Opt	Opt	Opt	Opt
Radio Remote Control (SJC Required)	Opt	Opt	Opt	Opt	Opt	Opt
Standard Control Power Assist	-	-	-	-	-	-
Machine Features						
Air Ride Seat	Opt	Opt	Opt	Opt	Opt	Opt
Back-up Alarm & Horn	Std	Std	Std	Std	Std	Std
Bobcat Interlock Control System (BICS™)	Std	Std	Std	Std	Std	Std
Cab with Heat	Opt	Opt	Opt	Opt	Opt	Opt
Cab with Heat & Air Conditioning	Opt	Opt	Opt	Opt	Opt	Opt
Deluxe Instrumentation (includes Keyless Start)	Opt	Opt	Opt	Opt	Opt	Opt
Hydraulic Bucket Positioning	Opt	Opt	Opt	Opt	Opt	Opt
Mechanical Suspension Seat	Std	Std	Std	Std	Std	Std
Front and Rear Work Lights	Std	Std	Std	Std	Std	Std
Radio	Opt	Opt	Opt	Opt	Opt	Opt
Ride Control	Opt	Opt	Opt	Opt	Opt	Opt
ROPS/FOPS Approved Cab Structure	Std	Std	Std	Std	Std	Std
Sound Reduction Package	Opt	Opt	Opt	Opt	Opt	Opt
Two-speed	Opt	-	-	Opt	Opt	Opt
Features for Attachments						
Attachment Control Kit	Opt	Opt	Opt	Opt	Opt	Opt
Bob-Tach® Mounting System	Std	Std	Std	Std	Std	Std
Power Bob-Tach™	Opt	Opt	Opt	Opt	Opt	Opt
Fingertip Auxiliary Hydraulics Control	Std	Std	Std	Std	Std	Std
Hydraulic System Pressure	3,500 psi	3,500 psi	3,500 psi	3,500 psi	3,500 psi	3,500 psi
Hydraulic Standard Flow	16.7 gpm (63.2 L/min.)	17.1 gpm (64.7 L/min.)	17.1 gpm (64.7 L/min.)	23 gpm (87.1 L/min.)	23 gpm (87.1 L/min.)	23 gpm (87.1 L/min.)
Hydraulic High Flow (optional)	-	26.7 gpm (101.1 L/min.)	26.7 gpm (101.1 L/min.)	30.5 gpm (115.5 L/min.)	30.5 gpm (115.5 L/min.)	36.6 gpm (138.5 L/min.)
Pressure Release Hydraulic Quick Couplers	Std	Std	Std	Std	Std	Std
Speed Management	Included with SJC Option (see attachment section for details)					



T770

T870

M-Series

M-Series

3,475 lb. (1576 kg)

3,525 lb. (1599 kg)

ader.

4,965 lb. (2252 kg)

5,030 lb. (2282 kg)

9,929 lb. (4503 kg)

10,072 lb. (4569 kg)

3,100 lb. (1406 kg)

-

132 in. (3353 mm)

144 in. (3657 mm)

Vertical

Vertical

10,327 lb. (4684 kg)

12,678 lb. (5751 kg)

80 in. (2032 mm)

84.8 in. (2153 mm)

81.3 in. (2065 mm)

83.4 in. (2118 mm)

3.6 mph (10.6 km/hr)

7.2 mph (11.6 km/hr)

10.7 mph (17.2 km/hr)

11.4 mph (18.3 km/hr)

Interim Tier 4 Compliant

Interim Tier 4 Compliant

92 hp

99.2 hp

Turbo Diesel

Turbo Diesel

27.2 gal. (103.1 L)

32.3 gal. (122.3 L)

Std

Yes

Yes

No

No

Std

Std

Std

Std

Std

Std

17.7 in. (450 mm)

17.7 in. (450 mm)

12.6 in. (320 mm)

-

4.2 psi

4.7 psi

5.9 psi

-

63.7 in. (1618 mm)

68.9 in. (1749 mm)

Opt

Std

Std

Std

5 (Triple Flange)

4 (Triple Flange)

Std

-

Opt

-

Opt

Opt

Opt

Opt

-

Std

Opt

Opt

Std

Std

Std

Std

Opt

-

Opt

Opt

Opt

Opt

Opt

Opt

Std

Std

Std

Std

Opt

Opt

Opt

Opt

Std

Std

Opt

Opt

Std

Std

Std

Std

3,500 psi

3,500 psi

23 gpm (87.1 L/min.)

23.8 gpm (90.1 L/min.)

3.6 gpm (138.5 L/min.)

37.7 gpm (142.7 L/min.)

Std

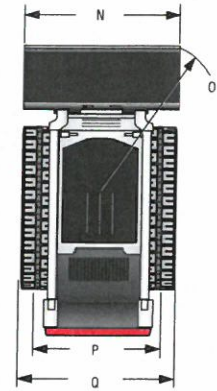
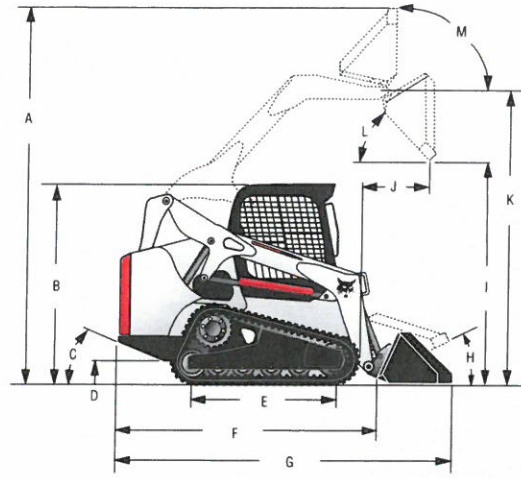
Std

Std

Std

Std

Std



	T450	T550	T590	T630
A	149.1 in. (3787 mm)	149.1 in. (3787 mm)	153.6 in. (3901 mm)	155.5 in. (3950 mm)
B	77.8 in. (1972 mm)	77.8 in. (1972 mm)	77.8 in. (1972 mm)	81.3 in. (2065 mm)
C	28"	27.8"	28.8"	31"
D	8.4 in. (213 mm)	7.4 in. (188 mm)	7.3 in. (185 mm)	8.1 in. (206 mm)
E	50.2 in. (1275 mm)	55.2 in. (1402 mm)	55.2 in. (1402 mm)	59 in. (1499 mm)
F	98.4 in. (2499 mm)	104.6 in. (2657 mm)	104.6 in. (2657 mm)	108.4 in. (2753 mm)
G	126.6 in. (3216 mm)	133 in. (3378 mm)	133 in. (3378 mm)	136.8 in. (3474 mm)
H	28"	30"	30"	31"
I	83.8 in. (2199 mm)	86.8 in. (2205 mm)	91.3 in. (2319 mm)	93.2 in. (2367 mm)
J	23.5 in. (597 mm)	19.3 in. (490 mm)	34.9 in. (887 mm)	24.1 in. (613 mm)
K	109.5 in. (2781 mm)	114.5 in. (2908 mm)	119 in. (3023 mm)	121 in. (3073 mm)
L	40"	42"	42"	42"
M	91"	97"	97"	97"
N	56.0 in. (1422 mm)	68 in. (1727 mm)	68 in. (1727 mm)	74 in. (1880 mm)
O	77.9 in. (1979 mm)	80 in. (2032 mm)	80 in. (2032 mm)	88.1 in. (2238 mm)
P	43.2 in. (1097 mm)	54.4 in. (1382 mm)	54.5 in. (1384 mm)	60.3 in. (1532 mm)
Q	55.0 in. (1397 mm)	67 in. (1704 mm)	67.1 in. (1704 mm)	72.9 in. (1851 mm)

	T650	T750	T770	T870
A	158.5 in. (4026 mm)	166.6 in. (4232 mm)	166.6 in. (4232 mm)	184.6 in. (4689 mm)
B	81.3 in. (2065 mm)	81.3 in. (2065 mm)	81.3 in. (2065 mm)	83.4 in. (2118 mm)
C	31"	31"	31"	33"
D	8.1 in. (206 mm)	8.1 in. (206 mm)	8.1 in. (206 mm)	8.6 in. (218 mm)
E	59 in. (1499 mm)	63.7 in. (1618 mm)	63.7 in. (1618 mm)	68.9 in. (1749 mm)
F	108.4 in. (2753 mm)	114.3 in. (2903 mm)	114.3 in. (2903 mm)	119.3 in. (3030 mm)
G	136.8 in. (3474 mm)	141.6 in. (3597 mm)	141.6 in. (3597 mm)	153.9 in. (3910 mm)
H	31"	32"	32"	31"
I	96.3 in. (2447 mm)	104.3 in. (2649 mm)	104.3 in. (2649 mm)	112.3 in. (2853 mm)
J	34.2 in. (870 mm)	33.6 in. (853 mm)	33.6 in. (853 mm)	36.5 in. (927 mm)
K	124 in. (3149 mm)	132 in. (3353 mm)	132 in. (3353 mm)	144 in. (3657 mm)
L	42"	42"	42"	42"
M	97"	98"	98"	98"
N	74 in. (1880 mm)	80 in. (2032 mm)	80 in. (2032 mm)	84.8 in. (2153 mm)
O	87.7 in. (2228 mm)	88 in. (2235 mm)	88 in. (2235 mm)	99 in. (2514 mm)
P	60.3 in. (1532 mm)	60.3 in. (1532 mm)	60.3 in. (1532 mm)	65.3 in. (1658 mm)
Q	72.9 in. (1851 mm)	78 in. (1981 mm)	78 in. (1981 mm)	83 in. (2108 mm)



Training Resources

Train operators and technicians in the safe operation and servicing of Bobcat equipment. Operator training courses, safety videos and other training materials are available at your Bobcat dealer's parts department or online at Bobcat.com/training

NOTE — Where applicable, dimensions are in accordance with Society of Automotive Engineers (SAE) and ISO standards. Specifications and design are subject to change without notice. Pictures of Bobcat loaders may show other than standard equipment. All dimensions are given for loader equipped with standard tracks. All dimensions are shown in inches. Respective metric dimensions are enclosed by parentheses. Bobcat Company complies with the requirements of ISO 9001 as registered with BSI.

*Certain specification(s) are based on engineering calculations and are not actual measurements. Specification(s) are provided for comparison purposes only and are subject to change without notice. Specification(s) for your individual Bobcat equipment will vary based on normal variations in design, manufacturing, operating conditions, and other factors.

The leader in versatility and maneuverability.



Skid-Steer Loaders



Compact Track Loaders



All-Wheel Steer Loaders



Compact Excavators



Mini Track Loaders



VersaHANDLER® Telescopic Tool Carriers



Toolcat™ Utility Work Machines



Utility Vehicles



Attachments



Get Bobcat Gear!

Find cool Bobcat gear and accessories by visiting your local Bobcat dealer or BobcatStore.com



PIONEERING MANEUVERABILITY

Bobcat introduced its first compact loader in 1958 and two years later, the world's first skid-steer loader. This created an entire industry of machines that put the power of large equipment in a compact size with unmatched maneuverability.

OFFERING MORE VERSATILITY

In 1970 Bobcat invented the first quick-change attachment system for skid-steer loaders, known as the Bob-Tach[®] mounting system. Today we offer more attachments than anyone in the world, empowering customers to transform all of our machines into multi-task attachment carriers and reach higher levels of production.

ONE TOUGH ANIMAL[™]

All over the world, Bobcat[®] equipment is known for being durable and dependable. By lasting longer and minimizing downtime, we help our customers become as successful as possible.

HELP WHEN YOU NEED IT

With 50 years of experience and more than 550 locations, we offer the best dealer network in the country for compact equipment. Our dealers offer a quality sales force, dependable parts departments and qualified service technicians, all leading to a quality customer experience.



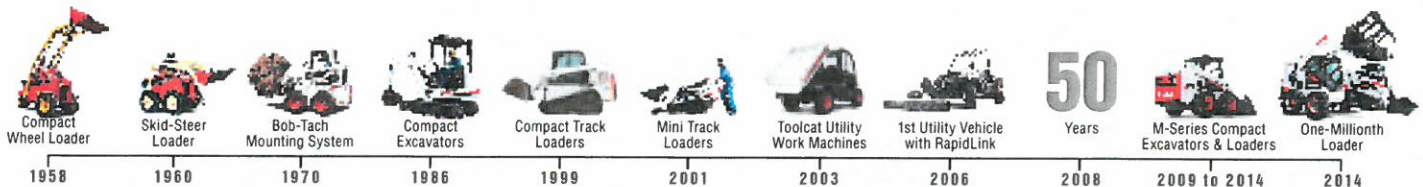
A CONSTANT INNOVATOR

In the late 1950s, a turkey farmer needed help — so in 1958 we introduced what was to become the world's first skid-steer loader. We created an industry by listening to the needs of the customer. This focus is the same today. In 2000, a superintendent needed help — so we built the world's first Toolcat[™] utility work machine. We continue to be a global leader in innovation by listening to our customers.

LEADER BY DESIGN

Listening to the customer and a pioneering spirit are why Bobcat continues to lead the evolution of compact equipment ...

- 1960** – Invented the **FIRST** true skid-steer loader.
- 1970** – Invented the **FIRST** attachment mounting system for skid-steer loaders.
- 1977** – Built the **FIRST** skid-steer loader with no chain adjustments required. Still a Bobcat exclusive.
- 1981** – Introduced the **FIRST** secondary restraint seat bar.
- 1983** – The **FIRST** skid-steer loader with a transversely mounted engine. Still a Bobcat exclusive.
- 1990** – Introduced the **FIRST** compact excavator manufactured in the U.S.
- 1999** – Introduced the **FIRST** compact track loader with a solid-mounted undercarriage manufactured in the U.S.
- 2001** – Invented the **FIRST** loader with all-wheel steer and skid-steer capabilities. Still a Bobcat exclusive.
- 2003** – Revolutionized the way the world works with the invention of the Toolcat[™] line, the world's **FIRST** utility work machines — a cross between a pickup, attachment carrier and utility vehicle. Still a Bobcat exclusive.
- 2006** – Introduced the **FIRST** utility vehicle with RapidLink[™] attachment mounting system.
- 2008** – Roller Suspension[™], the **FIRST** all-steel suspension system, was introduced.
- 2009** – Launched M-Series compact excavators and loaders.
- 2011** – The M-Series loader models S850 and T870 became the largest and most powerful in our lineup.
- 2012** – Bobcat introduced two new sizes of extendable-arm excavator options that are both attachment and clamp-ready.
- 2013** – The M-Series 500 frame-size loaders replaced the popular S185 and T190 (among many others). This loader size is the most popular in the world and has been for two decades.
- 2014** – Bobcat launches the 400 frame-size loaders, completing the M-Series line; manufactures its one-millionth loader; introduces its own Tier 4, non-DPF engines; and opens the Bobcat Acceleration Center, a dedicated innovation, testing and technology facility.
- Today** – There are more Bobcat skid-steer loaders at work around the world than all other brands combined.
- Today** – Bobcat manufactures more attachments than anyone in the world.
- Today** – Bobcat is the only company that offers operator training kits for compact equipment.
- Today** – Bobcat offers a full range of extendable-arm options, three sizes fitting five different excavator models.
- Today** – Compact track loaders are rapidly becoming the product of choice in many market segments.



BOBCAT TIMELINE

M-SERIES

500 PLATFORM



THE MOST POPULAR LOADERS OF ALL TIME JUST GOT MORE M-PRESSIVE



The best is even better. The Bobcat S185 and T190 were the best-selling skid-steer loader and compact track loader in North America for more than a decade. Bobcat is excited to announce that these models – and five others – have been completely redesigned to increase performance, reliability and comfort. Visit Bobcat.com/500 or scan the code to see what makes these legendary loaders better than ever.

NOTE - Where applicable, dimensions are in accordance with Society of Automotive Engineers (SAE) and ISO standards. Specifications and design are subject to change without notice. Pictures of Bobcat units may show other than standard equipment. All dimensions are given for loader equipped with standard tires. All dimensions are shown in inches. Respective metric dimensions are enclosed by parentheses. Bobcat Company complies with the requirements of ISO 9001 as registered with BSI.

Bobcat® and the Bobcat logo are registered trademarks of Bobcat Company in the United States and various other countries. ©2015 Bobcat Company. All Rights Reserved.



Printed on 10% recycled paper

D 1050 (00/15)

Bobcat Company
P.O. Box 6000 • West Fargo, ND 58078
Bobcat.com
Printed in U.S.A.



Bobcat

One Tough Animal.

KA-10K-0015-#42461-1-E