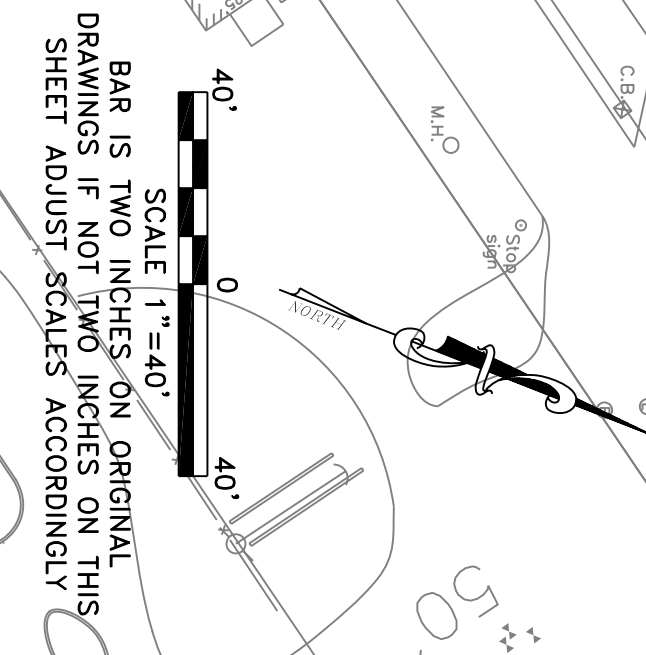


National Marine
Scanbury



<p>CITY OF KEY WEST</p> <p>3140 FLAGLER AVENUE</p> <p>KEY WEST, FL. 33040</p>	<p>TRUMAN WATERFRONT ROADWAY</p> <p>KEY WEST, FL. 33040</p> <p>CONCEPTUAL ROADWAY</p>	<p>REVISIONS:</p> <table border="1" style="width:100%; border-collapse: collapse;"> <tr><td>1</td><td></td></tr> <tr><td>2</td><td></td></tr> <tr><td>3</td><td></td></tr> <tr><td>4</td><td></td></tr> <tr><td>5</td><td></td></tr> <tr><td>6</td><td></td></tr> </table>	1		2		3		4		5		6		<p>ORIGINAL: JUNE 2011</p> <p>ALLEN E. PEREZ, P.E. Florida P.E. NO. 51468 September 9, 2011</p>	<p>CIVIL ENGINEERING • REGULATORY PERMITTING • CONSTRUCTION MANAGEMENT</p> <p>Perez Engineering & Development, Inc. CERTIFICATE OF AUTHORIZATION No. 8579</p> <p>KEY WEST OFFICE 1010 EAST KENNEDY DRIVE, SUITE 400 KEY WEST, FLORIDA 33040 TEL: (305) 293-9440 FAX: (305) 296-0243</p> <p>TAMPA OFFICE CONCOURSE CENTER 3507 EAST FRONTAGE ROAD, SUITE 140 TAMPA, FLORIDA 33607 TEL: (813) 579-1616 FAX: (813) 288-0710</p>
1																
2																
3																
4																
5																
6																

JOB NO. 111014
DRAIN RTM
DESIGNED AEP
CHECKED AEP
SHEET C-