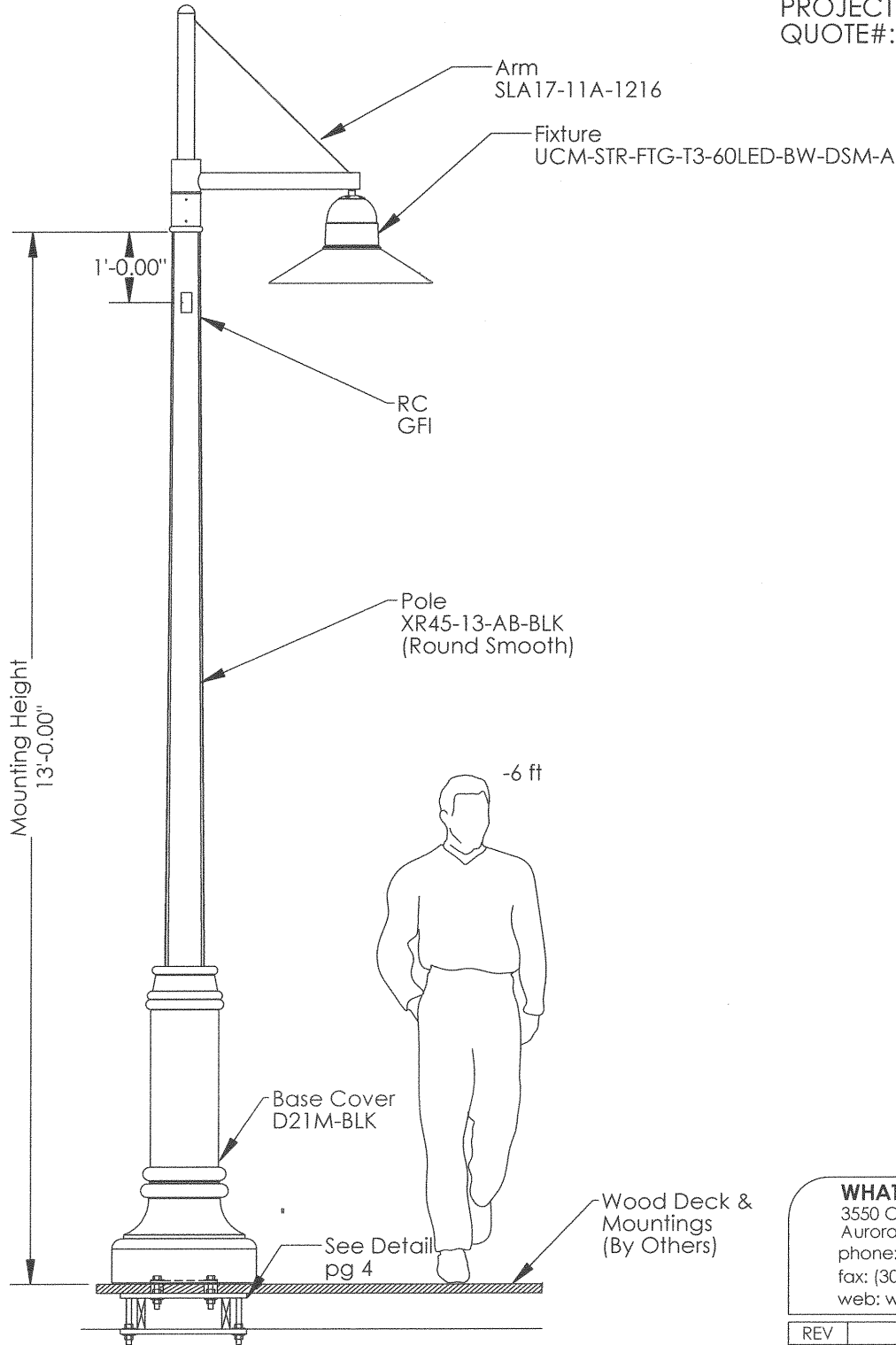


AGENCY: Power & Lighting
 CUSTOMER:
 PROJECT: Key West Bight
 QUOTE#:



WHATLEY, INC. A Valmont Company
 3550 Odessa Way, STE A
 Aurora, CO., 80011
 phone: (877) 959-7678
 fax: (303) 286-7272
 web: www.whatley.com

REV	DESCRIPTION	DATE

PART NO. XR45-D21M-13-AB-BLK-40-40-RC WDN DESCRIPTION: Pole Assembly

SCALE: 1:24 SIZE: A REV. 7 pg 2 of 3

MATERIAL: Noted

FINISH: Smooth

DO NOT SCALE DRAWING

DOCUMENTATION	INITIAL	DATE
DRAWN	JTC	3/7/11
QUOTE REQUEST		
TOOLING REQUEST		
FIRST ARTICLE REQUEST		
FIRST ARTICLE INSPECTION		
PRODUCTION RELEASE		

UNLESS OTHERWISE NOTED:
 DIMENSIONS ARE IN INCHES
 TOLERANCES:
 DECIMAL .XX ± .03
 DECIMAL .XXX ± .010
 ANGLE ± 1/2

PROPRIETARY AND CONFIDENTIAL
 THE INFORMATION CONTAINED IN THIS DRAWING IS THE SOLE PROPERTY OF WHATLEY, INC. ANY REPRODUCTION IN PART OR AS A WHOLE WITHOUT THE WRITTEN PERMISSION OF WHATLEY, INC. IS PROHIBITED.