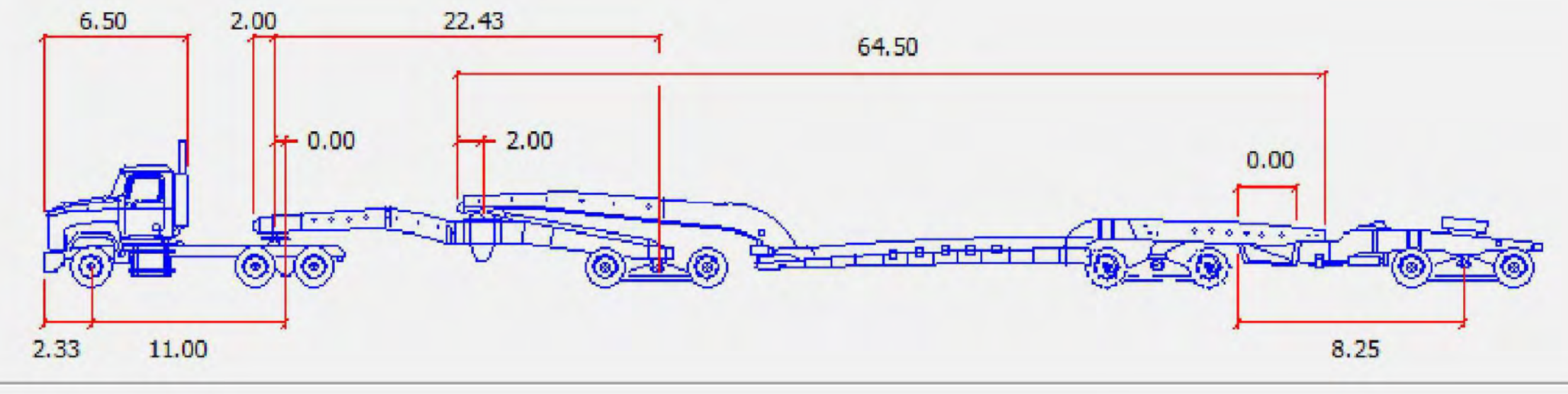


- Group Vehicles By:
- Library
 - Type
 - Class
 - Region
 - # of Parts
 - No Group
 - Recent
- Bus
 - Commercial Truck
 - Emergency Vehicle
 - Forestry
 - Fuel Tanker
 - Passenger Vehicle
 - Recreational
 - Refuse Collection
 - Transport - Special**
 - Transport Truck

Units: feet



Library	Vehicle Name	Type	Region	Lock	# Parts	Length	Wheelbase	Trailer Len.
SPECIAL TRANSPORT	Wind Tower Trailer	Special Wind Tower Trailer	North America	40.0	3	88.45	21.00	32.00
SPECIAL TRANSPORT	Beam Transporter I	Special Beam Transporter I	North America	40.0	4	101.00	24.00	27.50
SPECIAL TRANSPORT	Booster Trailer	Special Booster Trailer	North America	40.0	3	67.42	11.00	24.43
SPECIAL TRANSPORT	Wind Blade Trailer	Special Wind Blade Trailer	North America	40.0	2	158.70	21.00	137.00
SPECIAL TRANSPORT	19-axle Heavy Haul	Special 19-axle Heavy Haul	North America	40.0	5	111.00	22.00	34.00
SPECIAL TRANSPORT	Beam Transporter II	Special Beam Transporter II	North America	40.0	3	202.66	16.00	49.00

AutoTURN Pro results should be used conservatively, with ample allowances added for clearances between vehicle tire track. The track of a vehicle is defined as the distance between the outside edges of the outermost tires on the left and right sides. or swept path. The swept path of a vehicle is the envelope swept out by the sides of the vehicle body, or any other part of the structure of the vehicle. A swept path determines whether the vehicle will make contact with vertical obstructions. Create a swept path simulation by selecting the Vehicle body envelope in Simulation Properties. envelopes Envelopes refer to the lines traced out by the selected vehicle elements, the vehicle load, or clearances from these elements. See Swept Path and Tire Tracks, and road edges or obstructions.



BERMELLO AJAMIL & PARTNERS • INC

Architecture • Engineering • Planning
Interior Design • Landscape Architecture
2601 South Bayshore Drive
Suite 1000
Miami, Florida 33133
(305) 859-2050
Fax (305) 860-3700

PREPARED FOR/OWNER:
CITY OF KEY WEST, FL
P. O. BOX 1409
3140 FLAGLER AVENUE
KEY WEST, FL 33041

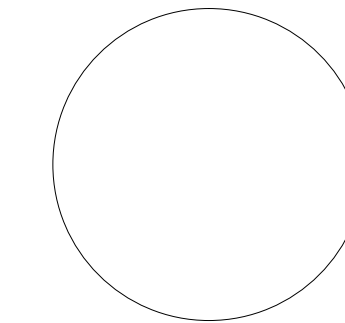


PROJECT NAME:
TRUMAN WATERFRONT PARK

PROJECT LOCATION/ADDRESS:
TRUMAN WATERFRONT PARK
WEST OF FORT STREET PARK AND THE
TRUMAN ANNEX DEVELOPMENT,
NORTH OF KEY WEST NAVAL BASE

SUB-CONSULTANT INFORMATION:

PROFESSIONAL SEAL:



KIRK J. OLNEY
FLORIDA REGISTERED LANDSCAPE
LA0001705

SUBMITTAL DESCRIPTION / MILESTONE:

DEVELOPMENT APPLICATION
March 3, 2014

REVISIONS:
1 02/22/2013
2 06/28/2013 Response to Navy Review

DRAWING SHEET INFORMATION

BA PROJECT NO.: 12010
SCALE: AS NOTED
DATE: February 12, 2014
DRAWN BY: KJO
CHECKED BY: RPH
CADD FILE: X Truman Waterfront Base.dwg

DRAWING TITLE:
TURNING RADIUS PLAN

SHEET NO.

TR-00