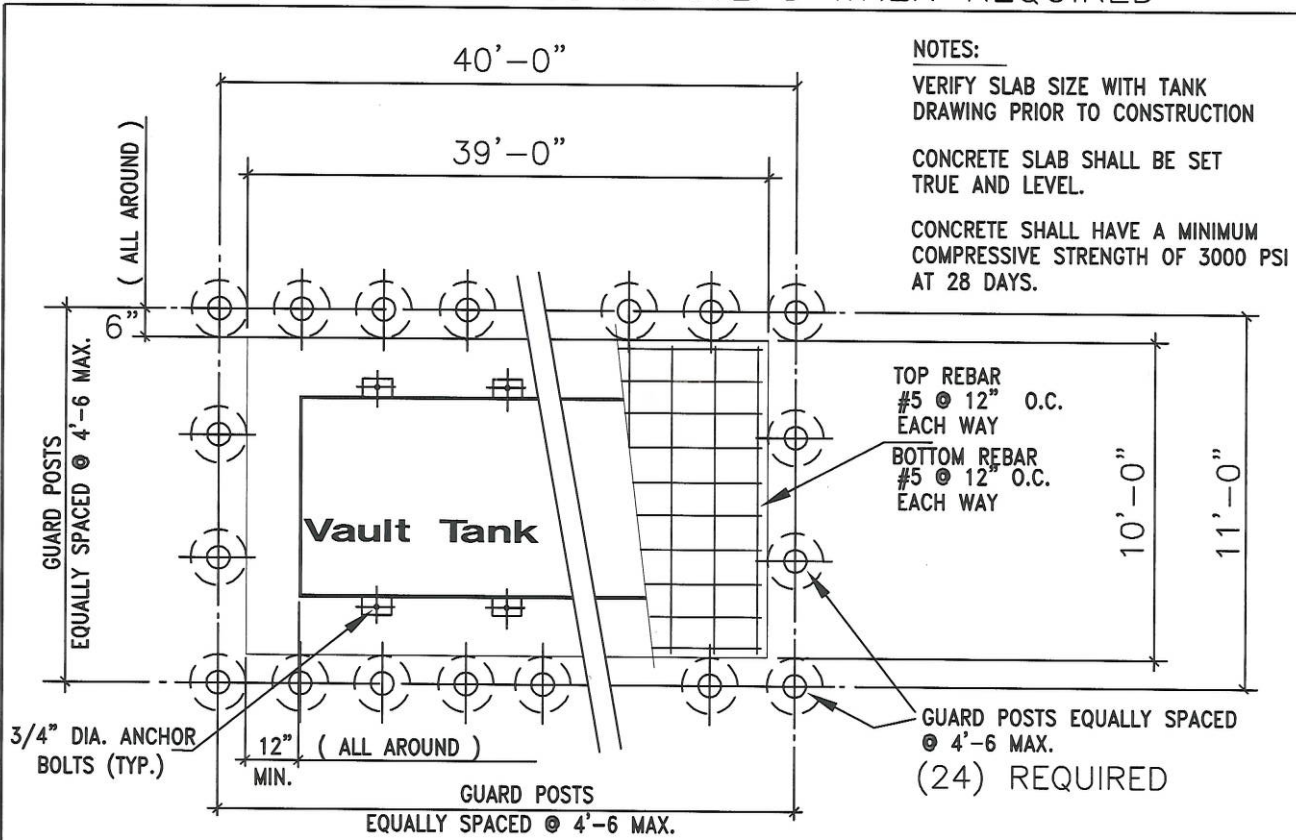
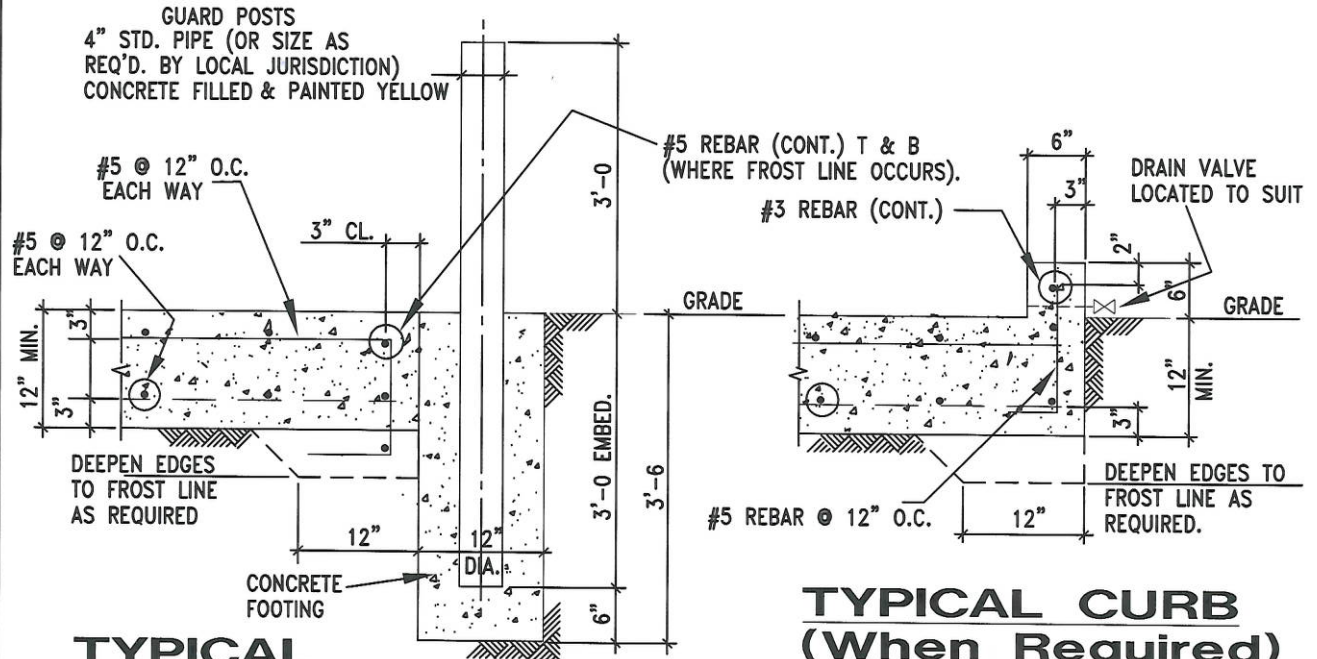


MODIFY TO ACCOMMODATE STEPS WHEN REQUIRED



**FOUNDATION PLAN**



**CONTAINMENT SOLUTIONS**  
 A DENALI COMPANY

12,000 GALLON  
 VAULT TANK  
 FOUNDATION PAD

DRAWING: **FDC013**  
 DATE: **6-01-99**  
 DRAWN BY: **W. EDWARDS**