

Customer Name: KEY WEST FIRE DEPT      CB2184      12/02/2002  
 Dealer P.O.#.: RESNO 02-359      Page: 1  
 Cust #.: 60740 CITY OF KEY WEST  
**Model...: EC-2003-250GD-178      25' GUARDIAN**  
 Color...: 60010 CUSTOM COLORS: SEE SPECIAL INSTRUCTIONS  
           60070 WHITE/HAZE/BLACK  
 Power...: 60240 CUSTOMER SUPPLIED ENGINE/'S  
 Order#.: 424244    Order Date.: 11/26/2002    Production Week.: 6/23/2003

Plant Review : \_\_\_\_\_    Date: \_\_\_\_\_    HIN#: WCG00089L203

Options and Accessories  
 -----

NOTES:

1. HULL STRIPING AND LOGOS ARE BLACK.

2. LAYOUT THE SWITCH PANEL USING THIS LAYOUT:

NAV	BILGE	BILGE	PORT FLOOD.	FWD. FLOOD.	STBD. FLOOD.	AFT FLOOD	COCKPIT LIGHTS	SPARE	DOCKING LIGHTS	STROBE LIGHTS
-----	-------	-------	----------------	----------------	-----------------	--------------	-------------------	-------	-------------------	------------------

60500      COMMERCIAL OPTIONS:

61301      30" TRANSOM UPGRADE

60904      BATTERY SYSTEM DUAL ENG 2 START 1 ELEC

- INSTALL THE BATTERIES INSIDE THE CONSOLE

60925      2 STARTING BATTERY GROUP 24 950 CCA

60926      DEEP CYCLE BATTERY, GROUP 27 95 AMP

60590      CONSOLE MOVED TO FORWARD POSITION

- THIS FORWARD TANK COVER WILL HAVE THE HATCH LOCATED 27" FROM THE FORWARD EDGE OF THE TANK COVER. THIS IS TO THE CENTER OF THE HATCH.
- LOCATE THE FORWARD EDGE OF THE CONSOLE UP AGAINST THE BACK EDGE OF THE HATCH.

60599      CONSOLE WATERTIGHT DOOR (EXTRA)

60606      HEAVY DUTY T-TOP- G3

- THIS IS A HAZE GREY FRAME WITH RED CANVAS.

60699      RED/WHITE DOME LIGHT UNDER T-TOP

60763      4 FLOODLIGHTS (EA) (REQUIRES MAST OR T-TOP)

- LOCATE ONE LIGHT FACING PORT, STARBOARD, AFT, AND FORWARD. MOUNT THE FORWARD LIGHT UNDER THE FRAME IN FRONT OF THE ELECTRONICS BOX.
- CONNECT EACH FLOODLIGHT TO A SEPARATE SWITCH.

60764      4 COCKPIT LIGHTING RED (EA)

- LOCATE THE FOUR LIGHTS UNDER THE GUNWHALE BOARDS. ONE FORWARD OF THE DIVE DOOR AND ONE AFT. TWO UNDER THE STARBOARD GUNWHALE.

Customer Name: KEY WEST FIRE DEPT CB2184 12/02/2002  
Dealer P.O.#.: RESNO 02-359 Page: 2  
Cust #.: 60740 CITY OF KEY WEST  
Model..: EC-2003-250GD-178 25' GUARDIAN  
Color..: 60010 CUSTOM COLORS: SEE SPECIAL INSTRUCTIONS  
60070 WHITE/HAZE/BLACK  
Power..: 60240 CUSTOMER SUPPLIED ENGINE/'S  
Order#.: 424244 Order Date.: 11/26/2002 Production Week.: 6/23/2003

- 99999 INSTALL CUSTOMER FURNISHED REMOTE CONTROL SPOTLIGHT
- INSTALL A CUSTOMER FURNISHED SPOTLIGHT ON THE TOP FRONT EDGE OF THE T-TOP.
  - LOCATE THE CONTROL PANEL TO THE LEFT OF THE BINNACLE. IT SHOULD BE ABOVE THE TRIM GAUGES AND VOLTMETERS.
- 61421 MERCURY DUAL ENGINE PRE-RIG
- 60702 MERC DUAL ENG ANALOG GAUGE PACKAGE
- THE STANDARD GAUGE PACKAGE INCLUDES TACHOMETERS, TRIM GAUGES, VOLTMETERS, AND FUEL GAUGE.
  - LOCATE THE TACHOMETERS IN FRONT OF THE BINNACLE ABOVE THE TRIM TAB PANEL.
  - LOCATE THE VOLTMETERS TO THE LEFT OF THE BINNACLE ABOVE THE BATTERY PARRALLEL SWITCH.
  - LOCATE THE TRIM GAUGES TO THE LEFT OF THE BINNACLE ABOVE THE VOLTMETERS.
  - LOCATE THE FUEL GAUGE TO THE BOTTOM LEFT OF THE HELM.
  - HOURMETERS ARE LOCATED ABOVE THE FUEL GAUGE.
  - WATER PRESSURE GAUGES ABOVE THE HOURMETERS.
- 60711 2 MERCURY WATER PRESSURE GAUGE
- 60714 2 MERCURY HOURMETER
- 61600 TRIM TABS HYDRAULIC
- 61743 LIGHT BAR -48" W/SIREN, PA & AMPLIFIER
- LOCATE THE CONTROL PANEL IN THE T-TOP ELECTRONICS BOX ON THE FAR RIGHT HAND SIDE.
- 60849 VHF RADIO RAYTHEON RAY 53 W/DSC
- LOCATE THE VHF RADIO IN THE T-TOP ELECTRONICS BOX JUST TO THE LEFT OF THE WHELEN CONTROL PANEL.
- 60740 2 12 VOLT OUTLET
- LOCATE ON 12 VOLT OUTLET IN THE T-TOP ELECTRONICS BOX DIRECTLY BELOW THE RAY 53 VHF RADIO.
  - LOCATE THE SECOND 12 VOLT OUTLET ON THE CONSOLE FACE BELOW THE GPS.
- 60815 GPS, RAYNAV 300 WITH WAAS RECEIVER
- FLUSH MOUNT THE GPS IN THE CONSOLE FACE. IT IS TO GO ON THE UPPER LEFT HAND SIDE.

Customer Name: KEY WEST FIRE DEPT      CB2184      12/02/2002  
Dealer P.O.#.: RESNO 02-359      Page: 3  
Cust #.: 60740 CITY OF KEY WEST  
Model..: EC-2003-250GD-178      25' GUARDIAN  
Color..: 60010 CUSTOM COLORS: SEE SPECIAL INSTRUCTIONS  
          60070 WHITE/HAZE/BLACK  
Power..: 60240 CUSTOMER SUPPLIED ENGINE/'S  
Order#.: 424244    Order Date.: 11/26/2002    Production Week.: 6/23/2003

60855    2 EXTERNAL RADIO SPEAKER  
          • LOCATE THE EXTERNAL RADIO SPEAKERS TO THE LEFT AND RIGHT  
            OF THE T-TOP ELECTRONICS BOX. CONNECT ONE SPEAKER TO THE  
            RAY 53 VHF. THE SECOND SPEAKER IS FOR A CUSTOMER  
            INSTALLED RADIO THAT WILL GO IN THE LEFT SIDE OF THE  
            ELECTRONICS BOX.

60760    BOW DOCKING LIGHTS

61430    2 3 GALLON MERCURY VRO TANK

61510    HI-LOW BOW/SIDE RAILS W/DIVE DOOR

61540    STAINLESS STEEL CUTWATER

61580    STERN SPLASHWELL BULKHEAD F/G

61801    DIVE DOOR- 34"

61802    HULL CHAFE PLATE- 34" DIVE DOOR

61841    DIVERS TANK RACK FOR (3) BOTTLES (EACH)

61910    FIRE PUMP 50 HP SYSTEM

62030    ENGINE CRASH RAIL -OUTBOARD

62403    CANVAS COVER, CONSOLE W/T-TOP  
          • THIS IS A HAZE GREY CANVAS COVER FOR THE CONSOLE WITH A  
            HEAVY DUTY T-TOP.

62500    BOTTOM PAINT  
          • BLACK BOTTOM PAINT.

61402    DUAL ENGINE INSTALLATION & TEST  
          • INSTALL A PAIR OF CUSTOMER SUPPLIED MERCURY 150 HP  
            OPTIMAX ENGINES.

61499    2 PROPELLOR, SST V-6'S & V-8'S  
          • PROPS ARE MERCURY MIRAGE 15-1/2" X 17" COUNTER ROTATING.

62755    TRAILER SETUP- CUSTOMER FURNISHED TRAILER

Customer Name: KEY WEST FIRE DEPT CB2184 12/02/2002  
Dealer P.O.#.: RESNO 02-359 Page: 4  
Cust #.: 60740 CITY OF KEY WEST  
Model...: EC-2003-250GD-178 25' GUARDIAN  
Color...: 60010 CUSTOM COLORS: SEE SPECIAL INSTRUCTIONS  
60070 WHITE/HAZE/BLACK  
Power...: 60240 CUSTOMER SUPPLIED ENGINE/'S  
Order#.: 424244 Order Date.: 11/26/2002 Production Week.: 6/23/2003

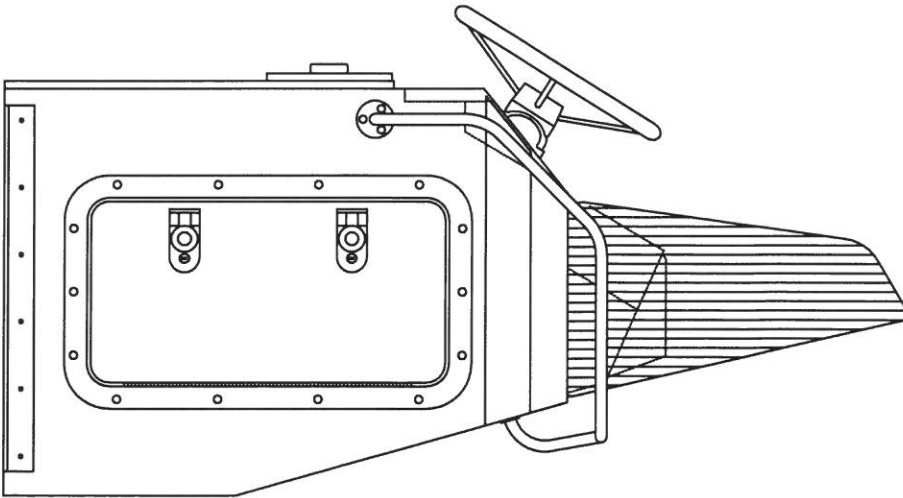
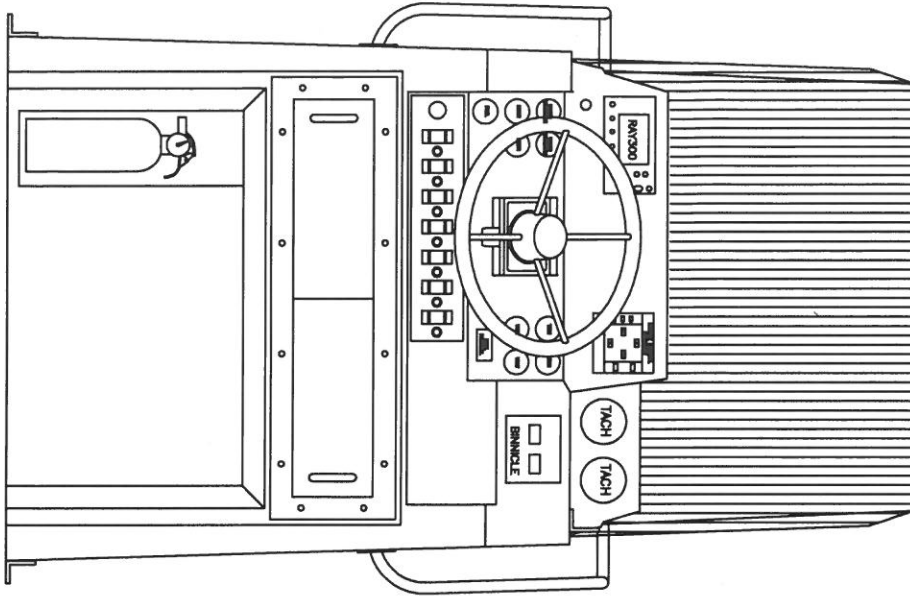
99998 INLAND FREIGHT- N. AMERICAN

Special Instructions

-----  
10 CB2184 KEY WEST FIRE DEPT  
CFE TRAILER  
CFE MERC 150 XL/CXL  
CFE REMOTE CONTROL SPOTLIGHT ON T-TOP

Special Charges




-----  
\*\*\*\* END \*\*\*\*



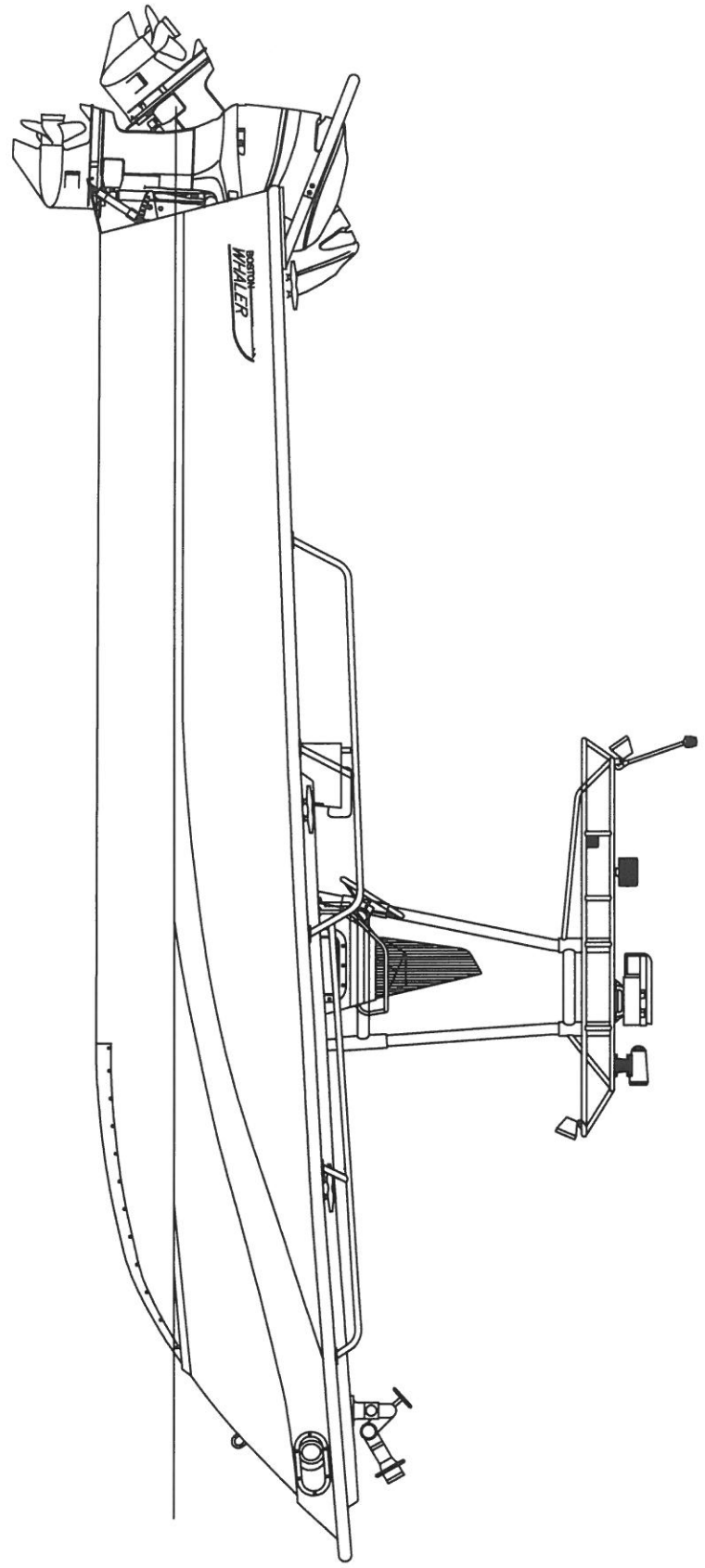
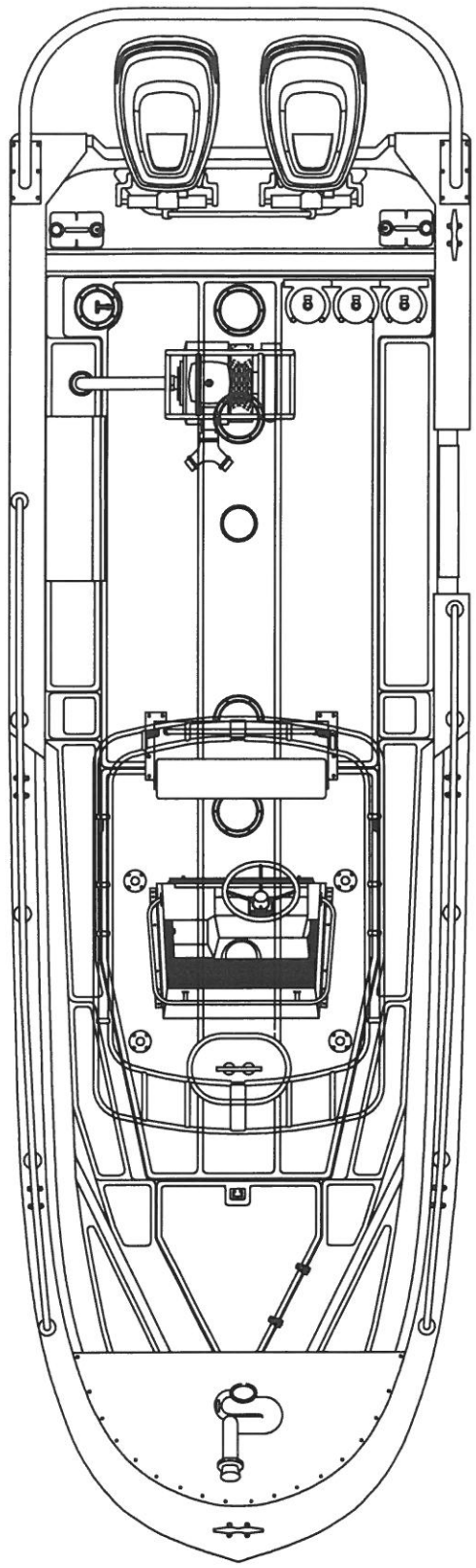
DESIGN BY: MJA  
 CHECKED BY: MJA  
 DATE: 12/20/02  
 SCALE: NONE  
 JOB NO.: CG-2184  
 DWG. NO.: 1000000-000000  
 SHEET 1  
 OF 1 SHEETS

**BOSTON WHALER COMMERCIAL & GOVERNMENT PRODUCTS, INC.**  
 420 MEGAN AVENUE  
 EDGEWATER, FL 32132  
 WWW.WHALER.COM / CGP  
 PHONE: (386) 423-2900  
 FAX: (386) 423-9187

**GENERAL LAYOUT CITY OF KEY WEST**

NO.	DATE	REVISION	BY



DESIGN BY: OCS  
 CHECKED BY: OCS  
 DATE: 12/20/02  
 SCALE: 1:12  
 JOB NO.: 08-2184  
 Dwg.: 1000000-000184  
 XREF: NONE  
 SHEET 1  
 OF 1 SHEETS

**BOSTON WHALER**  
 420 MEGAN AVENUE  
 EDGEWATER, FL 32132  
 WWW.WHALER.COM/CGP  
 PHONE: (386) 423-2900  
 FAX: (386) 423-9187

**BOSTON WHALER**

**GENERAL LAYOUT CITY OF KEY WEST**

NO.	DESC.	REVISION	BY