



Key West Bight Historic Boardwalk Sign Program

Exterior Signage System

Issue Date:

5.4.2022



4649 ponce de leon blvd. suite 401 coral gables, florida 33146
305.669.2550 www.tgadesign.com contact: david@tgadesign.com

GENERAL NOTES:

1. SIGN LOCATIONS: Sign Locations are shown on an existing photo site plan (sheet AA-2) and will likely require various mounting methods. TGA drawings show proposed sign locations (City approval required) with expected various methods, i.e., ground mounted, wood post mounted, wall mounted, railing mounted or other. In locations where the proposed method of mounting is not feasible the Sign Contractor must coordinate with TGA Design and shall propose alternate methods of installation or shall install only the sign plaque in an approved nearby location.

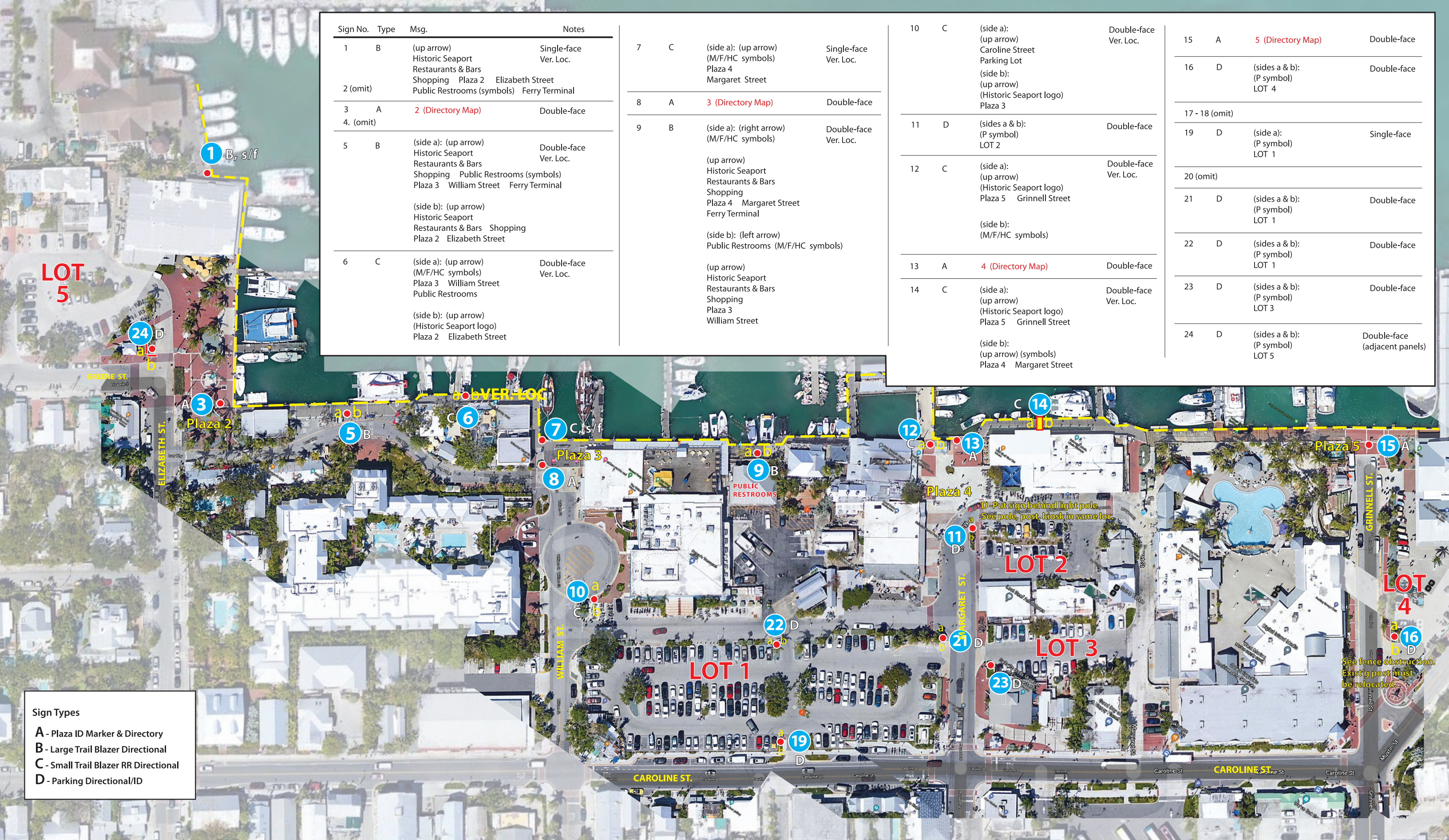
2. SIGN MESSAGES: TGA Design has not provided a Sign Message Schedule with proposed sign messages in this sign package. The City of Key West staff must review and coordinate with TGA to determine the desired sign messages and locations. Upon approval of sign messages, TGA Design will prepare additional sign layouts for each location is needed. Approval of sign messages shall be required prior to fabrication of sign plaques. Most signs will be double-faced.

3. SHOP DRAWINGS & ENGINEERING: Sign Contractor is required to provide Shop Drawings for new signage and is responsible for any required structural and footing engineering required by code and the City of Key West. Shop Drawings shall be approved by TGA Design and William P. Horn Architects (and/or his consultants) prior to fabrication and installation.

4. REMOVAL & SITE CONDITION SURVEY: Sign Contractor shall survey and provide scope of work for removal of existing plaza marker construction. Removal of existing Plaza markers shall be performed by the Sign Contractor to allow for installation of new Plaza Markers as shown in TGA Photo Site Plan. All underground site conditions shall be surveyed and approved for digging by City prior to all removal and installation work.

5. ELECTRIC: Electric requirements for plaza marker directories shall be coordinated with the City by the Sign Contractor. Electric shall be provided (by conduit) by the City directly to Plaza Marker directories.

6. DIRECTORIES: Prior to the creation of Art Work for the directories, the City shall provide preferred tenant name information and locations should clarify any future areas of construction to allow for accurate art work development by TGA, provided that; TGA Design’s development of art for directories must be by request of the City and will be charged as additional services to the City. Directory units shall to be fabricated and installed at the time of general installation and accessible for future placement of art work at a later date.



Sign No.	Type	Msg.	Notes
1	B	(up arrow) Historic Seaport Restaurants & Bars Shopping Plaza 2 Public Restrooms (symbols)	Single-face Ver. Loc.
2 (omit)		Elizabeth Street Ferry Terminal	
3	A	2 (Directory Map)	Double-face
4 (omit)			
5	B	(side a): (up arrow) Historic Seaport Restaurants & Bars Shopping Public Restrooms (symbols) Plaza 3 William Street Ferry Terminal (side b): (up arrow) Historic Seaport Restaurants & Bars Shopping Plaza 2 Elizabeth Street	Double-face Ver. Loc.
6	C	(side a): (up arrow) (M/F/HC symbols) Plaza 3 William Street Public Restrooms (side b): (up arrow) (Historic Seaport logo) Plaza 2 Elizabeth Street	Double-face Ver. Loc.

7	C	(side a): (up arrow) (M/F/HC symbols) Plaza 4 Margaret Street	Single-face Ver. Loc.
8	A	3 (Directory Map)	Double-face
9	B	(side a): (right arrow) (M/F/HC symbols) (up arrow) Historic Seaport Restaurants & Bars Shopping Plaza 4 Margaret Street Ferry Terminal (side b): (left arrow) Public Restrooms (M/F/HC symbols)	Double-face Ver. Loc.
10	C	(up arrow) Historic Seaport Restaurants & Bars Shopping Plaza 3 William Street	Double-face Ver. Loc.

11	D	(side a & b): (P symbol) LOT 2	Double-face
12	C	(side a): (up arrow) (Historic Seaport logo) Plaza 5 Grinnell Street (side b): (M/F/HC symbols)	Double-face Ver. Loc.
13	A	4 (Directory Map)	Double-face
14	C	(side a): (up arrow) (Historic Seaport logo) Plaza 5 Grinnell Street (side b): (up arrow) (symbols) Plaza 4 Margaret Street	Double-face Ver. Loc.

15	A	5 (Directory Map)	Double-face
16	D	(sides a & b): (P symbol) LOT 4	Double-face
17 - 18 (omit)			
19	D	(side a): (P symbol) LOT 1	Single-face
20 (omit)			
21	D	(sides a & b): (P symbol) LOT 1	Double-face
22	D	(sides a & b): (P symbol) LOT 1	Double-face
23	D	(sides a & b): (P symbol) LOT 3	Double-face
24	D	(sides a & b): (P symbol) LOT 5	Double-face (adjacent panels)

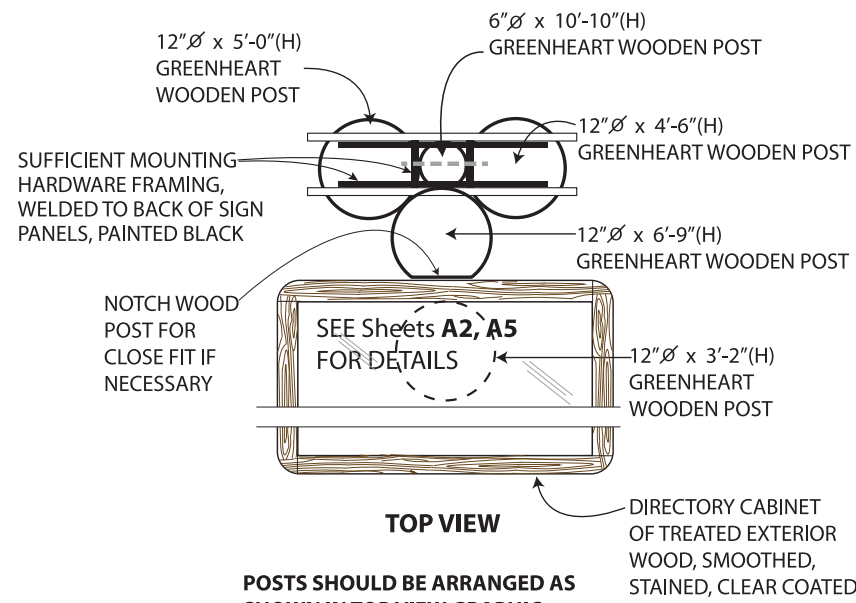
Sign Types
A - Plaza ID Marker & Directory
B - Large Trail Blazer Directional
C - Small Trail Blazer RR Directional
D - Parking Directional/ID

SIGN TYPE **A**

PMS 1788

PMS 369

OPTION 1 - NATURAL FINISH THE PREFERRED FINISH OPTION. SELECT WOOD ACCORDINGLY.
OPTION 2 - SATIN TRANSPARENT STAIN FOR WOOD T.B.D.



LOC. 3
ELIZABETH ST.



LOC. 8
WILLIAM ST.



LOC. 13
MARGARET ST.

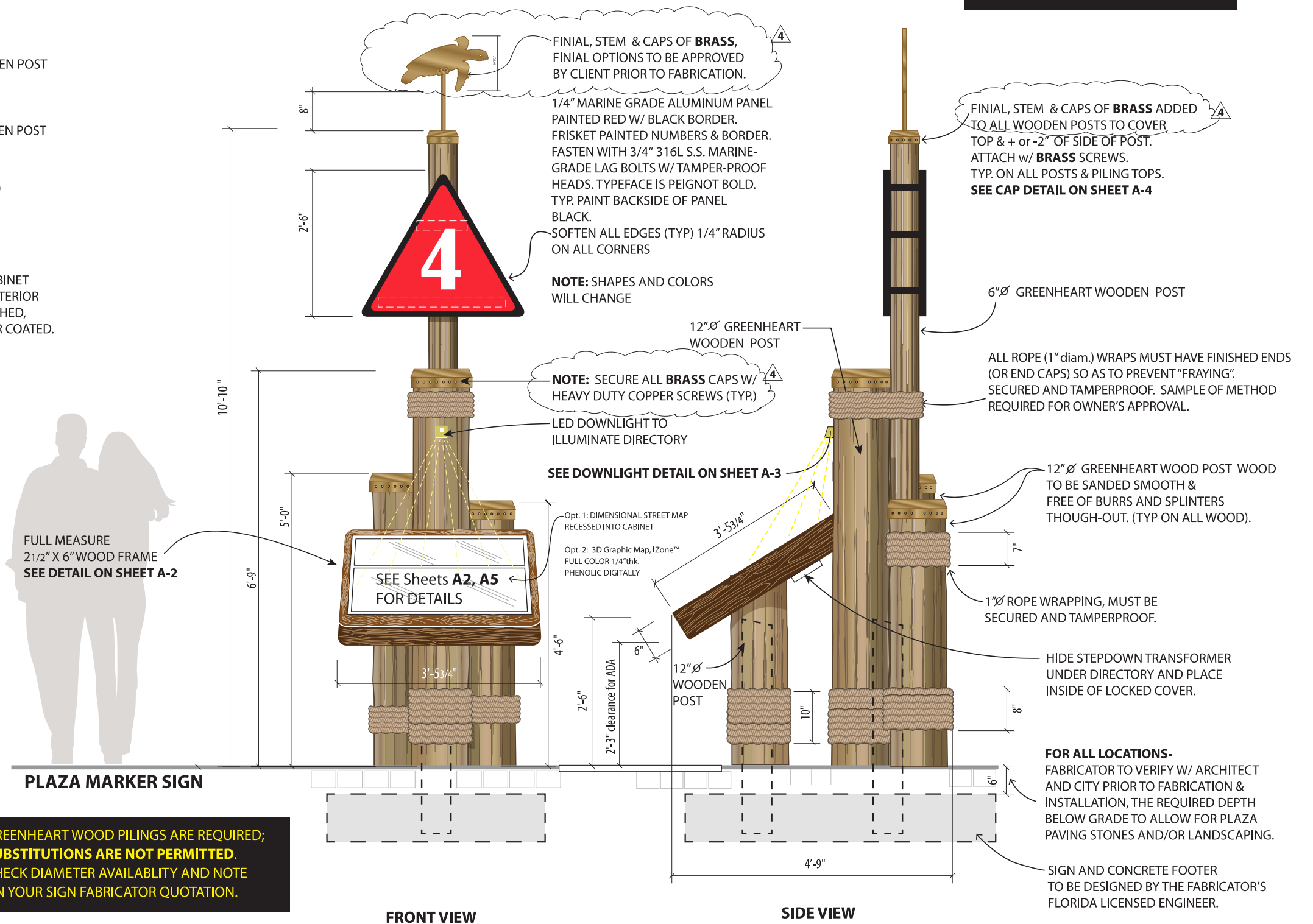


LOC. 15
GRINNELL ST.



FONT USED: **BRITANNIC BOLD**

COLOR CODING



GREENHEART WOOD PILINGS ARE REQUIRED; SUBSTITUTIONS ARE NOT PERMITTED. CHECK DIAMETER AVAILABILITY AND NOTE ON YOUR SIGN FABRICATOR QUOTATION.

© 2019 TGA Design, Inc. This drawing and all the designs, ideas, arrangements and plans indicated thereon or represented hereby are owned by and remain the property of TGA Design, Inc. and have been created and developed for use on, and in conjunction with, the specified project. Neither this drawing nor any such designs, ideas, arrangements and plans shall be appropriated by or disused to any person, firm or corporation for any use or purpose whatsoever except by the specific and written permission of TGA Design, Inc. Written dimensions on drawings shall have authority over scale. Contractors and manufacturers shall verify and be responsible for all dimensions and conditions on the job and inform this office of all variations from drawings prior to performing the work. This office shall approve details before fabrication.



4649 ponce de leon blvd. suite 401 coral gables, florida 33146
305.669.2550 www.tgedesign.com contact: david@tgedesign.com

Key West
Historic Seaport

Plaza Marker Sign

description:

1/2" = 1' 0"

scale:

10.9.21

issues & revisions:

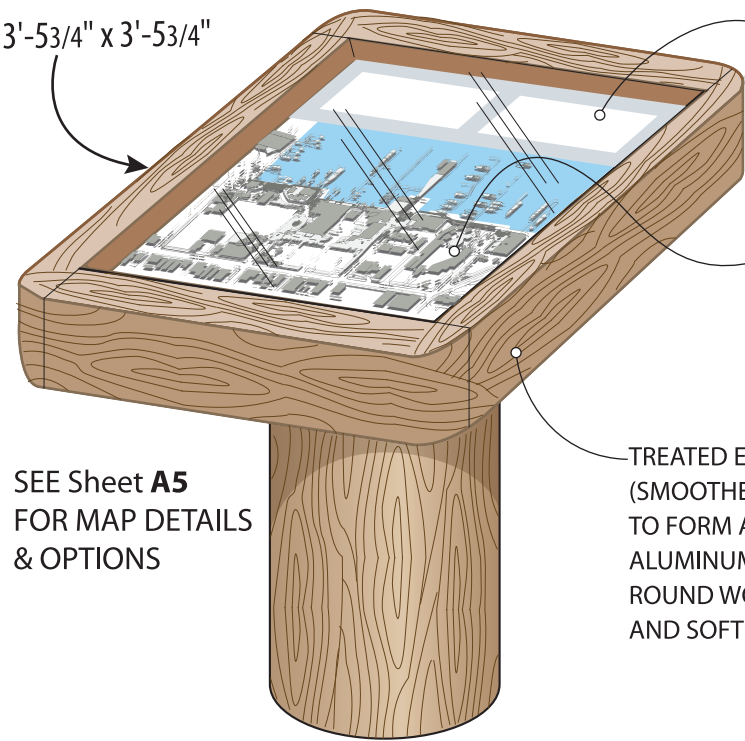
5/4/22

A.1

sheet:

SIGN TYPE **A**

3'-5 3/4" x 3'-5 3/4"



SEE Sheet **A5**
FOR MAP DETAILS
& OPTIONS

**FRONT VIEW
CONCEPTUAL**

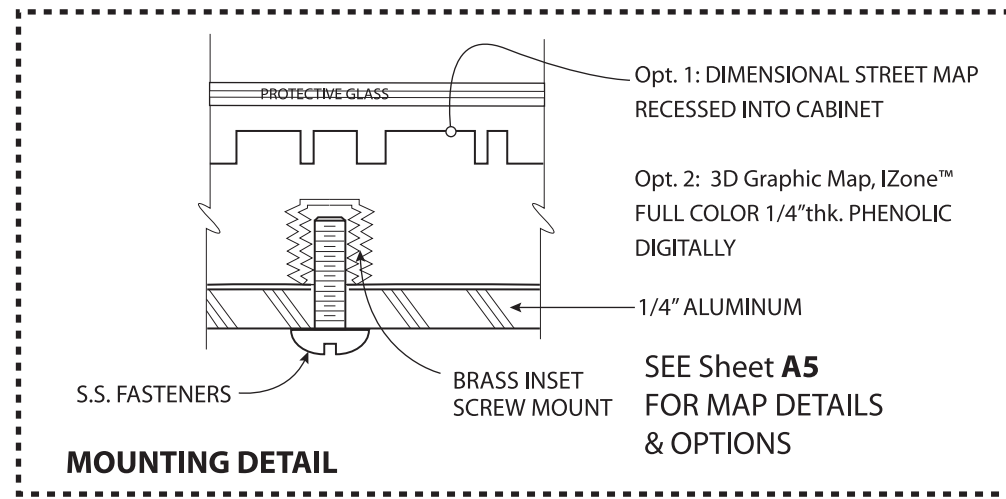
IZone™ / FULL COLOR
1/4" thk. PHENOLIC DIGITALLY
DIRECTORY LISTING OF SEAPORT
DESTINATIONS. (SCREWED FROM
BACK AS SHOWN IN DETAIL)

Opt. 1: DIMENSIONAL STREET MAP
RECESSED INTO CABINET

Opt. 2: 3D Graphic Map, IZone™
FULL COLOR 1/4" thk. PHENOLIC
DIGITALLY

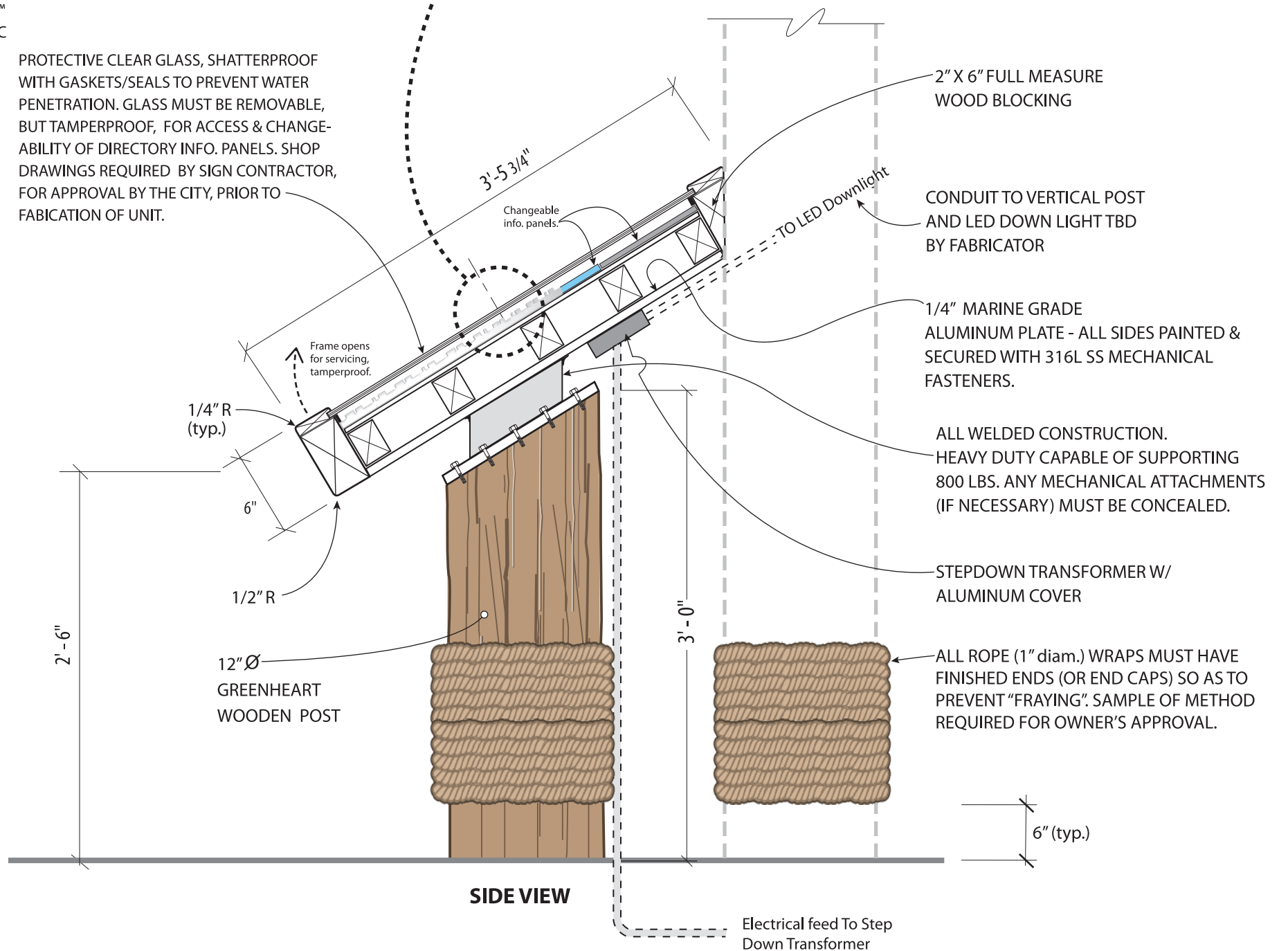
TREATED EXTERIOR WOOD FRAME
(SMOOTHED, STAINED, CLEAR COATED)
TO FORM A CLOSED CABINET WITH
ALUMINUM SUB-SURFACE BACKPANEL.
ROUND WOOD CORNERS w/ 1" RADIUS
AND SOFTEN ALL EDGES.

**GREENHEART WOOD PILINGS ARE REQUIRED;
SUBSTITUTIONS ARE NOT PERMITTED.
CHECK DIAMETER AVAILABILITY AND NOTE
ON YOUR SIGN FABRICATOR QUOTATION.**



**OPTION 1 - NATURAL FINISH THE PREFERRED
FINISH OPTION. SELECT WOOD ACCORDINGLY.
OPTION 2 - SATIN TRANSPARENT STAIN FOR
WOOD T.B.D.**

PROTECTIVE CLEAR GLASS, SHATTERPROOF
WITH GASKETS/SEALS TO PREVENT WATER
PENETRATION. GLASS MUST BE REMOVABLE,
BUT TAMPERPROOF, FOR ACCESS & CHANGE-
ABILITY OF DIRECTORY INFO. PANELS. SHOP
DRAWINGS REQUIRED BY SIGN CONTRACTOR,
FOR APPROVAL BY THE CITY, PRIOR TO
FABICATION OF UNIT.





NOTES SELECTED DOWN LIGHT
FABRICATOR TO VERIFY BEAM SPREAD
W/ 1ST SAMPLE FIXTURE BEFORE FULL
PURCHASE, w/ A MOCKUP IN THEIR SHOP

LED Wall Lights

ORDERING INFORMATION

LED

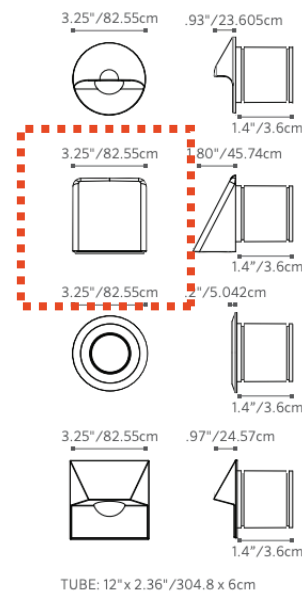


The MO offers the frosted glow of the PO in a larger 3LED for more light output and is the only 20 watt equivalent wall light compatible with the Luxor® system. Four interchangeable faceplates provide versatility, including use as a walkway light and recessed-style can light.

Cascade Lighting - Exterior Waterproof Down Light
MO-WW-BS - 20W 3 LED (2700k -12V)

MO: Wall Lights

NUMBER OF LEDs:	1	3
HALOGEN LUMEN OUTPUT EQUIVALENT:	10 Watt	20 Watt
USEFUL LED LIFE (L70):	50,000 hrs avg	50,000 hrs avg
INPUT VOLTAGE:	10 to 15V	10 to 15V
VA TOTAL: (Use this number to size the transformer)	2.4	4.5
WATTS USED:	2.0	4.2
LUMENS PER WATT (EFFICACY):		
RD	18.38	20.84
SQ	17.64	20.36
ST	35.20	42.93
WW	6.28	8.15
MAX LUMENS:		
RD	35.80	83.50
SQ	34.10	81.70
ST	68.10	169.44
WW	12.90	33.20
CRI (Ra):	81.80	81.50



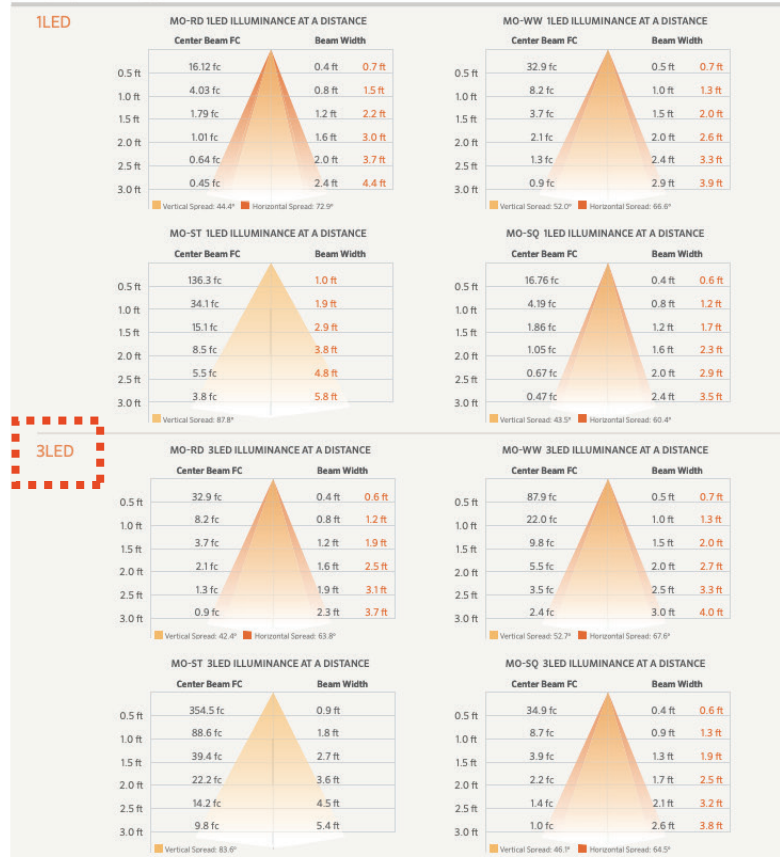
MO: Wall Lights

FACTORY INSTALLED OPTIONS: Order 1 + 2 (optional) + 3 + 4 + 5

Step	Description	Code
1	FIXTURE	MO
2		
3	LAMP	3LED (50,000 avg. life hours)
4	FACEPLATE	WW (Wall Wash),
5	FINISH	AB*, AT*, NP*, BS, WG, FW, AL, BZ, DG, WI, VF, SB, FB

EXAMPLE: MO-ZD-1LED-RD-BZ = MO - ZD Option - 1LED Board - Round Faceplate - Bronze Metallic Finish

PHOTOMETRICS:



NOTE: THIS IS A SOLE SOURCE ITEM.
NO SUBSTITUTIONS WITHOUT CITY AND
ARCHITECT APPROVAL OF A SUBSTITUTION.

METALS

- AB = Antique Bronze* (On Brass)
- AT = Antique Tumbled* (On Brass)
- NP = Nickel Plate*
- BS = Natural Brass

POWDER COAT

- WG = White Gloss
- FW = Flat White
- AL = Almond
- SV = Silver
- BZ = Bronze Metallic
- DG = Desert Granite
- WI = Weathered Iron
- VF = Verde Speckle
- SB = Sedona Brown
- FB = Flat Black

All MO wall lights come standard with amber, blue, and green filters

The MO includes a mounting conduit, 9 ft lead wire, and choice of LED board and faceplate finish.

* May require longer lead time

Photometric Charts: Beam angle is calculated using LM-79 method for SSL Luminaires. Beam angle is defined as two times the vertical angle at which the intensity is 50% of the maximum.



Learn more about FX Luminaire wall lights. Visit fxl.com

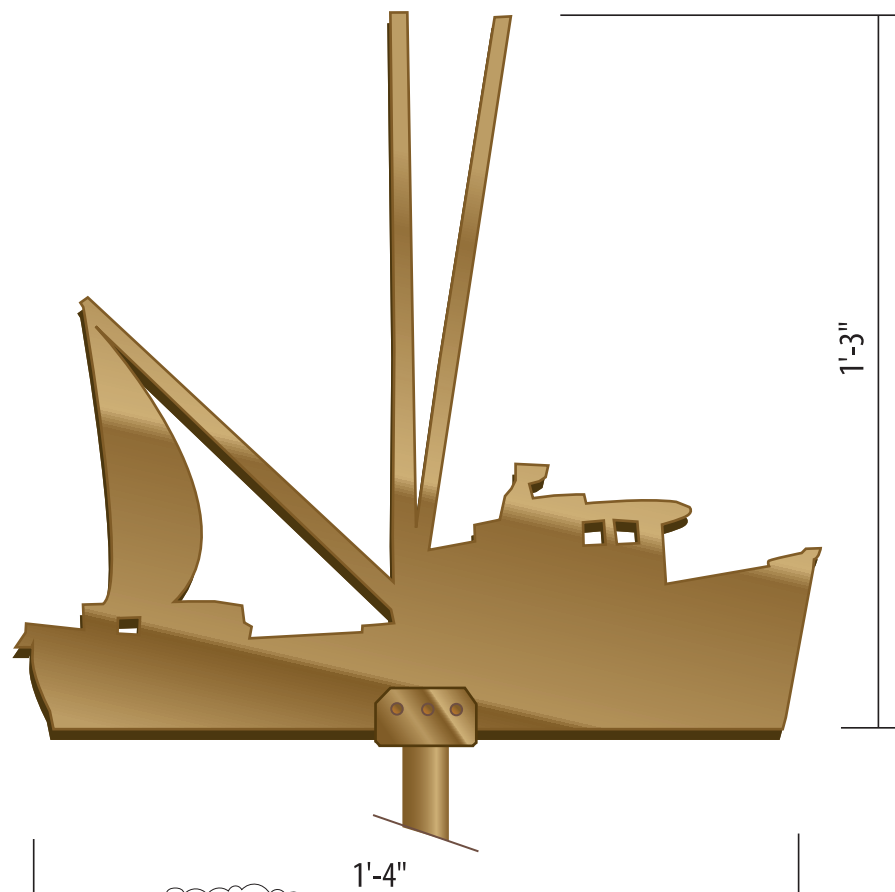
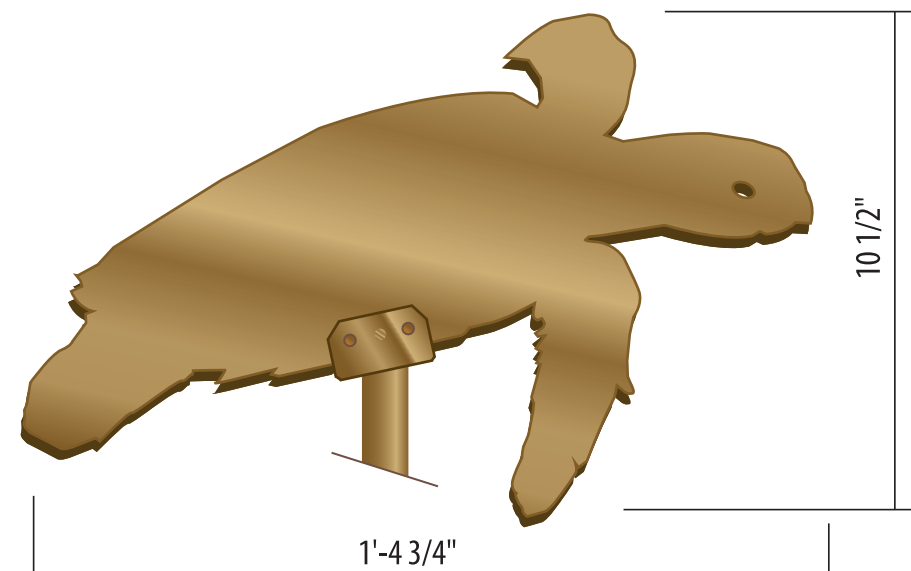
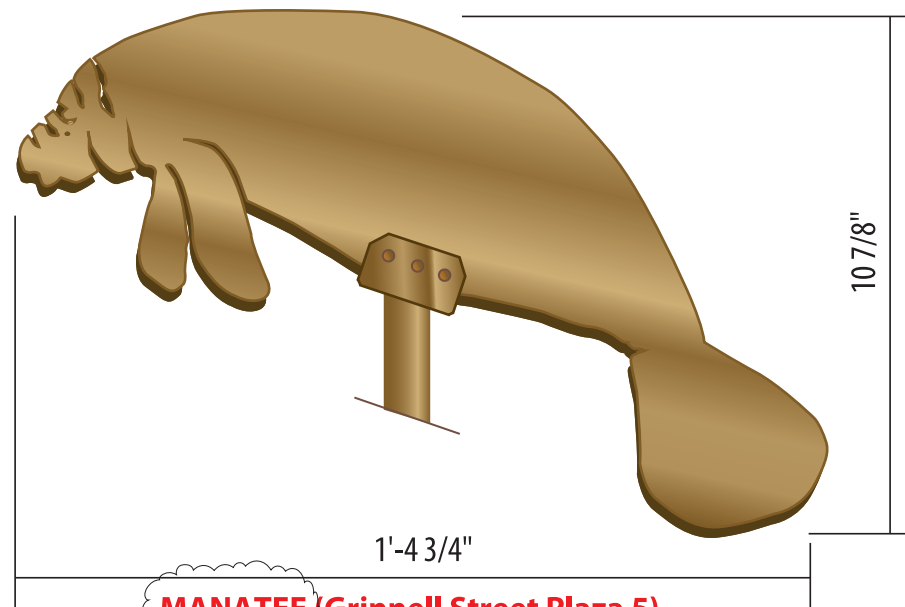
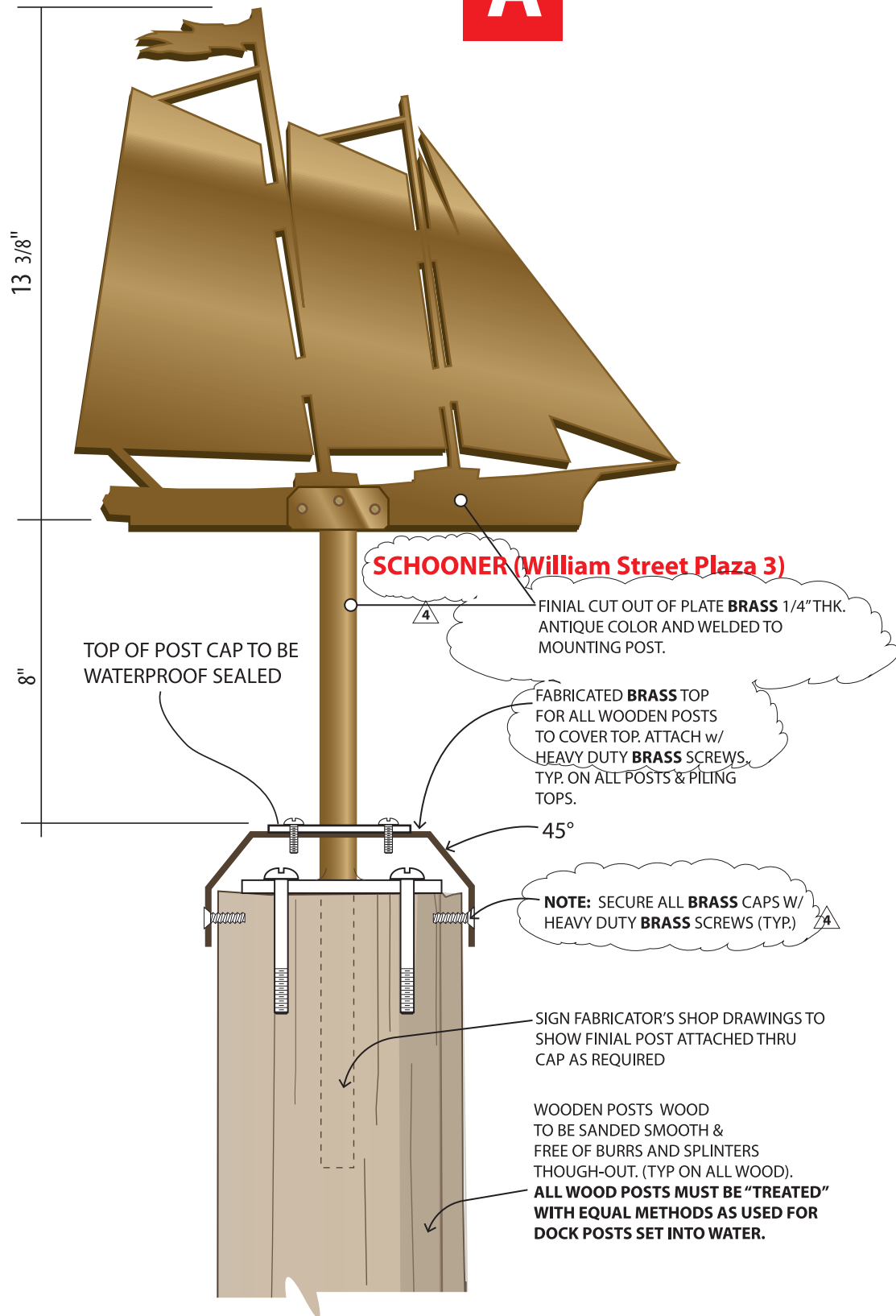
760.744.5240 | fxl.com

760.744.5240 | fxl.com FXLIT-188_SS_MO 11/14

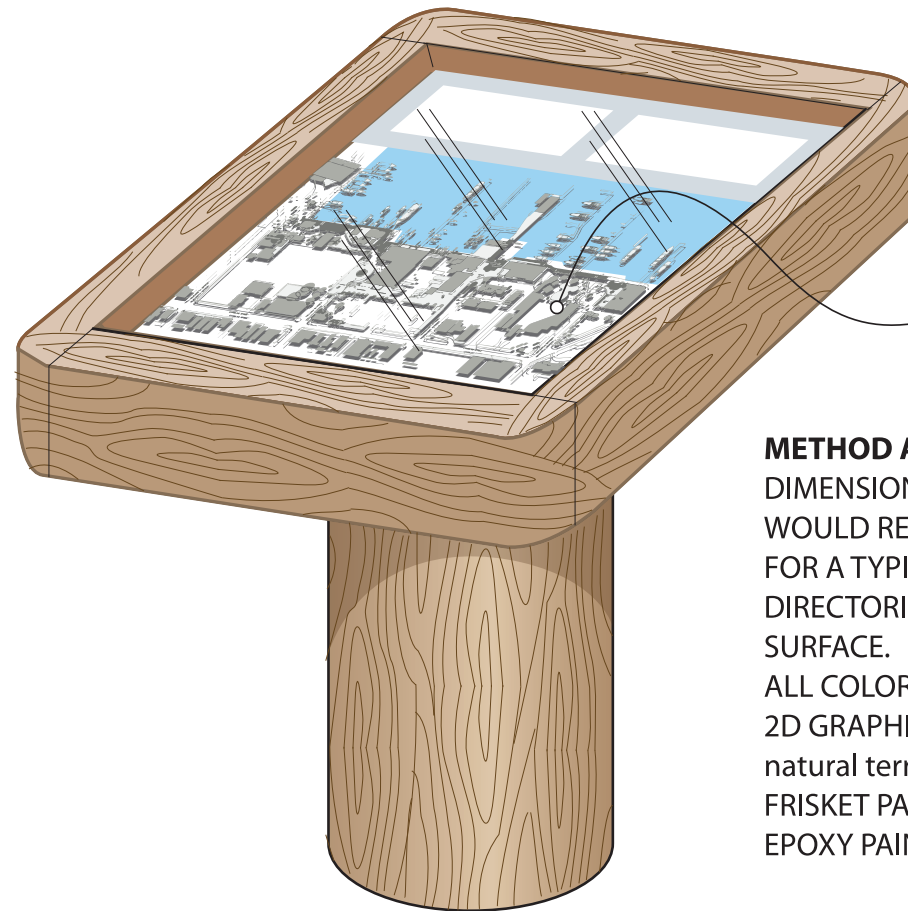
FXLuminaire

SIGN TYPE

A



SIGN TYPE **A**



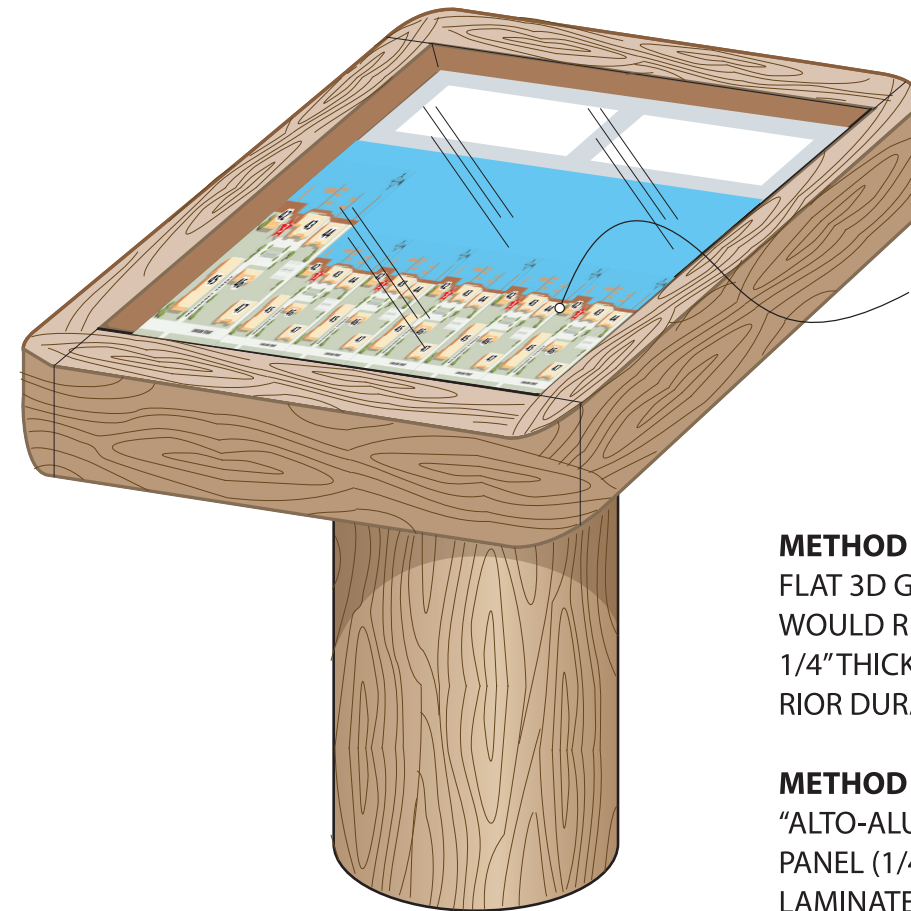
Opt. 1:
DIMENSIONAL STREET MAP
RECESSED INTO CABINET

METHOD A option:
DIMENSIONAL STREET MAP, MULTI-COLOR,
WOULD REQUIRE 3D PRINTING OR SCULPTING
FOR A TYPICAL MOLD TO ALLOW FOR QTY. 4
DIRECTORIES FINISHED WITH FIBERGLAS
SURFACE.
ALL COLORS OF DIMENSIONAL ELEMENTS AND
2D GRAPHICS (roads, pavements, labels, water,
natural terrain) MUST BE HAND-PAINTED or
FRISKET PAINTED WITH DURABLE EXTERIOR
EPOXY PAINTS.

METHOD B option:
DIMENSIONAL STREET MAP MADE FROM
MOLD-FORMED RESIN WITH "LUMINORE"
METALLIC LOOK, WOULD REQUIRE 3D PRINT-
ING OR SCULPTING FOR A TYPICAL MOLD TO
ALLOW FOR QTY. 4. FINISHES COULD BE
PEWTER, STEEL, BRASS, BRONZE.

PROTECTIVE CLEAR GLASS, SHATTERPROOF WITH
GASKETS/SEALS TO PREVENT WATER PENETRATION. GLASS
MUST BE REMOVABLE, BUT TAMPERPROOF, FOR ACCESS &
CHANGEABILITY OF DIRECTORY INFO. PANELS. SHOP
DRAWINGS REQUIRED BY SIGN CONTRACTOR, FOR
APPROVAL BY THE CITY, PRIOR TO FABICATION OF UNIT.

**OPTION A
DIMENSIONAL STREET MAP
CONCEPTUAL VIEW**



Opt. 2:
3D Graphic Map, IZone™
FULL COLOR 1/4" THK. PHENOLIC
DIGITALLY

METHOD A option:
FLAT 3D GRAPHIC STREET MAP, MULTI-COLOR,
WOULD REQUIRE DIGITAL PRINTING FOR QTY. 4,
1/4" THICK, EMBEDDED PHENOLIC RESIN. EXTE-
RIOR DURABILITY REQUIRED.

METHOD B option:
"ALTO-ALUMINUM" (www.altoaluminum.com/)
PANEL (1/4" THK.) or FOLIA, HIGH PRESSURE
LAMINATE GRAPHICS.

**OPTION B
3D GRAPHIC STREET MAP
CONCEPTUAL VIEW**

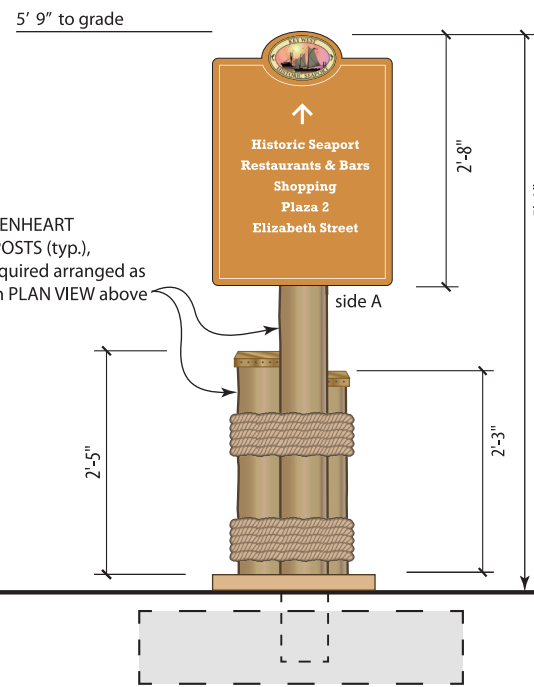
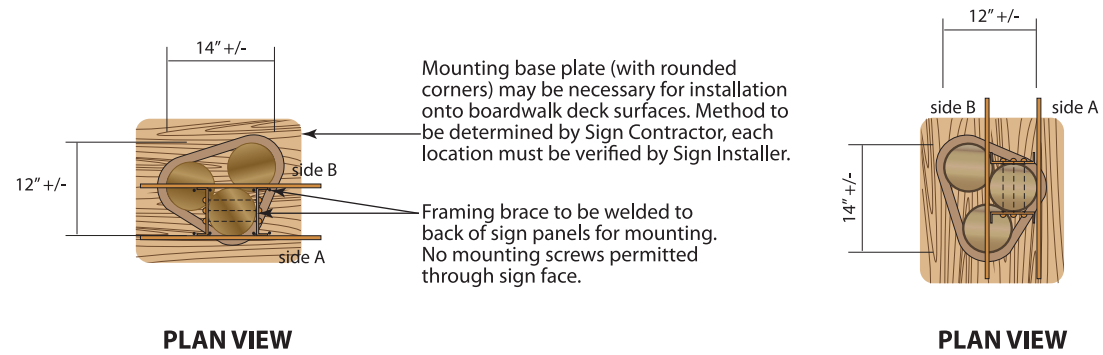
SIGN TYPE **B**

GREENHEART WOOD PILINGS ARE REQUIRED; SUBSTITUTIONS ARE NOT PERMITTED. CHECK DIAMETER AVAILABILITY AND NOTE ON YOUR SIGN FABRICATOR QUOTATION.

OPTION 1 - NATURAL FINISH THE PREFERRED FINISH OPTION. SELECT WOOD ACCORDINGLY.
OPTION 2 - SATIN TRANSPARENT STAIN FOR WOOD T.B.D.

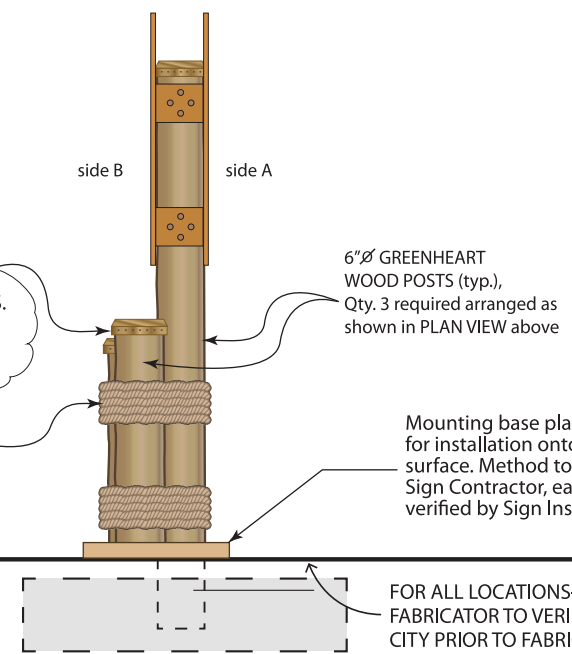
NOTE: SEE SIGN LOCATION PLAN & MESSAGE SCHEDULE FOR EXACT LOCATIONS & MESSAGES, SHEET A.0.2.

SEE SHEET B.1 FOR EXACT GRAPHIC LAYOUTS.



FAUX PAINTED ALUMINUM CAP TO MATCH VERDIGRIS BRASS FOR ALL WOODEN POSTS TO COVER TOP. ATTACH w/ HEAVY DUTY BRASS SCREWS (typ.) ON ALL POSTS & PILING TOPS. NOTE: SECURE ALL CAPS w/ HEAVY DUTY BRASS SCREWS (typ.)

1" Ø ROPE WRAPPING, MUST BE SECURED AND TAMPERPROOF.



FOR ALL LOCATIONS- FABRICATOR TO VERIFY W/ ARCHITECT AND CITY PRIOR TO FABRICATION & INSTALLATION, THE REQUIRED DEPTH BELOW GRADE TO ALLOW FOR PLAZA PAVING STONES AND/OR LANDSCAPING.

SIGN AND CONCRETE FOOTER (or other) TO BE DESIGNED BY THE FABRICATOR'S FLA LICENSED ENGINEER.

- SIGN TEXT AND VECTOR LOGO TO BE PROVIDED BY CITY TO THE FABRICATOR.
- TEXT ON EACH SIGN WILL VARY BY LOCATION. SEE SIGN MESSAGE SCHEDULE FOR EACH LOCATION.
- SIGN MAY BE SINGLE FACED OR DOUBLE FACED. VERIFY WITH CITY, PROVIDED TEXT & APPROVED MESSAGE SCHEDULE.

3/4" IZONE EXTERIOR GRADEUV RESISTANT PHENOLIC PANELS MOUNTED TO POST WITH S.S. FASTENERS
EACH SIGN LOCATION MUST BE VERIFIED AND APPROVED BY THE CITY WITH SIGN CONTRACTOR INITIAL WALK-THRU WITH CITY.



4649 ponce de leon blvd. suite 401 coral gables, florida 33146
305.669.2550 www.tgedesign.com contact: david@tgedesign.com

Key West Historic Seaport

Large Trail Blazer Sign

description:

1/2" = 1' - 0"

scale:

10.9.21

issues & revisions:

5/4/22

B

sheet:

SIGN TYPE **B**

Arrow direction is subject to change based on exact location of sign installation.



Sign No. 1 (single-faced)



Sign No. 5 (side A)



Sign No. 5 (side B)



Sign No. 9 (side A)

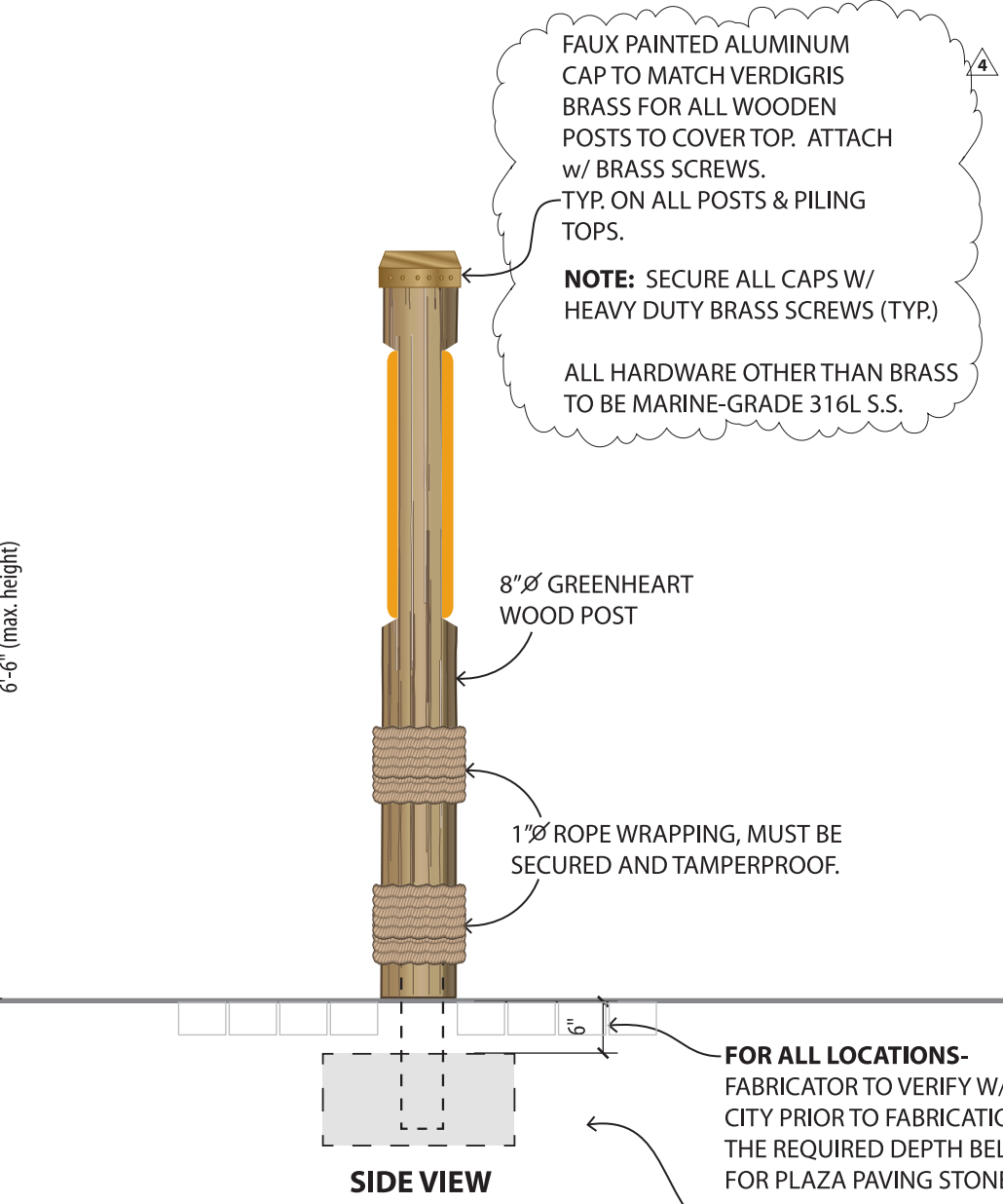
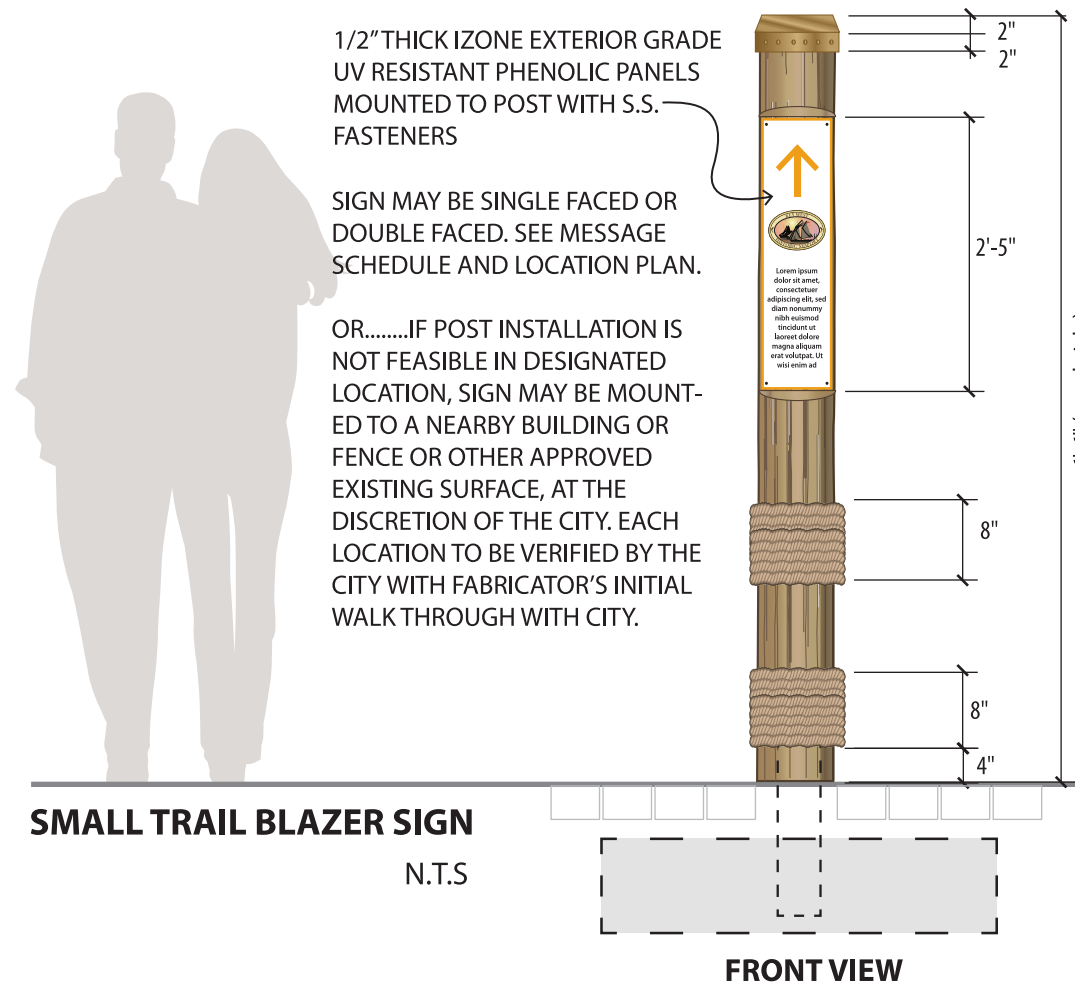


Sign No. 9 (side B)

SIGN PLAQUES OF 3/4" thk. IZONE EXTERIOR GRADE PHENOLIC UV RESISTANT PANELS MOUNTED TO POST with TAMPERPROOF 316L MARINE-GRADE FASTENERS & SUB FRAMING AS REQ'D FOR RIGIDITY AND SECURE MOUNTING. ALL SHARP CORNERS & EDGES MUST BE SOFTENED.

NO VISIBLE SCREWS OR FASTENERS PERMITTED ON SIGN FACES. ANY VISIBLE FRAMING BEHIND SIGN PANELS MUST BE PAINTED TO MATCH SIGN FACE.

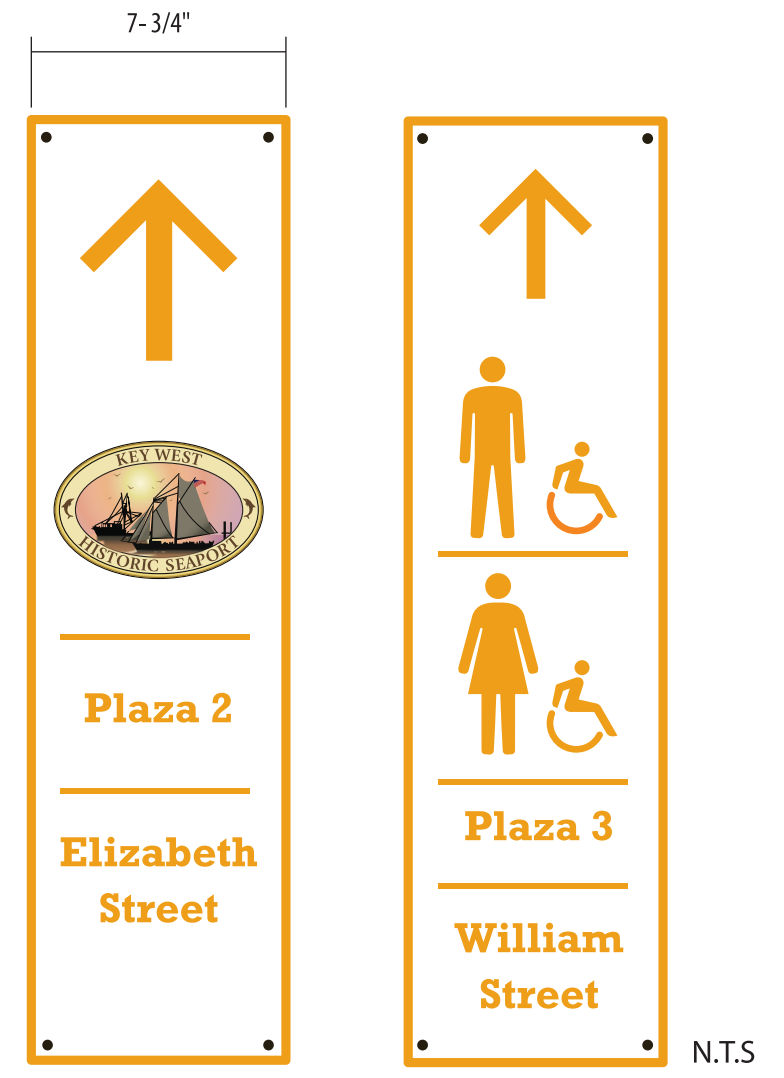
FONT USED: **ROCKWELL BOLD**



GREENHEART WOOD PILINGS ARE REQUIRED; SUBSTITUTIONS ARE NOT PERMITTED. CHECK DIAMETER AVAILABILITY AND NOTE ON YOUR SIGN FABRICATOR QUOTATION.

FOR ALL LOCATIONS- FABRICATOR TO VERIFY W/ ARCHITECT AND CITY PRIOR TO FABRICATION & INSTALLATION, THE REQUIRED DEPTH BELOW GRADE TO ALLOW FOR PLAZA PAVING STONES AND/OR LANDSCAPING.

SIGN AND CONCRETE FOOTER TO BE DESIGNED BY THE FABRICATOR'S FLORIDA LICENSED ENGINEER.

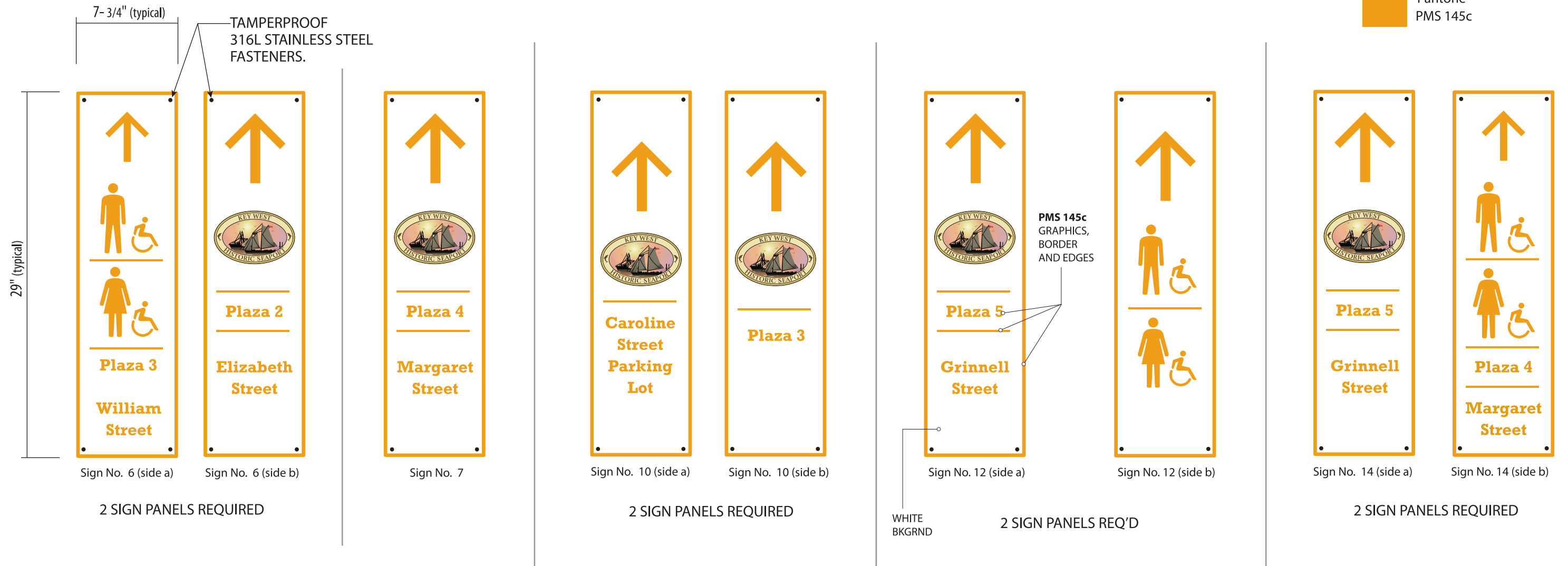


SIGN PLAQUES OF 1/2" thk. IZONE EXTERIOR GRADE UV RESISTANT PHENOLIC PANELS MOUNTED TO POST WITH TAMPERPROOF 316L STAINLESS STEEL FASTENERS. SHARP CORNERS AND EDGES MUST BE SOFTENED.

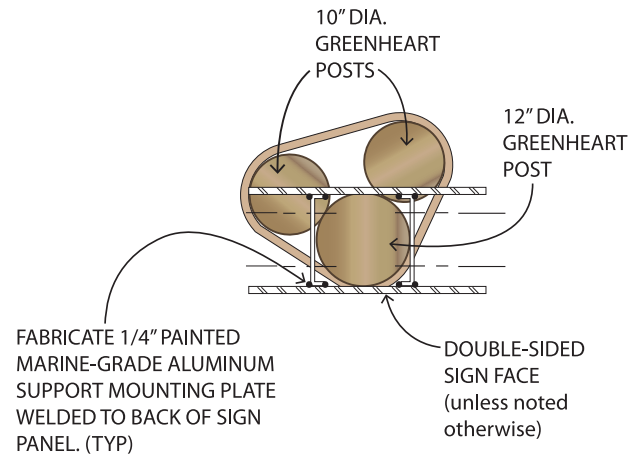
PLAQUES ATTACHED TO WOOD POSTS WITH STEEL FASTENERS AND SILICON ADHESIVES MADE FOR EXTERIOR USE.

FONT USED: **ROCKWELL BOLD**

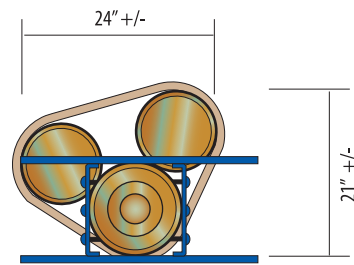
Pantone PMS 145c



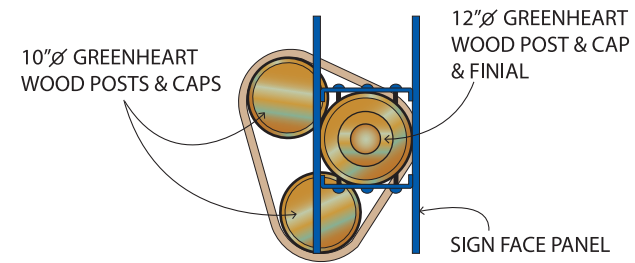
SIGN TYPE **D**



SECTION THRU MOUNTING BRACKET



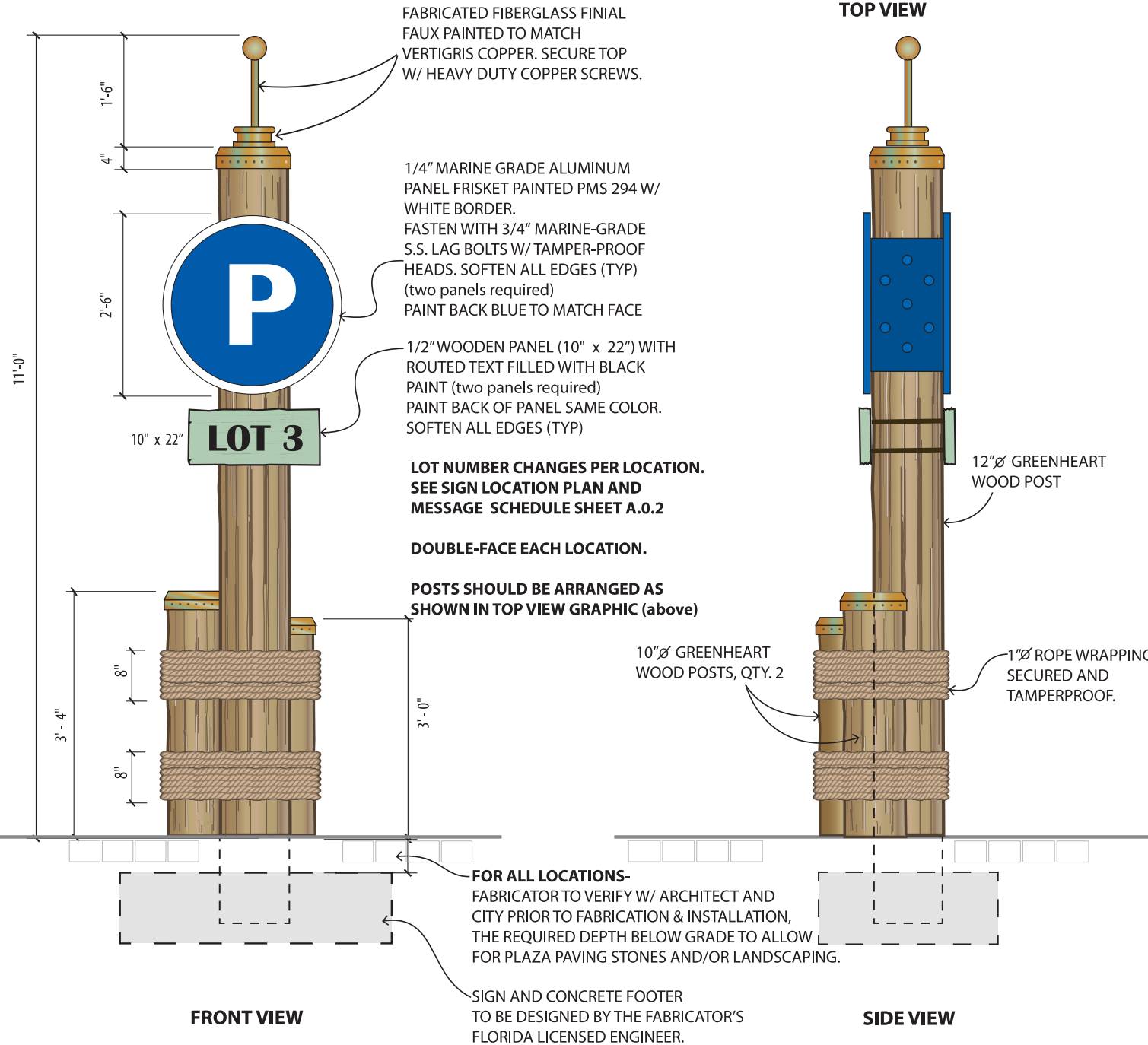
TOP VIEW



TOP VIEW

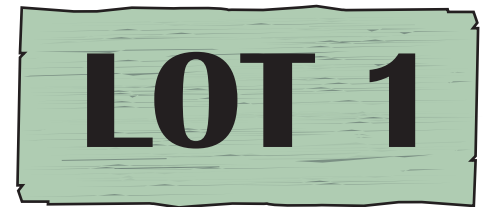


PANEL DETAIL SHOWING TYPICAL SHAPE & WOOD GRAIN

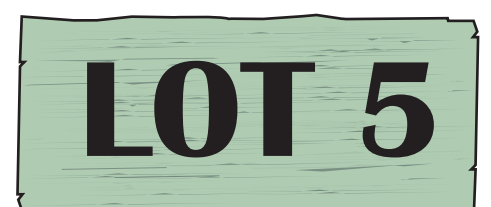
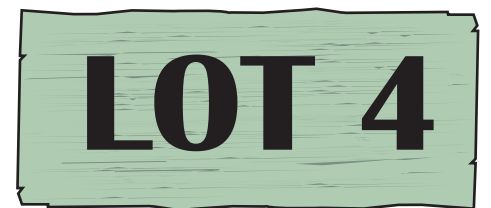
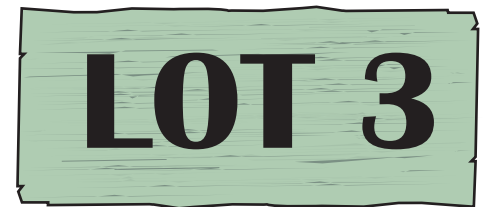
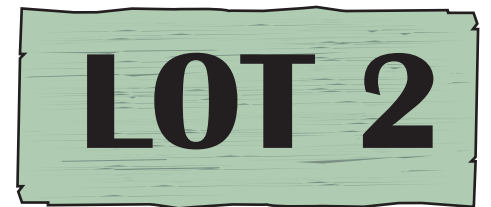


FRONT VIEW

SIDE VIEW



10" x 22"



FONT USED: **BRITANNIC BOLD**
 LOT NUMBER CHANGES PER LOCATION.
 SEE SIGN LOCATION PLAN AND
 MESSAGE SCHEDULE SHEET A.0.2

OPTION 1 - NATURAL FINISH THE PREFERRED FINISH OPTION. SELECT WOOD ACCORDINGLY.
 OPTION 2 - SATIN TRANSPARENT STAIN FOR WOOD T.B.D.

GREENHEART WOOD PILINGS ARE REQUIRED; SUBSTITUTIONS ARE NOT PERMITTED. CHECK DIAMETER AVAILABILITY AND NOTE ON YOUR SIGN FABRICATOR QUOTATION.

© 2019 TGA Design, Inc. This drawing and all the designs, ideas, arrangements and plans indicated thereon or represented hereby are owned by and remain the property of TGA Design, Inc. and have been created and developed for use on, and in conjunction with, the specified project. Neither this drawing nor any such designs, ideas, arrangements and plans shall be appropriated by or disclosed to any person, firm or corporation for any use or purpose whatsoever except by the specific and written permission of TGA Design, Inc. Written dimensions on drawings shall have authority over scale. Contractors and manufacturers shall verify and be responsible for all dimensions and conditions on the job and inform this office of all variations from drawings prior to performing the work. This office shall approve details before fabrication.



4649 ponce de leon blvd. suite 401 coral gables, florida 33146
 305.669.2550 www.tgedesign.com contact: david@tgedesign.com

**Key West
 Historic Seaport**

Parking Directional

description:

1/2" = 1' 0"

scale:

5/4/22

issues & revisions:

D

sheet: