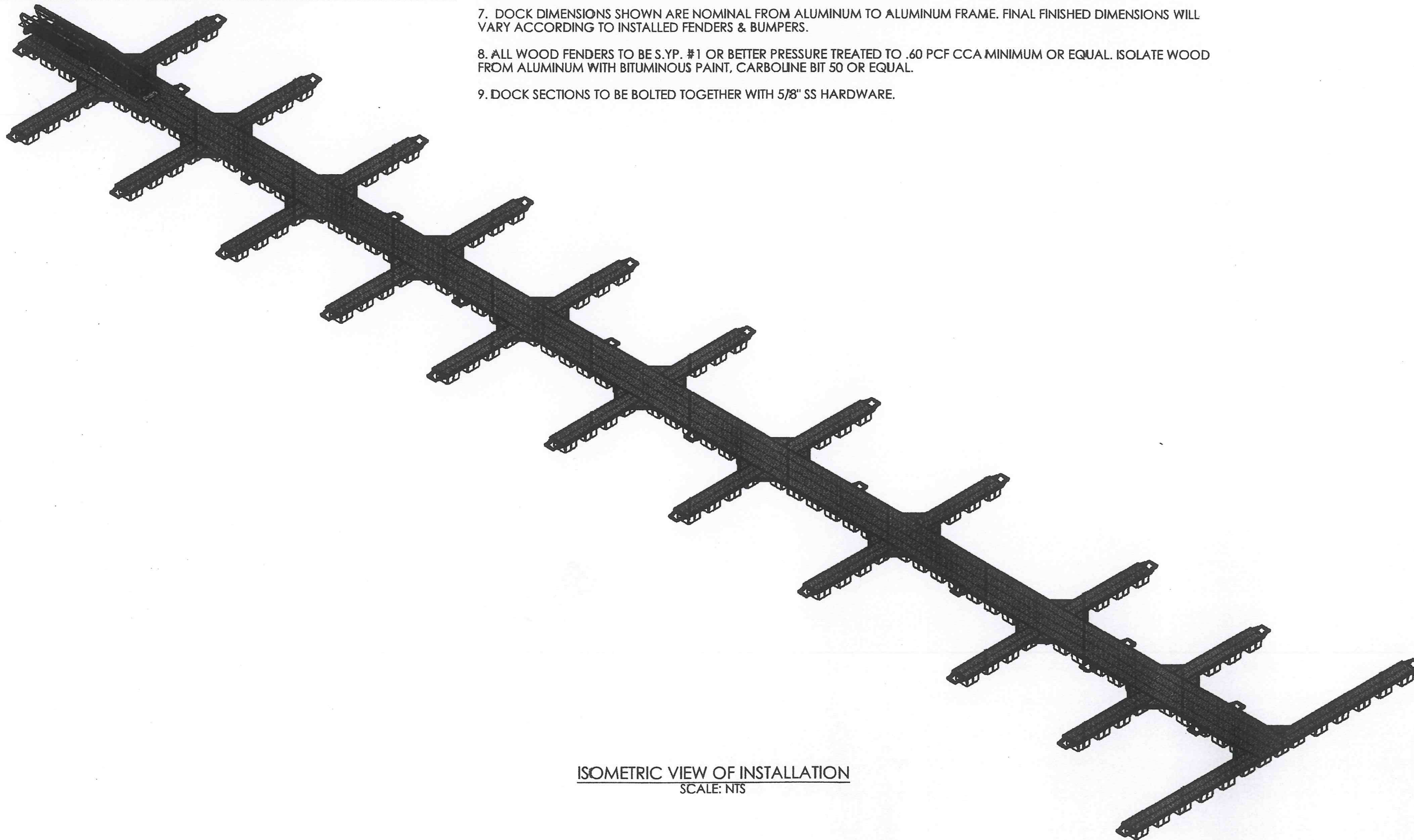


ITEM NO.	DESCRIPTION	QTY.
1	12' x 40' ALUMINUM FLOATING DOCK A	1
2	10' x 40' ALUMINUM FLOATING DOCK B-I	8
3	10' x 39' ALUMINUM FLOATING DOCK J	1
4	4' x 25' FLOATING DOCK FINGER 1-20	20
5	4' x 4' KNEE W/ CONNECTIONS	42
6	EXTERNAL PILE GUIDE	35
7	5' x 40' DR1 HINGED GANGWAY	1
8	4' x 40' DOCK FINGERS 21-22	2
9	BULKHEAD ATTACHMENT	1

NOTES:

1. ALL STRUCTURAL ALUMINUM IS ALLOY 6061-T6, MILL FINISH.
2. ALL WELDED FABRICATION IN ACCORDANCE WITH AWS D1.2, UNLESS NOTED OTHERWISE. FILLER METAL TO BE 5356 SERIES WIRE.
3. ALL HARDWARE IS STAINLESS STEEL, SERIES 304.
4. FLOATING DOCKS DESIGNED FOR ~2'-4" ± UNLOADED FREEBOARD AND A MINIMUM 9" LOADED FREEBOARD UNDER A 50PSF LIVE LOAD.
5. GANGWAYS DESIGNED FOR 50 PSF LIVE LOAD, L/180 DEFLECTION.
6. HAND RAILING DESIGNED FOR 50 PLF LIVE LOAD OR 250# POINT LOAD, L/180 DEFLECTION.
7. DOCK DIMENSIONS SHOWN ARE NOMINAL FROM ALUMINUM TO ALUMINUM FRAME. FINAL FINISHED DIMENSIONS WILL VARY ACCORDING TO INSTALLED FENDERS & BUMPERS.
8. ALL WOOD FENDERS TO BE S.Y.P. #1 OR BETTER PRESSURE TREATED TO .60 PCF CCA MINIMUM OR EQUAL. ISOLATE WOOD FROM ALUMINUM WITH BITUMINOUS PAINT, CARBOLINE BIT 50 OR EQUAL.
9. DOCK SECTIONS TO BE BOLTED TOGETHER WITH 5/8" SS HARDWARE.



ISOMETRIC VIEW OF INSTALLATION  
SCALE: NTS

THE INFORMATION CONTAINED IN THIS DRAWING IS THE SOLE PROPERTY OF GATOR DOCK & MARINE, LLC. ANY REPRODUCTION IN PART OR AS A WHOLE WITHOUT THE WRITTEN PERMISSION OF GATOR DOCK & MARINE, LLC IS PROHIBITED.

RECORD OF REVISIONS

No.	DATE	DESCRIPTION:
0	1/16/13	FOR APPROVAL
1	1/30/13	35' FINGER TO 40', RAMP
2	2/19/13	DESIGN UPDATE

PROJECT NAME:  
**ALUMINUM  
FLOATING DOCK  
SYSTEM**

CUSTOMER NAME:  
**EBSARY  
FOUNDATION CO.**

CUSTOMER ADDRESS:  
2154 NW NORTH RIVER DR.  
MIAMI, FL 33125

PROJECT LOCATION:  
1801 N. ROOSEVELT BLVD.  
KEY WEST, FL 33040

CMI ORDER NO.:  
128878

CUSTOMER PO NO.:  
TARPON PIER-BASE

	NAME	DATE
DRAWN BY:	DPH	1/16/13
CHECKED BY:	JP	1/16/13

DRAWING NO.:  
**G-1**  
ISOMETRIC VIEW OF  
MODEL AND BOM

\*Physical properties are defined by ASTM testing standards, The Aluminum Association Design Manual, The Naval Facilities Design Manual, DW 72, and The US Army Corps of Engineers General Design Guide: PVC Sheet Pile and/or standard engineering practice. The values shown are nominal and may vary. The information found in this document is believed to be true and accurate. No warranties of any kind are made as to the suitability of any CMI product for particular applications or the results obtained there from. Crane Materials International is a Crane Building Products company. ShoreGuard®, The ShoreGuard Seawall System™, C-Lo®, TimberGuard®, Geo-Duro®, Dura Dock®, Shore-All®, GatorGate®, GatorDock Elite™, ArmorWare™, ArmorRock™, Back Profile™, UltraComposite™, The Steel Alternative™, Elite Wall™, Elite Frame™, Elite Fracture Frame™, FastFrame™, VCR™, VCR technology™, VCR Vinyl™, GatorBridge™, GatorAluminum™, Gator Sheet Piling™, GatorDock™, Keem Lock™, Textured Side™, Crane Materials International™ logo, CMI Sheet Piling Solutions™, Aqua Terra System™, Endurance™, Endurance CS™, Polaris™, Escape™, CrisSore™, 21 Poly™, FlexClaw™, ShoreScope™, ShoreScope Retaining Wall Systems™, Sheer Panel™ and CMI Waterfront Solutions™ are trademarks, service marks or trade names of Crane Materials International. CRANE MATERIALS INTERNATIONAL products are covered by one or more of the following U.S. Patents and International Patents: 4,674,921; 4,690,536; 5,292,208; 5,145,287; 6,000,883; 6,033,155; 6,063,444; 6,420,154; 6,575,667; 7,059,837; 7,054,046; 7,023,537; 5,503,533; 5,883,472; 6,231,271; 7,245,061 CA; 7,784,257 and other patents pending. ©2005-2012 Crane Materials International. All Rights Reserved.\*

2/20/13  
Pedro P. Giralt, P.E.  
License No. 16946  
State of Florida  
12260 SW 94th. Street  
Miami, FL 33186  
Authorized By:

THE INFORMATION CONTAINED IN THIS DRAWING IS THE SOLE PROPERTY OF GATOR DOCK & MARINE, LLC. ANY REPRODUCTION IN PART OR AS A WHOLE WITHOUT THE WRITTEN PERMISSION OF GATOR DOCK & MARINE, LLC IS PROHIBITED.

RECORD OF REVISIONS		
No.	DATE	DESCRIPTION:
0	1/16/13	FOR APPROVAL
1	1/30/13	35' FINGER TO 40', RAMP
2	2/19/13	DESIGN UPDATE

PROJECT NAME:  
**ALUMINUM  
 FLOATING DOCK  
 SYSTEM**

CUSTOMER NAME:  
**EBSARY  
 FOUNDATION CO.**

CUSTOMER ADDRESS:  
 2154 NW NORTH RIVER DR.  
 MIAMI, FL 33125

PROJECT LOCATION:  
 1801 N. ROOSEVELT BLVD.  
 KEY WEST, FL 33040

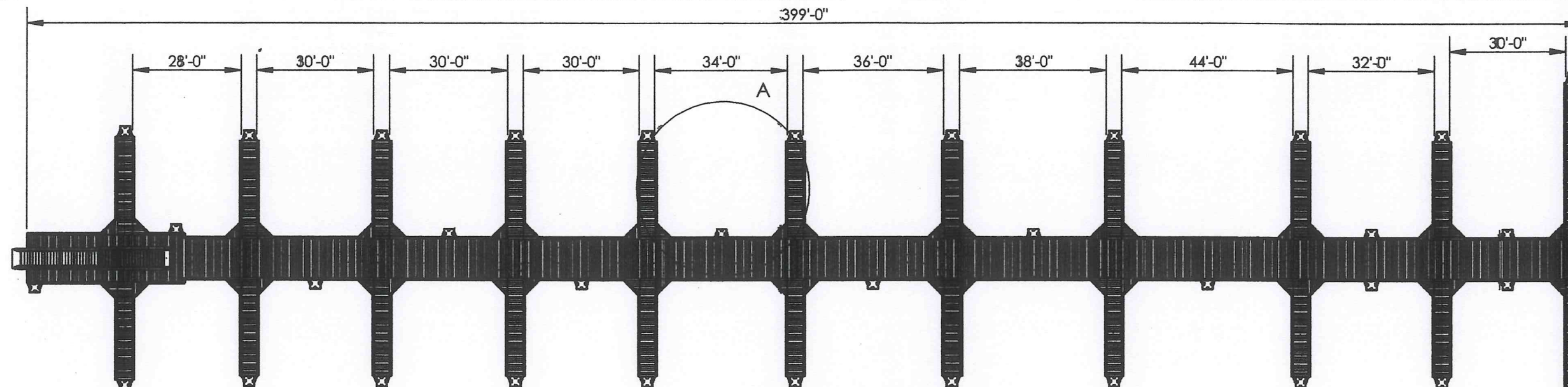
CMI ORDER NO.:  
 128878

CUSTOMER IPO NO.:  
**TARPON PIER-BASE**

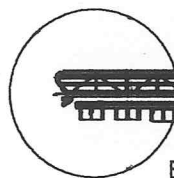
NAME	DATE
DPH	1/16/13
JP	1/16/13

DRAWING NO.:  
**G-2**  
 SYSTEM OVERVIEW

\*Physical properties are defined by ASTM testing standards, The Aluminum Association Design Manual, The Naval Facilities Design Manual, DNV 2.2, and the US Army Corps of Engineers General Design Guide: PVC Sheet Pile and/or Standard engineering practice. The values shown are nominal and may vary. The information found in this document is believed to be true and accurate. No warranties of any kind are made as to the suitability of any CMI product for particular applications or the results obtained there from. Crane Materials International is a Crane Building Products company. ShoreGuard®, The Shore Guard Seawall System™, C-Loch™, TimberGuard®, GeoGuard®, Dura Dock®, Shore-All®, GatorGate®, GatorDock®, Elite™, ArmorWare™, ArmorRod™, Box Frame™, UltraComposite™, The Steel Alternative™, Elite Work™, Elite Panels™, Elite Fencing Panels™, FlatPans™, XCR™, XCR Technology™, XCR Vinyl™, Coltrane™, GatorAluminum™, Gator Steel Piling™, GatorDock™, Helium Lock™, Tensioned Slope™, Crane Materials International™ logo, CMI Sheet Piling Solutions™, Aqua Tera System™, Endurance™, Endurance Crane, Endurance™, Endurance™, 21 Poly™, FlatClaw™, SheerScope™, SheerScope Retaining Wall System™, Sheer Panels™ and CMI Waterfront Solutions™ are trademarks, service marks or trade names of Crane Materials International. CRANE MATERIALS INTERNATIONAL products are covered by one or more of the following U.S. Patents and International Patents: 4,474,921; 4,693,268; 5,297,208; 5,142,287; 6,000,882; 6,033,135; 6,053,666; 6,420,154; 6,575,667; 7,059,807; 7,054,644; 7,055,539; 7,293,462; 5,533,503; 5,823,672; 6,231,271; 1,245,061 CA; 7,914,237 and other patents pending. ©2009-2012 Crane Materials International. All Rights Reserved.



**OVERALL SYSTEM PLAN VIEW**  
 SCALE: NTS

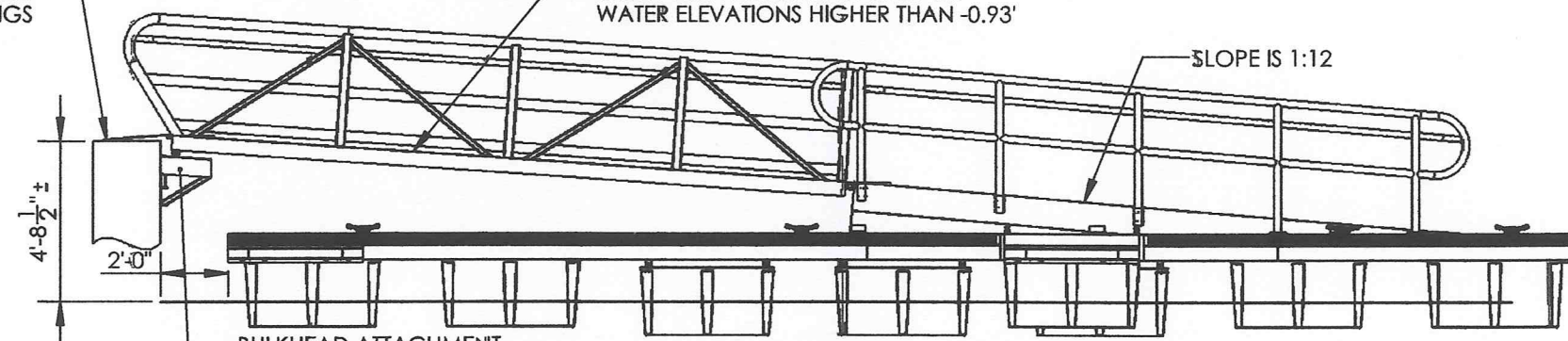


TOP OF SEAWALL CAP SET TO 4.48' PER CUSTOMER SUPPLIED DRAWINGS

**OVERALL SYSTEM ELEVATION VIEW**  
 SCALE: NTS

SLOPE IS APPROX 1:14  
 SLOPE WILL BE LESS THAN 1:12 FOR WATER ELEVATIONS HIGHER THAN -0.93'

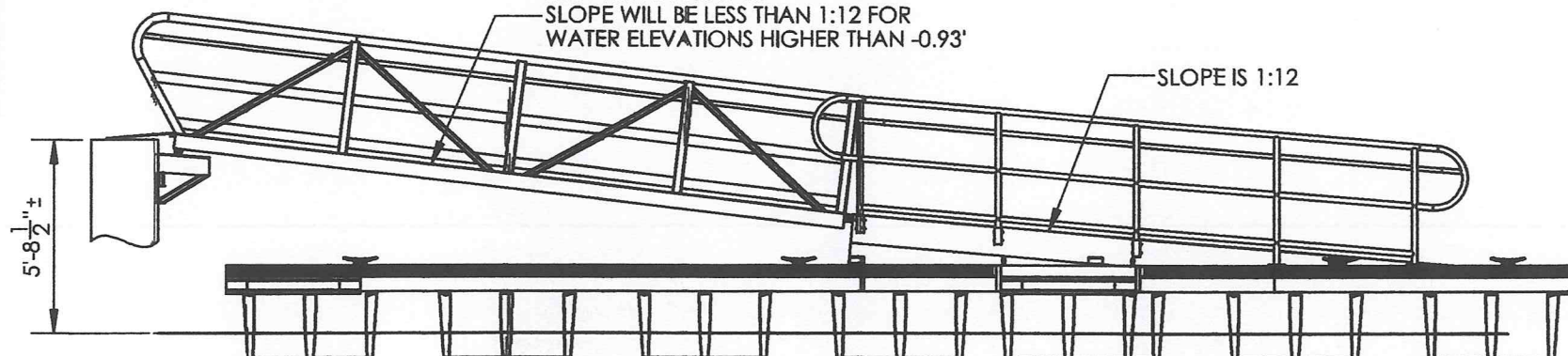
SLOPE IS 1:12



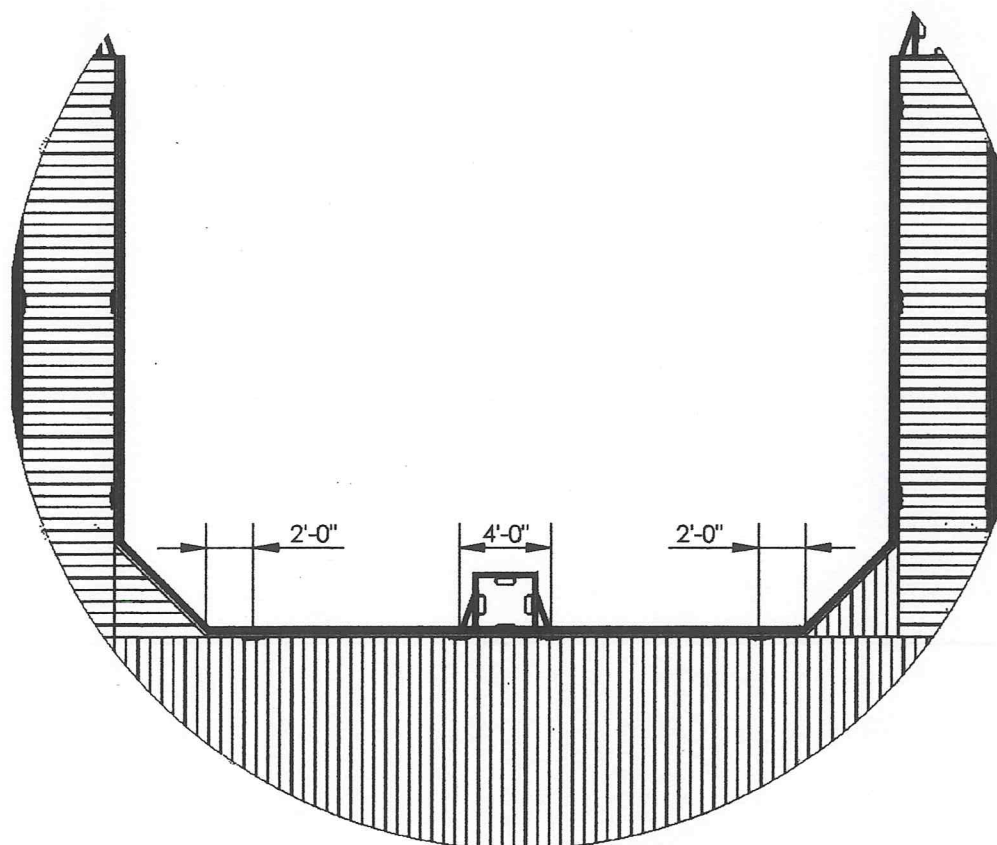
**DETAIL B - FLOAT LEVELS (-.23' WATER LEVEL)**  
 SCALE: NTS

SLOPE IS APPROX 1:8  
 SLOPE WILL BE LESS THAN 1:12 FOR WATER ELEVATIONS HIGHER THAN -0.93'

SLOPE IS 1:12



**DETAIL B - FLOAT LEVELS (-1.24' WATER LEVEL)**  
 SCALE: NTS



**DETAIL A**  
 SCALE: NTS  
 TYPICAL CLEAT LOCATIONS BETWEEN FINGERS

*8/20/13*  
 Pedro P. Giralt, P.E.  
 License No. 16946  
 State of Florida  
 12260 SW 94th. Street  
 Miami, FL 33186

Authorized By:

THE INFORMATION CONTAINED IN THIS DRAWING IS THE SOLE PROPERTY OF GATOR DOCK & MARINE, LLC. ANY REPRODUCTION IN PART OR AS A WHOLE WITHOUT THE WRITTEN PERMISSION OF GATOR DOCK & MARINE, LLC IS PROHIBITED.

RECORD OF REVISIONS

No.	DATE	DESCRIPTION:
0	1/16/13	FOR APPROVAL
1	1/30/13	35' FINGER TO 40', RAMP
2	2/19/13	DESIGN UPDATE

PROJECT NAME:  
**ALUMINUM FLOATING DOCK SYSTEM**

CUSTOMER NAME:  
**EBSARY FOUNDATION CO.**

CUSTOMER ADDRESS:  
 2154 NW NORTH RIVER DR.  
 MIAMI, FL 33125

PROJECT LOCATION:  
 1801 IN. ROOSEVELT BLVD.  
 KEY WEST, FL 33040

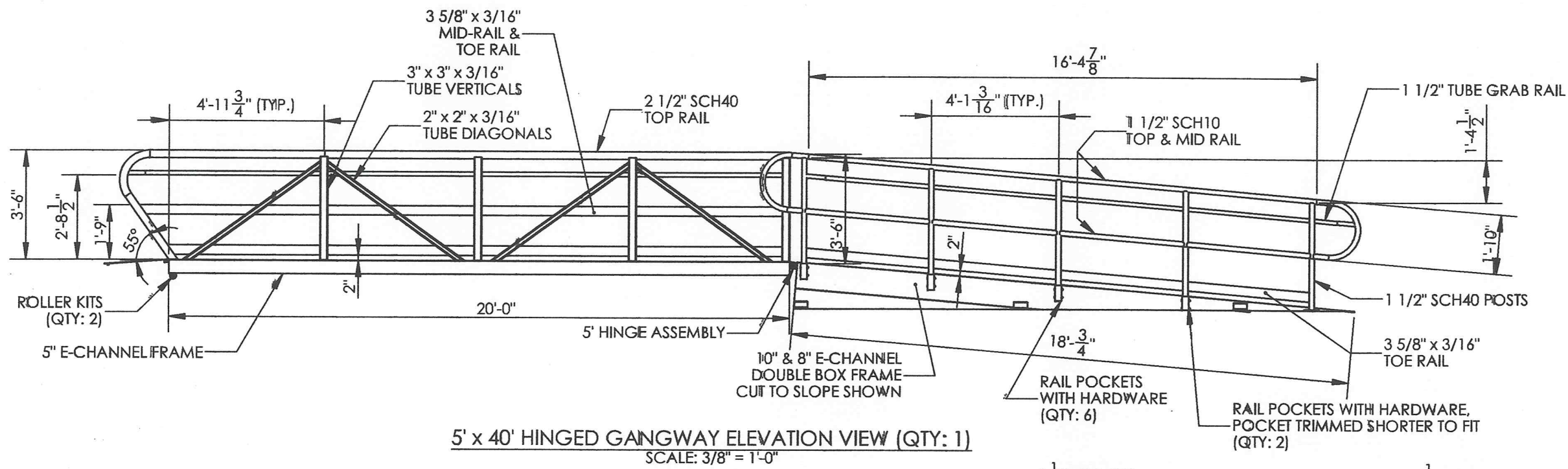
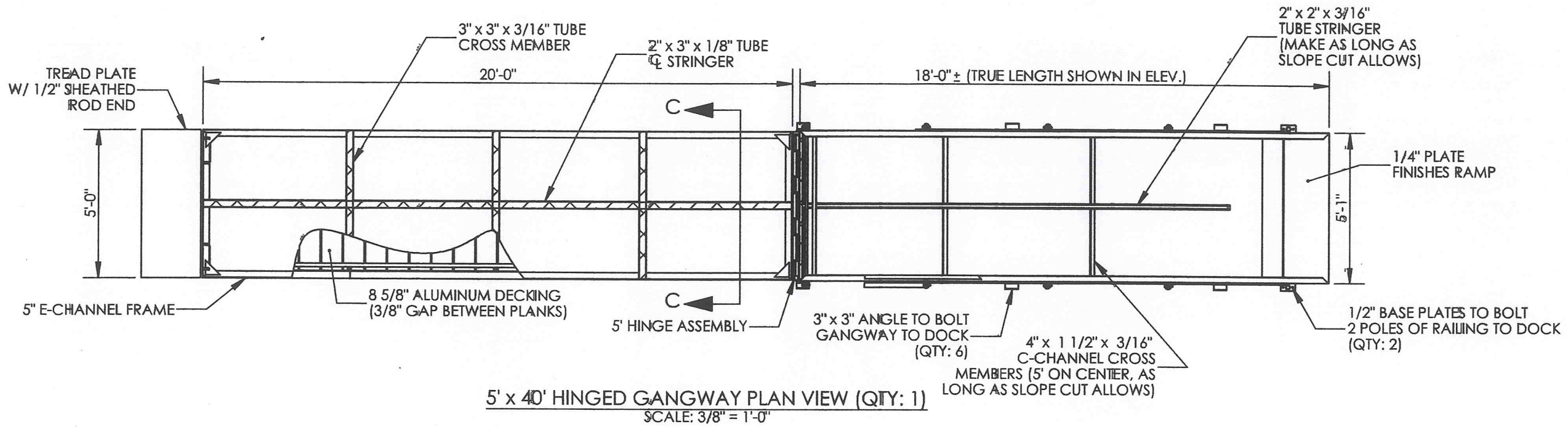
CMI ORDER NO.:  
 128878

CUSTOMER IPO NO.:  
 TARPON PIER-BASE

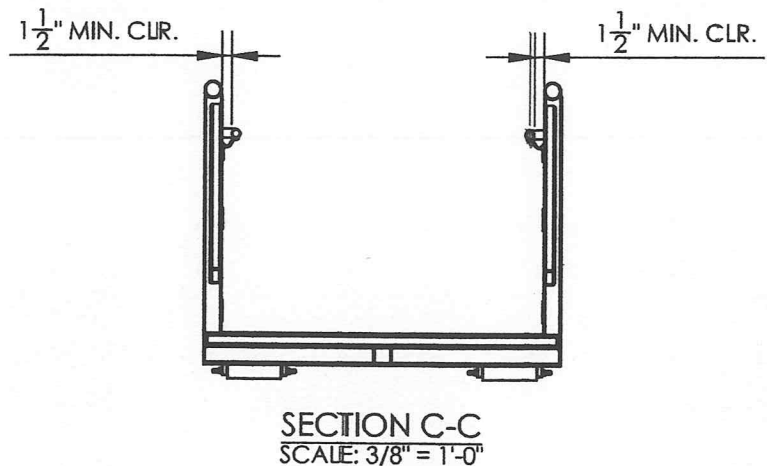
NAME	DATE
DRAWN BY: DPH	1/16/13
CHECKED BY: JP	1/16/13

DRAWING NO.:  
**G-3**  
 5' x 30' HINGED GANGWAY DETAILS

Physical properties are defined by ASTM testing standards. The Aluminum Association Design Manual and/or standard engineering practice. The values shown are nominal and may vary. The information found in this document is believed to be true and accurate. No warranties of any kind are made as to the suitability of any CMI product for particular applications or the results obtained there from. ShoreGuard, C-Loc, TimberGuard, GeoGuard, Dura Dock, Shore-All, and Gator Gates are registered trademarks of Crane Materials International. ArmorWare, Ultra Composite, GatorDocks, and CMI Waterfront Solutions are trademarks of Crane Materials International. United States and International Patent numbers 5,714,287; 5,881,508; 6,000,883; 6,033,155; 6,053,666; 6,422,154; 4,674,921; 4,690,586; 5,292,208; 6,575,667; 7,059,807; 7,056,066; 7,025,539; 1,245,061; Other patents pending. © 2008 Crane Materials International. All Rights Reserved.



NOTE: IDR1 SECTION OF RAMP IS 5'-0" WIDE, DR2 SECTION IS 5'-1" WIDE. THIS ALLOWS THE RAILINGS TO CLEAR EACH OTHER AND ELIMINATE PINCH.



*Signature*  
 Pedro P. Giralt, P.E.  
 License No. 16946  
 State of Florida  
 12260 SW 94th. Street  
 Miami, FL 33186

THE INFORMATION CONTAINED IN THIS DRAWING IS THE SOLE PROPERTY OF GATOR DOCK & MARINE, LLC. ANY REPRODUCTION IN PART OR AS A WHOLE WITHOUT THE WRITTEN PERMISSION OF GATOR DOCK & MARINE, LLC IS PROHIBITED.

**RECORD OF REVISIONS**

No.	DATE	DESCRIPTION:
0	1/16/13	FOR APPROVAL
1	1/30/13	35' FINGER TO -40', RAMP
2	2/19/13	DESIGN UPDATE

PROJECT NAME:

**ALUMINUM  
FLOATING DOCK  
SYSTEM**

CUSTOMER NAME:

**EBSARY  
FOUNDATION CO.**

CUSTOMER ADDRESS:

2154 NW NORTH RIVER DR.  
MIAMI, FL 33125

PROJECT LOCATION:

1801 IN. ROOSEVELT BLVD.  
KEY WEST, FL 33040

CMI ORDER NO.:

128878

CUSTOMER IPO NO.:

TARPON PIER-BASE

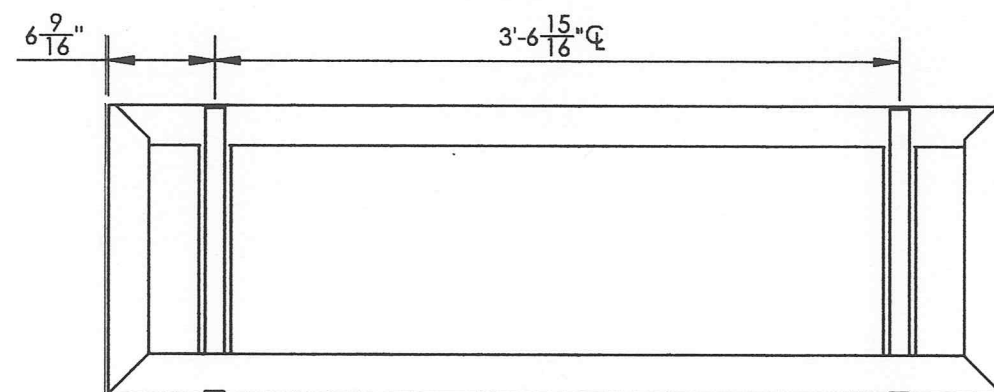
	NAME	DATE
DRAWN BY:	DPH	1/16/13
CHECKED BY:	JP	1/16/13

DRAWING NO.:

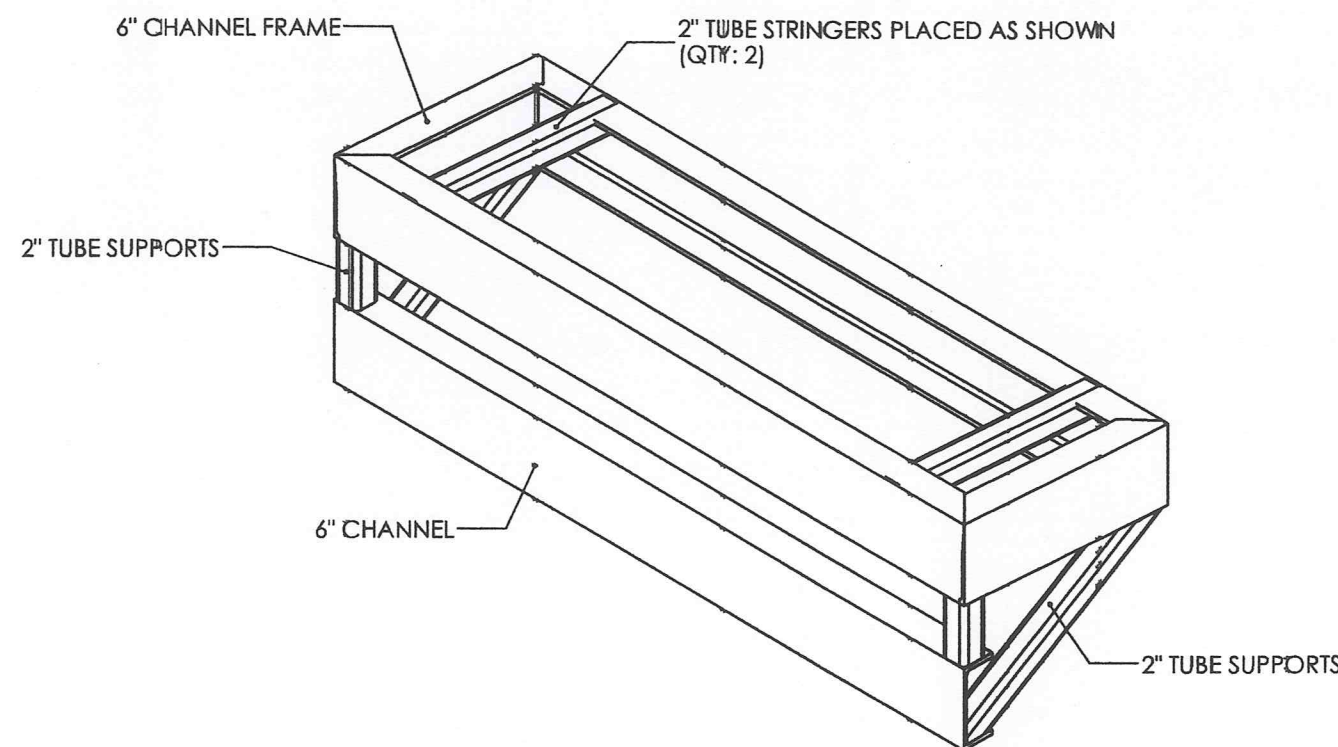
**G-3A**

**BULKHEAD  
ATTACHMENT DETAILS**

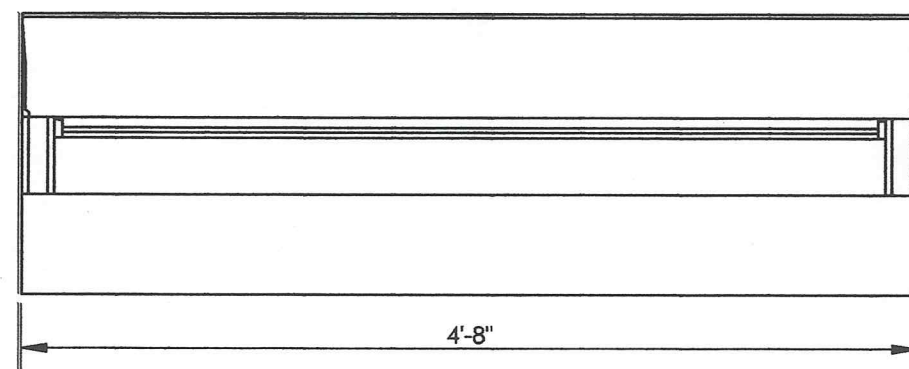
Physical properties are defined by ASTM testing standards, The Aluminum Association Design Manual, and/or standard engineering practice. The values shown are nominal and may vary. The information found in this document is believed to be true and accurate. No warranties of any kind are made as to the suitability of any CMI product for particular applications or the results obtained there from. ShoreGuard, C-Loc, TimberGuard, GeoGuard, Dura Dock, Shore-All, and Gator Gates are registered trademarks of Crane Materials International. ArmorWare, Ultra Composite, GatorDocks, and CMI Waterfront Solutions are trademarks of Crane Materials International. United States and International Patent numbers 5,714,287; 5,881,508; 6,000,883; 6,033,155; 6,053,666; 6,420,154; 4,674,921; 4,690,598; 5,292,208; 6,575,667; 7,059,807; 7,056,066; 7,025,539; 1,245,061; Other patents pending. © 2008 Crane Materials International. All Rights Reserved.



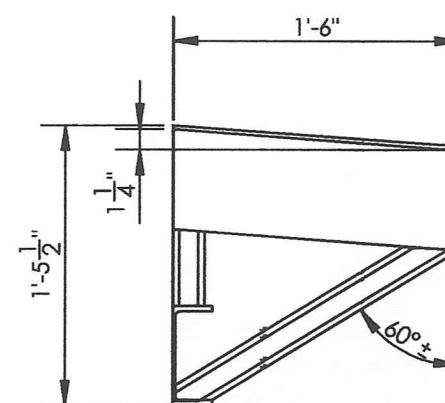
**BULKHEAD ATTACHMENT PLAN VIEW (QTY: 1)**  
SCALE: 1" = 1'-0"



**BULKHEAD ATTACHMENT ISOMETRIC VIEW (QTY: 1)**  
SCALE: 1" = 1'-0"  
1/4" TOP PLATE NOT SHOWN FOR CLARITY



**BULKHEAD ATTACHMENT ELEVATION VIEW (QTY: 1)**  
SCALE: 1" = 1'-0"



**BULKHEAD ATTACHMENT SIDE ELEVATION VIEW (QTY: 1)**  
SCALE: 1" = 1'-0"

**NOTE:**  
- FIXTURE COMES WITH NO MOUNTING HOLES OR MOUNTING HARDWARE.  
- INSTALLER TO DRILL & MOUNT BULKHEAD ATTACHMENT IN FIELD.

*[Signature]*

Pedro P. Giral, P.E.  
License No. 16946  
State of Florida  
12260 SW 94th. Street  
Miami, FL 33186

Authorized By:

THE INFORMATION CONTAINED IN THIS DRAWING IS THE SOLE PROPERTY OF GATOR DOCK & MARINE, LLC. ANY REPRODUCTION IN PART OR AS A WHOLE WITHOUT THE WRITTEN PERMISSION OF GATOR DOCK & MARINE, LLC IS PROHIBITED.

**RECORD OF REVISIONS**

No.	DATE	DESCRIPTION:
0	1/16/13	FOR APPROVAL
1	1/30/13	35' FINGER TO 40', RAMP
2	2/19/13	DESIGN UPDATE

PROJECT NAME:  
**ALUMINUM FLOATING DOCK SYSTEM**

CUSTOMER NAME:  
**EBSARY FOUNDATION CO.**

CUSTOMER ADDRESS:  
 2154 NW NORTH RIVER DR.  
 MIAMI, FL 33125

PROJECT LOCATION:  
 1801 IN. ROOSEVELT BLVD.  
 KEY WEST, FL 33040

CMI ORDER NO.:  
 128878

CUSTOMER IPO NO.:  
 TARPON PIER-BASE

NAME	DATE
DPH	1/16/13
JP	1/16/13

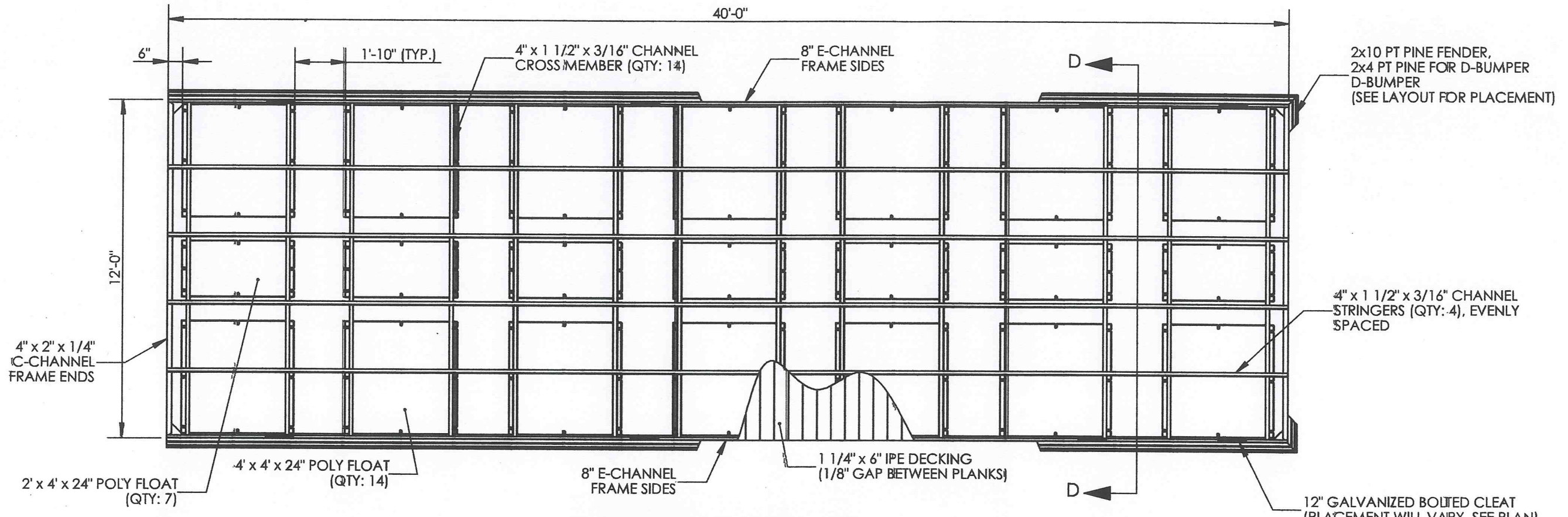
DRAWN BY: DPH 1/16/13

CHECKED BY: JP 1/16/13

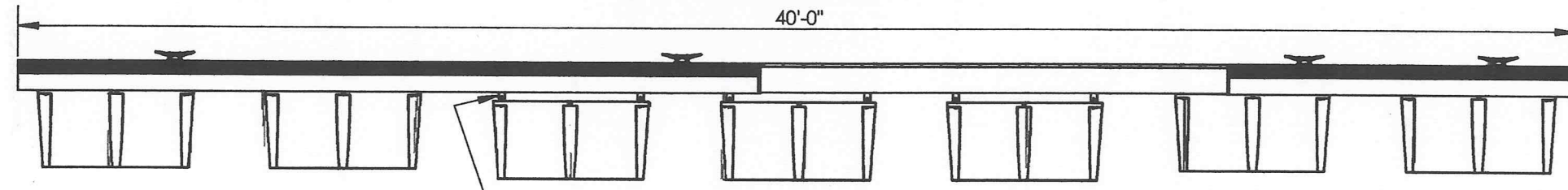
DRAWING NO.:  
**G-4**  
 12' x 40' FLOATING DOCK A DETAILS

\*Physical properties are defined by ASTM testing standards. The Aluminum Association Design Manual, The Naval Facilities Design Manual DM 7.2, and The US Army Corps of Engineers General Design Guide: PVC Sheet Pile and/or standard engineering practice. The values shown are nominal and may vary. The information found in this document is believed to be true and accurate. No warranties of any kind are made as to the suitability of any CMI product for particular applications or the results obtained therefrom. Crane Materials International is a Crane Building Products company. ShoreGuard®. The Shore Guard Seawall System™. C-Loch®. TimberGuard®, GeoGuard®, Dura Dock®, Shore-AIR®, GatorColes®, GatorDock Elite™, ArmorWare™, ArmorRod™, Box Frame™, UltraComposite™, The Steel Alternative™, Elite Warp™, Elite Foam™, Elite Foam Frame™, HeliFrame™, XCR™, XCR Technology™, XCR Viny™, GatorBridge™, GatorAluminum™, Gator Sheet Piling™, GatorDock™, Hiram Lock™, Textured Slide™, Crane Materials International™ logo, CMI Sheet Piling Solutions™, Aqua Terra System™, Endurance™, Endurance CS™, PoleStar™, EdgeStar™, GridStar™, 21 Poly™, PoleClaw™, SheetScope™, SheetScope Retaining Wall Systems™, Sheet Panel™ and CMI Waterfront Solutions™ are trademarks, service marks or trade names of Crane Materials International. ©CRANE MATERIALS INTERNATIONAL products are covered by one or more of the following U.S. Patents and International Patents: 4,676,921; 4,693,589; 5,292,208; 5,145,287; 5,000,883; 6,030,155; 6,023,664; D420,154; 6,575,447; 5,292,807; 7,054,664; 7,025,539; 7,293,462; 5,303,503; 5,863,472; 6,231,271; 1,245,061 CA; 7,914,237 and other patents pending. ©2005-2012 Crane Materials International. All Rights Reserved.

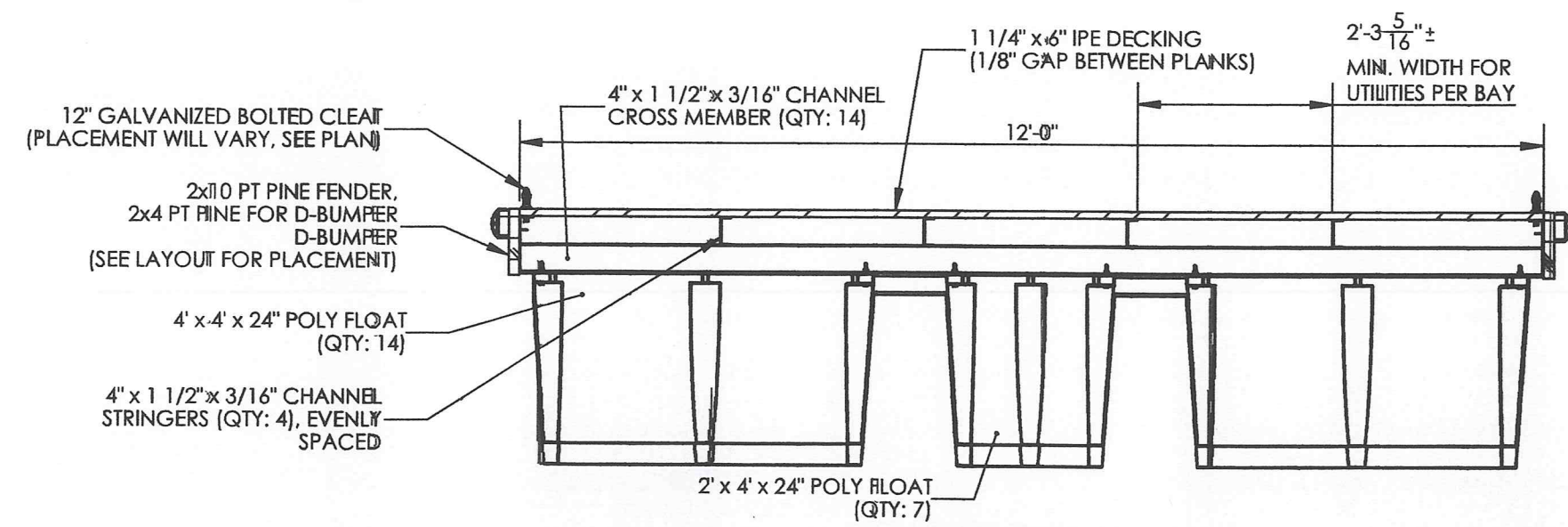
*2/20/13*  
 Pedro P. Giralt, P.E.  
 License No. 16946  
 State of Florida  
 12260 SW 94th. Street  
 Miami, FL 33186  
 Authorized By:



**12' x 40' DOCK A PLAN VIEW (QTY: 1)**  
 SCALE: 1/4" = 1'-0"



**12' x 40' DOCK A ELEVATION VIEW (QTY: 1)**  
 SCALE: 1/4" = 1'-0"



**SECTION D-D**  
 SCALE: 1/2" = 1'-0"

THE INFORMATION CONTAINED IN THIS DRAWING IS THE SOLE PROPERTY OF GATOR DOCK & MARINE, LLC. ANY REPRODUCTION IN PART OR AS A WHOLE WITHOUT THE WRITTEN PERMISSION OF GATOR DOCK & MARINE, LLC IS PROHIBITED.

**RECORD OF REVISIONS**

No.	DATE	DESCRIPTION:
0	1/16/13	FOR APPROVAL
1	1/30/13	35' FINGER TO 40', RAMP
2	2/19/13	DESIGN UPDATE

PROJECT NAME:

**ALUMINUM FLOATING DOCK SYSTEM**

CUSTOMER NAME:

**EBSARY FOUNDATION CO.**

CUSTOMER ADDRESS:

2154 NW NORTH RIVER DR.  
MIAMI, FL 33125

PROJECT LOCATION:

1801 IN. ROOSEVELT BLVD.  
KEY WEST, FL 33040

CMI ORDER NO.:

128878

CUSTOMER IPO NO.:

**TARPON PIER-BASE**

	NAME	DATE
DRAWN BY:	DPH	1/16/13
CHECKED BY:	JP	1/16/13

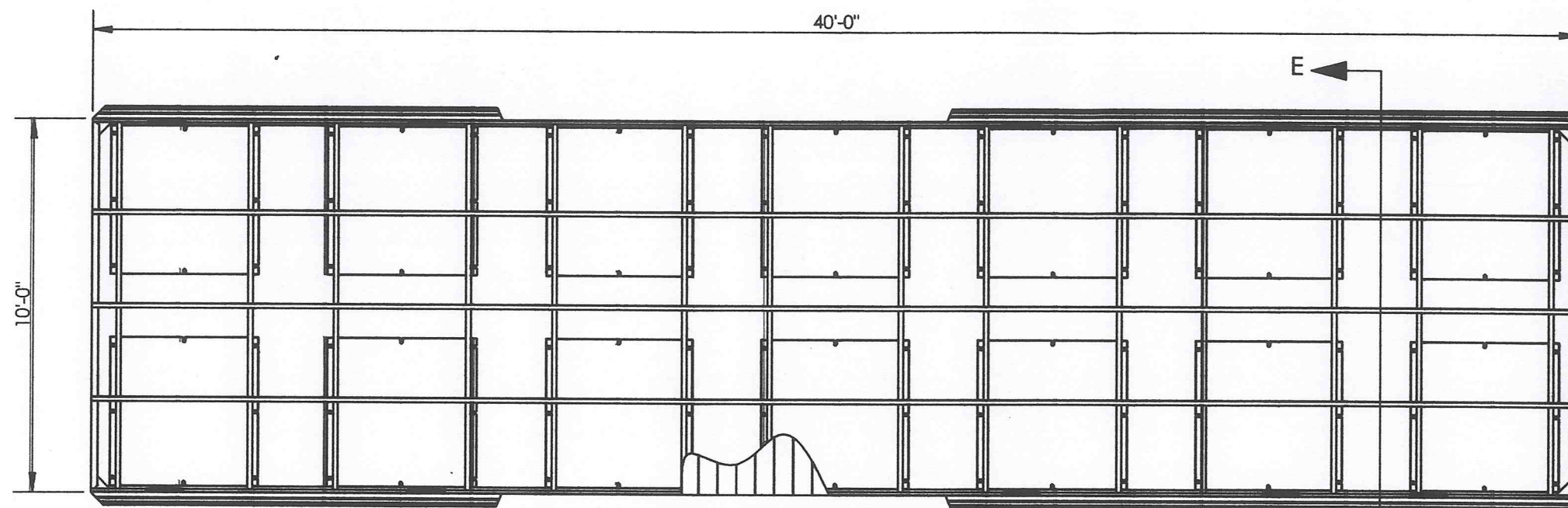
DRAWING NO.: **G-5**

**10' x 40' FLOATING DOCKS B-I DETAILS, 10' x 39' FOATING DOCK J DETAILS**

Physical properties are defined by ASTM testing standards. The Aluminum Association Design Manual, and/or standard engineering practice. The values shown are nominal and may vary. The information found in this document is believed to be true and accurate. No warranties of any kind are made as to the suitability of any CMI product for particular applications or the results obtained there from. ShoreGuard, C-Loc, TimberGuard, GeoGuard, Dura Dock, Shore-Aid, and Gator Gates are registered trademarks of Crane Materials International. ArmorWare, Ultra Composite, GatorDocks, and CMI Waterfront Solutions are trademarks of Crane Materials International. United States and International Patent numbers 5,714,287; 5,881,508; 6,000,883; 6,033,155; 6,053,666; 6,420,154; 4,674,921; 4,690,588; 5,292,208; 6,575,667; 7,059,807; 7,056,066; 7,025,539; 1,245,061; Other patents pending. © 2008 Crane Materials International. All Rights Reserved.

*2/20/13*  
Pedro P. Giralt, P.E.  
License No. 16946  
State of Florida  
12260 SW 94th. Street  
Miami, FL 33186

Authorized By:



**10' x 40' DOCK B-I PLAN VIEW (QTY: 8)**

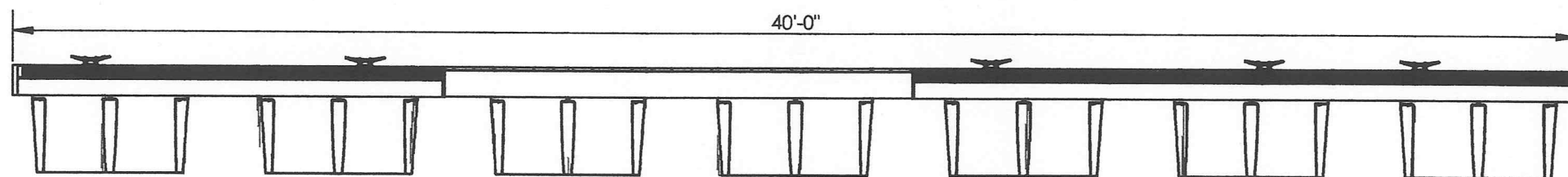
SCALE: 1/4" = 1'-0"

SIMILAR CONSTRUCTION TO DOCK A  
CLEAT & FENDER PLACEMENT WILL VARY, SEE PLAN

**10' x 39' DOCK J PLAN VIEW (QTY: 1)**

SCALE: 1/4" = 1'-0"

SIMILAR CONSTRUCTION TO DOCK B-I  
CLEAT & FENDER PLACEMENT WILL VARY, SEE PLAN



**10' x 40' DOCK B-I ELEVATION VIEW (QTY: 8)**

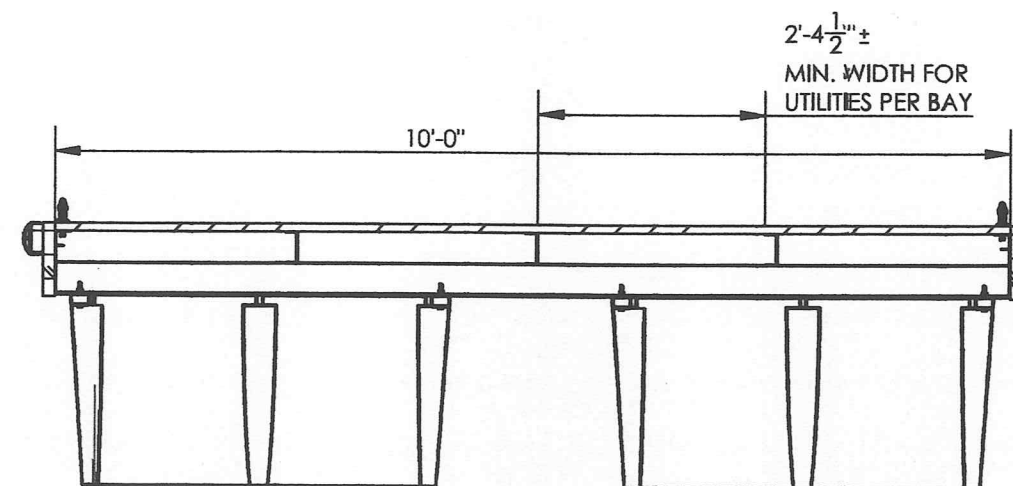
SCALE: 1/4" = 1'-0"

SIMILAR CONSTRUCTION TO DOCK A  
CLEAT & FENDER PLACEMENT WILL VARY, SEE PLAN

**10' x 39' DOCK J ELEVATION VIEW (QTY: 1)**

SCALE: 1/4" = 1'-0"

SIMILAR CONSTRUCTION TO DOCK B-I  
CLEAT & FENDER PLACEMENT WILL VARY, SEE PLAN



**SECTION E-E**  
SCALE: 1/2" = 1'-0"

THE INFORMATION CONTAINED IN THIS DRAWING IS THE SOLE PROPERTY OF GATOR DOCK & MARINE, LLC. ANY REPRODUCTION IN PART OR AS A WHOLE WITHOUT THE WRITTEN PERMISSION OF GATOR DOCK & MARINE, LLC IS PROHIBITED.

**RECORD OF REVISIONS**

No.	DATE	DESCRIPTION:
0	1/16/13	FOR APPROVAL
1	1/30/13	35' FINGER TO 40', RAMP
2	2/19/13	DESIGN UPDATE

PROJECT NAME:  
**ALUMINUM FLOATING DOCK SYSTEM**

CUSTOMER NAME:  
**EBSARY FOUNDATION CO.**

CUSTOMER ADDRESS:  
2154 NW NORTH RIVER DR.  
MIAMI, FL 33125

PROJECT LOCATION:  
1801 IN. ROOSEVELT BLVD.  
KEY WEST, FL 33040

CMI ORDER NO.:  
128878

CUSTOMER IPO NO.:  
TARPON PIER-BASE

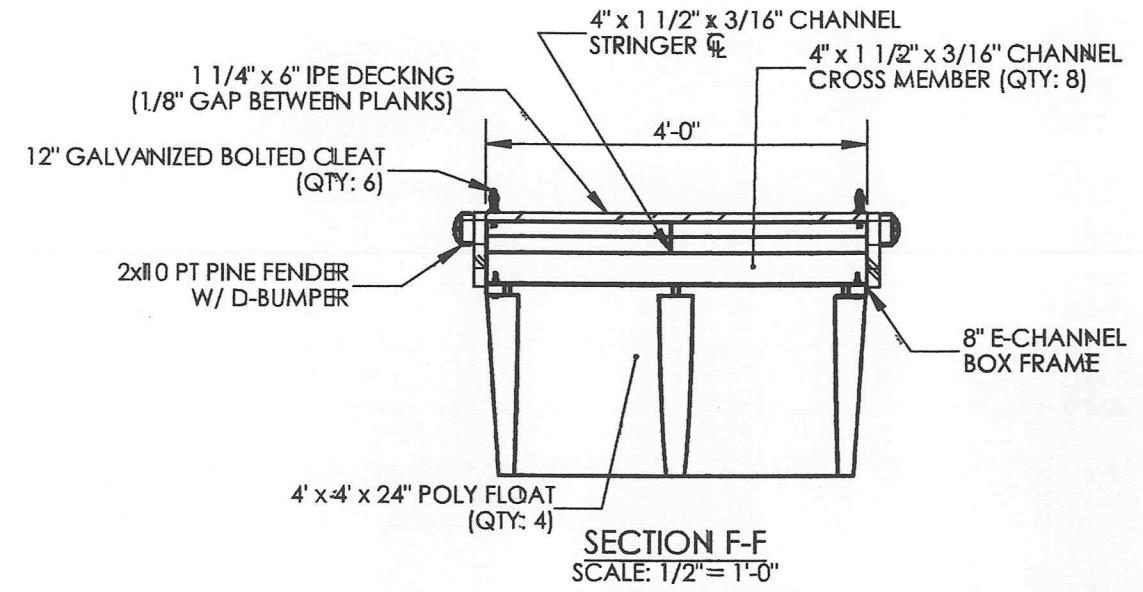
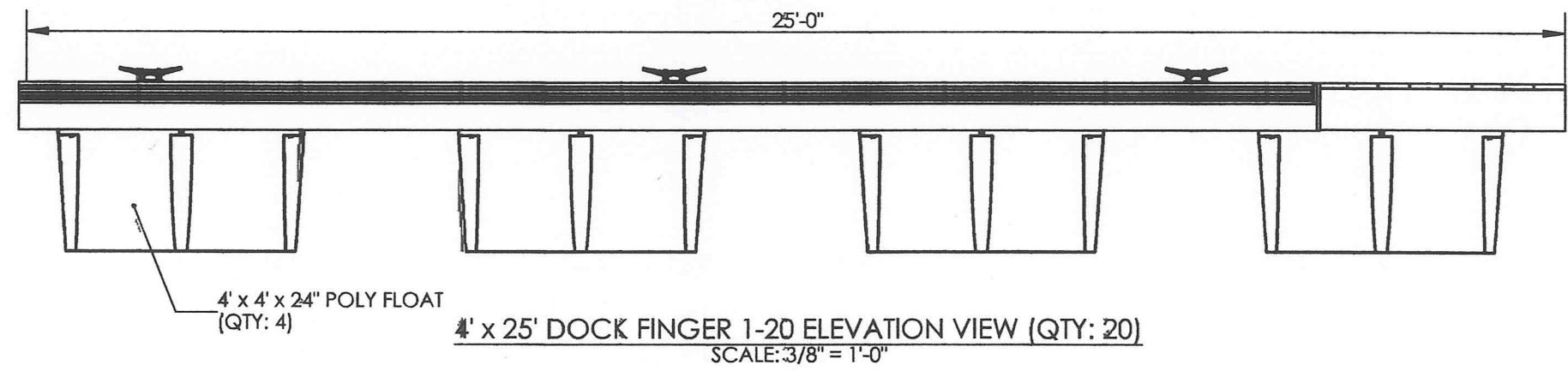
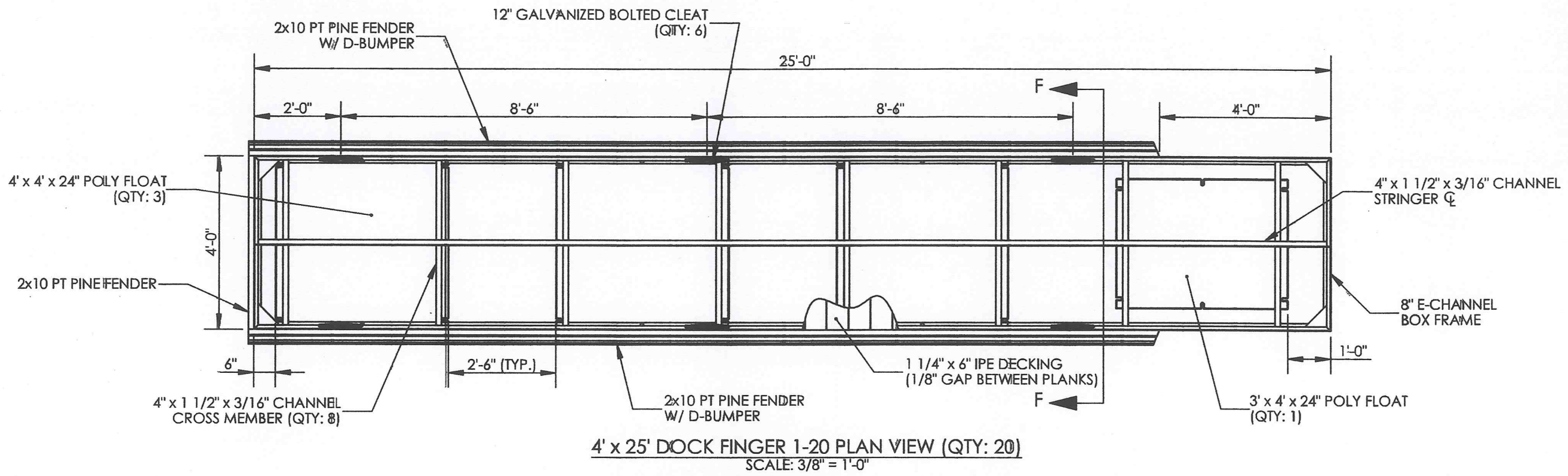
	NAME	DATE
DRAWN BY:	DPH	1/16/13
CHECKED BY:	JP	1/16/13

DRAWING NO.:  
**G-6**  
4' x 25' DOCK FINGERS 1-20 DETAILS

Physical properties are defined by ASTM testing standards. The Aluminum Association Design Manual, and/or standard engineering practice. The values shown are nominal and may vary. The information found in this document is believed to be true and accurate. No warranties of any kind are made as to the suitability of any CMI product for particular applications or the results obtained therefrom. ShoreGuard, C-Loc, TimberGuard, GeoGuard, Dura Dock, Shore-Air, and Gator Gates are registered trademarks of Crane Materials International. ArmorWare, Ultra Composite, GatorDocks, and CMI Waterfront Solutions are trademarks of Crane Materials International. United States and International Patent numbers 5,745,287; 5,981,508; 6,000,883; 6,033,155; 6,053,666; 6,420,154; 4,674,921; 4,690,588; 5,292,208; 6,575,667; 7,059,807; 7,056,066; 7,025,539; 1,245,061; Other patents pending. © 2008 Crane Materials International. All Rights Reserved.

*2/24/13*  
Pedro P. Giralt, P.E.  
License No. 16946  
State of Florida  
12260 SW 94th. Street  
Miami, FL 33186

Authorized By:



THE INFORMATION CONTAINED IN THIS DRAWING IS THE SOLE PROPERTY OF GATOR DOCK & MARINE, LLC. ANY REPRODUCTION IN PART OR AS A WHOLE WITHOUT THE WRITTEN PERMISSION OF GATOR DOCK & MARINE, LLC IS PROHIBITED.

**RECORD OF REVISIONS**

No.	DATE	DESCRIPTION:
0	1/16/13	FOR APPROVAL
1	1/30/13	35' FINGER TO 40', RAMP
2	2/19/13	DESIGN UPDATE

PROJECT NAME:  
**ALUMINUM FLOATING DOCK SYSTEM**

CUSTOMER NAME:  
**EBSARY FOUNDATION CO.**

CUSTOMER ADDRESS:  
2154 NW NORTH RIVER DR.  
MIAMI, FL 33125

PROJECT LOCATION:  
1801 IN. ROOSEVELT BLVD.  
KEY WEST, FL 33040

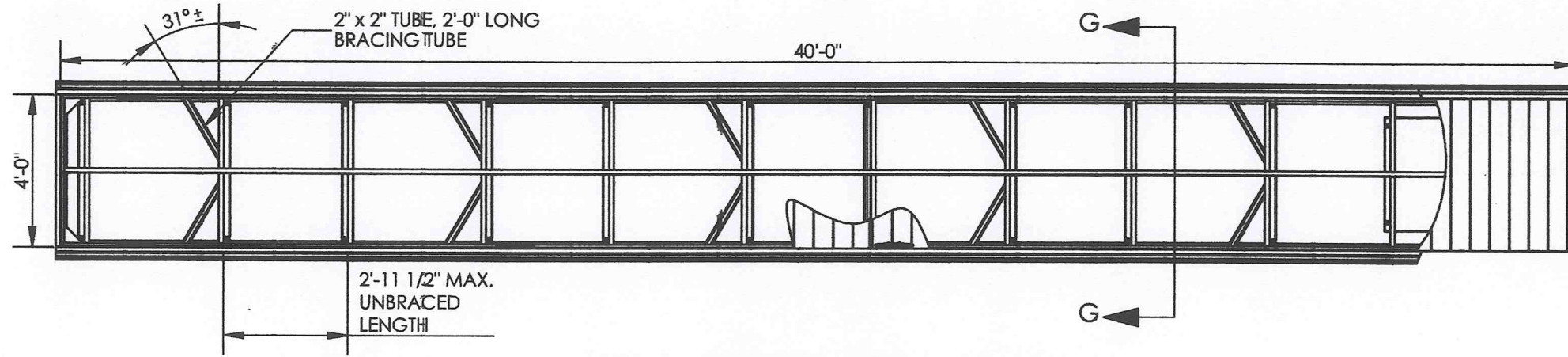
CMI ORDER NO.:  
T28878

CUSTOMER IPO NO.:  
TARPON PIER-BASE

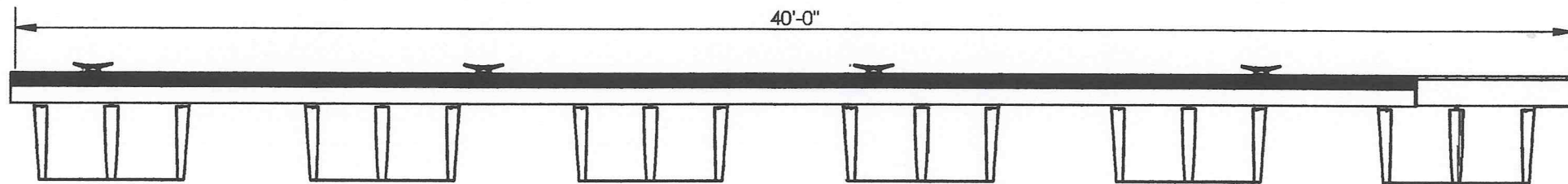
	NAME	DATE
DRAWN BY:	DPH	1/16/13
CHECKED BY:	JP	1/16/13

DRAWING NO.:  
**G-7**  
4' x 40' DOCK FINGERS  
21-22 DETAILS

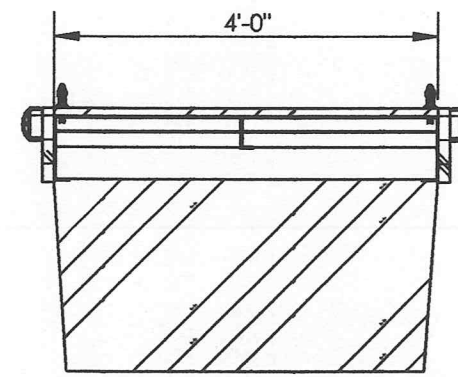
Physical properties are defined by ASTM testing standards, The Aluminum Association Design Manual, and/or standard engineering practice. The values shown are nominal and may vary. The information found in this document is believed to be true and accurate. No warranties of any kind are made as to the suitability of any CMI product for particular applications or the results obtained therefrom. ShoreGuard, C-Loc, TimberGuard, GeoGuard, Dura Dock, Shore-All, and Gator Gates are registered trademarks of Crane Materials International. ArmorWare, Ultra Composite, GatorDocks, and CMI Waterfront Solutions are trademarks of Crane Materials International. United States and International Patent numbers 5,714,287; 5,881,508; 6,000,883; 6,033,155; 6,053,666; 6,420,154; 4,674,921; 4,690,588; 5,292,208; 6,575,667; 7,059,807; 7,056,066; 7,025,539; 1,245,061; Other patents pending. © 2008 Crane Materials International. All Rights Reserved.



4' x 40' DOCK FINGER 21-22 PLAN VIEW (QTY: 2)  
SCALE: 1/4" = 1'-0"  
SIMILAR CONSTRUCTION TO 4'x25' FINGER



4' x 40' DOCK FINGER 21-22 ELEVATION VIEW (QTY: 2)  
SCALE: 1/4" = 1'-0"  
SIMILAR CONSTRUCTION TO 4'x25' FINGER



SECTION G-G  
SCALE: 1/2" = 1'-0"

*Pedro P. Giralt*  
Pedro P. Giralt, P.E.  
License No. 16946  
State of Florida  
12260 SW 94th. Street  
Miami, FL 33186

Authorized By:



THE INFORMATION CONTAINED IN THIS DRAWING IS THE SOLE PROPERTY OF GATOR DOCK & MARINE, LLC. ANY REPRODUCTION IN PART OR AS A WHOLE WITHOUT THE WRITTEN PERMISSION OF GATOR DOCK & MARINE, LLC IS PROHIBITED.

RECORD OF REVISIONS		
No.	DATE	DESCRIPTION:
0	1/16/13	FOR APPROVAL
1	1/30/13	35' FINGER TO 40', RAMP
2	2/19/13	DESIGN UPDATE

PROJECT NAME:  
**ALUMINUM FLOATING DOCK SYSTEM**

CUSTOMER NAME:  
**EBSARY FOUNDATION CO.**

CUSTOMER ADDRESS:  
2154 NW NORTH RIVER DR.  
MIAMI, FL 33125

PROJECT LOCATION:  
1801 IN. ROOSEVELT BLVD.  
KEY WEST, FL 33040

CMI ORDER NO.:  
128878

CUSTOMER IPO NO.:  
TARPON PIER-BASE

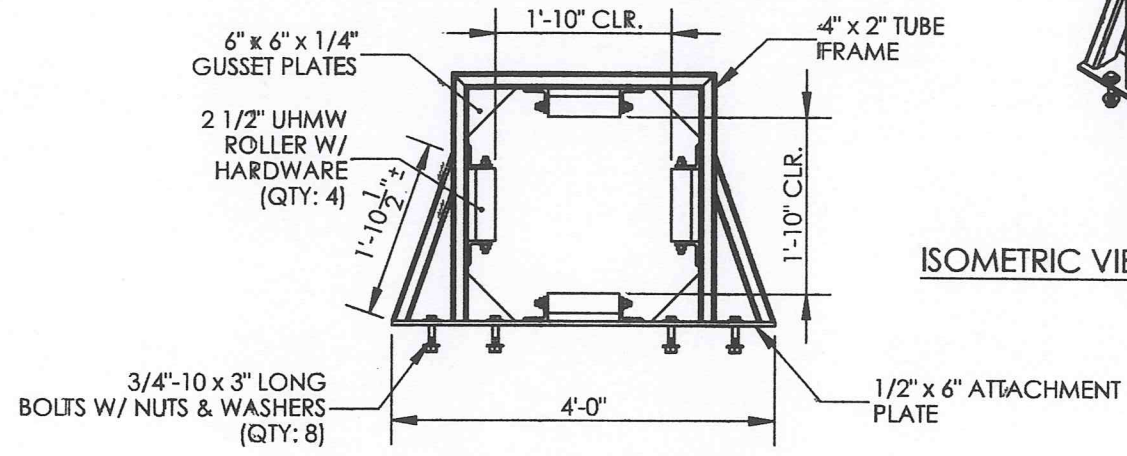
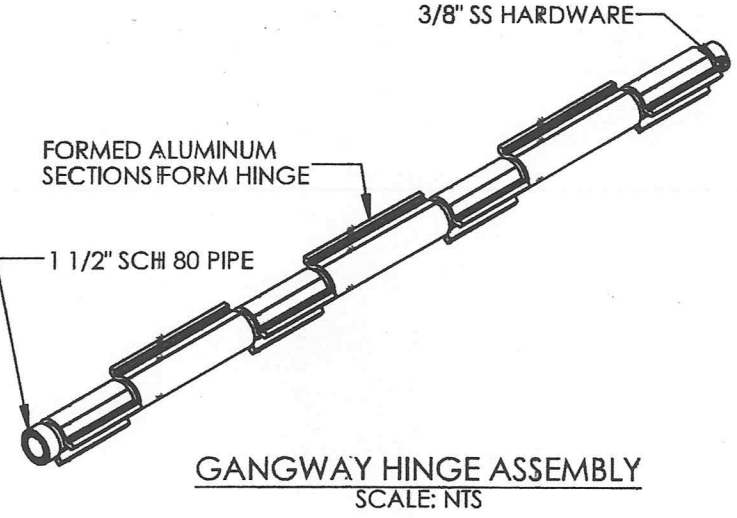
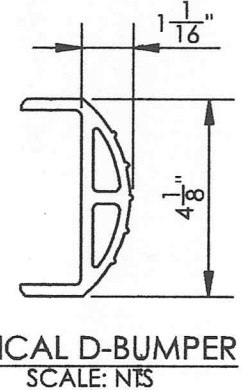
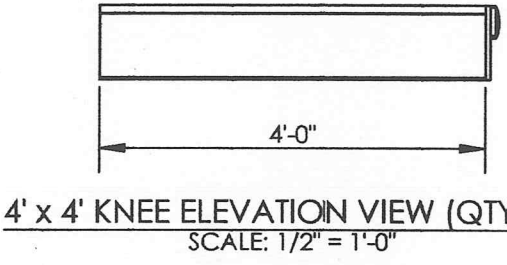
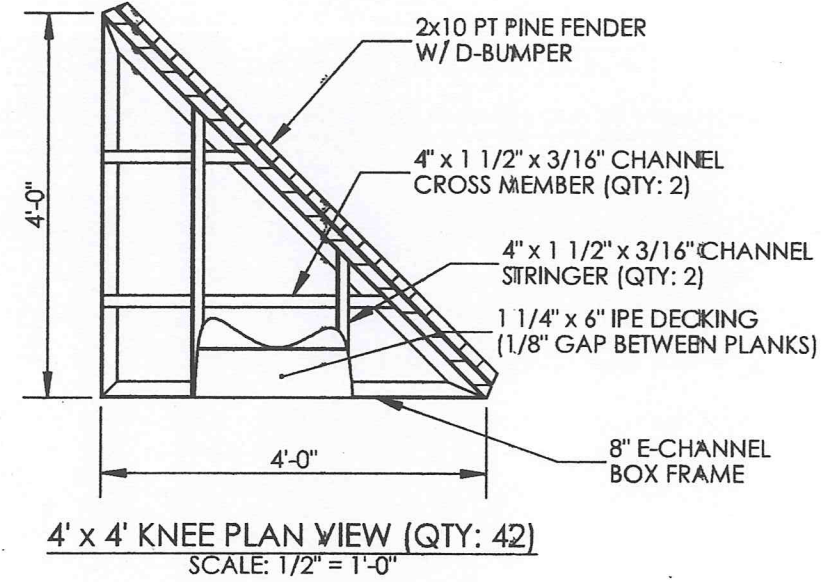
	NAME	DATE
DRAWN BY:	DPH	1/16/13
CHECKED BY:	JP	1/16/13

DRAWING NO.:  
**G-8**  
MISC. DETAILS

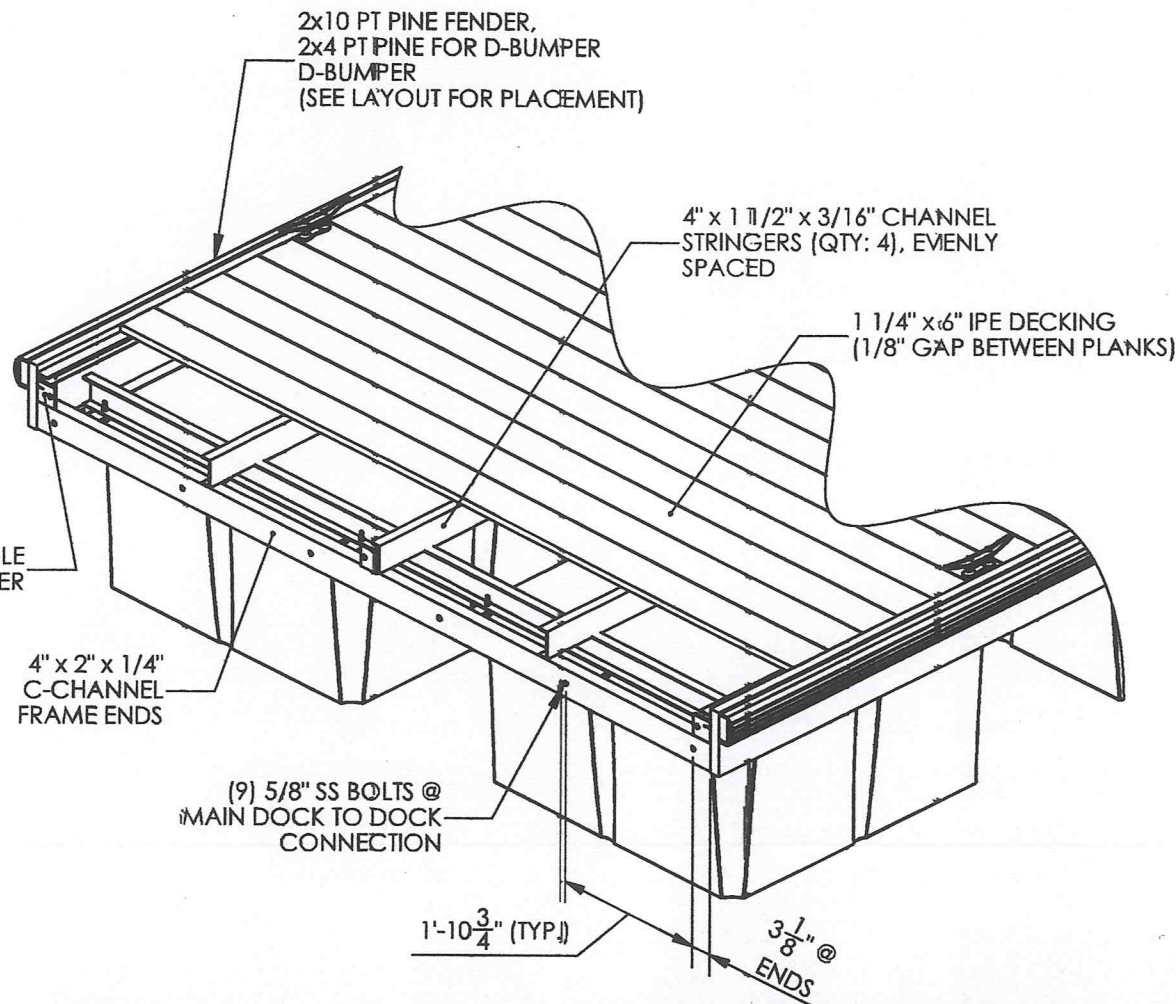
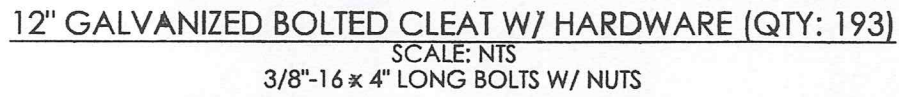
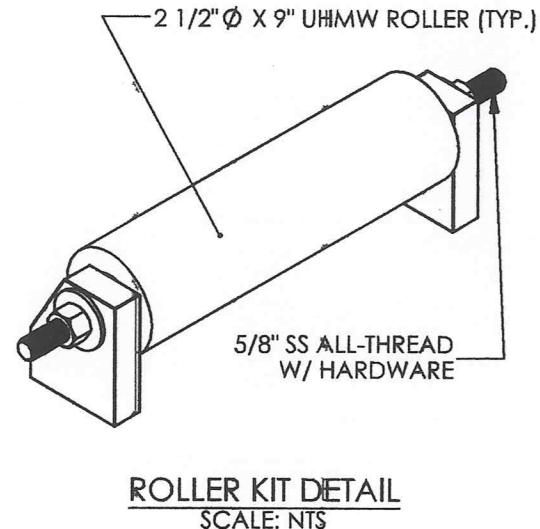
\*Physical properties are defined by ASTM testing standards. The Aluminum Association Design Manual, The Naval Facilities Design Manual, CMI 7.2, and The US Army Corps of Engineers General Design Guide: PVC Sheet Pile and/or standard engineering practice. The values shown are nominal and may vary. The information found in this document is believed to be true and accurate. No warranties of any kind are made as to the suitability of any CMI product for particular applications or the results obtained therefrom. Crane Materials International is a Crane Building Products company. ShoreGuard®, the ShoreGuard Seawall System®, C-Loch®, EmbroQuard®, GateGuard®, Dura Dock®, Shore-Wrap®, GatorGate®, GatorDock Elite™, ArmorWare™, ArmorDock™, Box Pull™, UltraComposites™, The Steel Alternative™, Elite Work™, Elite Panel™, Elite Fascia Panel™, RollPanel™, XCR™, XCR Technology™, XCR Vary™, GatorRidge™, GatorAluminum™, Gator Sheet Piling™, GatorDock™, I-Beam Lock™, Textured Stone™, Crane Materials International™ logo, CMI Sheet Piling Solutions™, Aqua Terra System™, Endurance™, Endurance CMI™, Piers™, Epiroc™, Ledo™, ZI Poly™, PileCrew™, SheetScope™, SheetScope Retaining Wall Systems™, Sheet Panel™ and CMI Waterfront Solutions™ are trademarks, service marks or trade names of Crane Materials International. CRANE MATERIALS INTERNATIONAL products are covered by one or more of the following U.S. Patents and International Patents: 4,676,921; 4,692,288; 5,292,208; 5,145,987; 6,000,883; 6,033,155; 6,053,666; D400,154; 6,575,667; 7,009,807; 7,056,666; 7,056,539; 7,292,492; 5,333,505; 5,333,675; 6,331,271; 1,245,061CA; 7,914,237 and other patents pending. ©2005-2012 Crane Materials International. All Rights Reserved.

*2/20/13*  
Pedro P. Giralt, P.E.  
License No. 16946  
State of Florida  
12260 SW 94th. Street  
Miami, FL 33186

Authorized By:



ISOMETRIC VIEW OF EXTERNAL PILE GUIDE  
SCALE: 1/2" = 1'-0"



DOCK TO DOCK CONNECTION DETAIL  
SCALE: NTS  
CONNECTIONS TO BE PLACED @ APPROX 2' ON CENTER