

SEAL

NOT FOR CONSTRUCTION

THESE DRAWINGS
MAY NOT BE
REPRODUCED
WITHOUT WRITTEN
AUTHORIZATION BY
WILLIAM P. HORN

DATE

07-10-2022 DRC SUBMISSION
10-04-2022 PLANNING SUBMISSION
10-14-2022 HARC SUBMISSION

REVISIONS

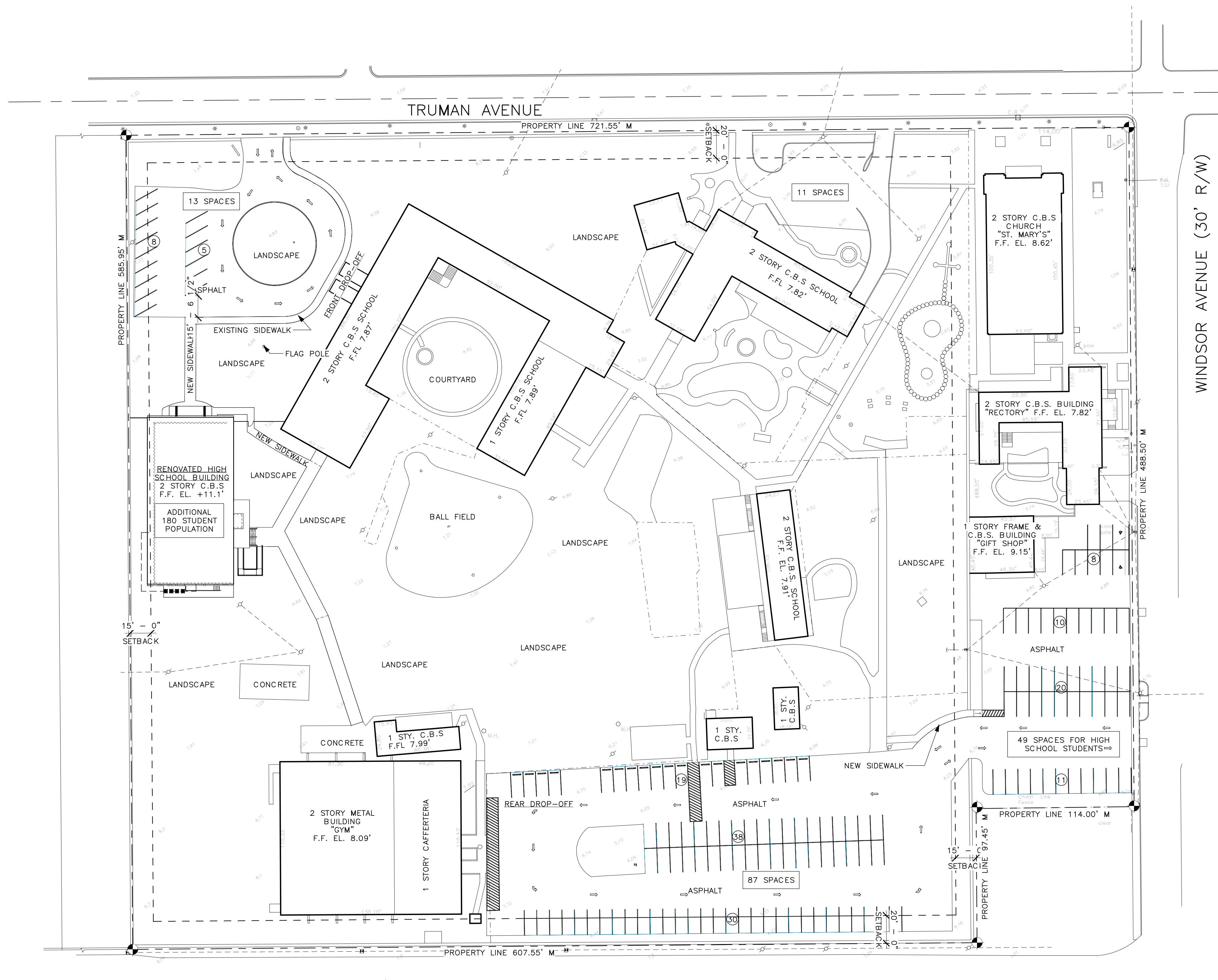
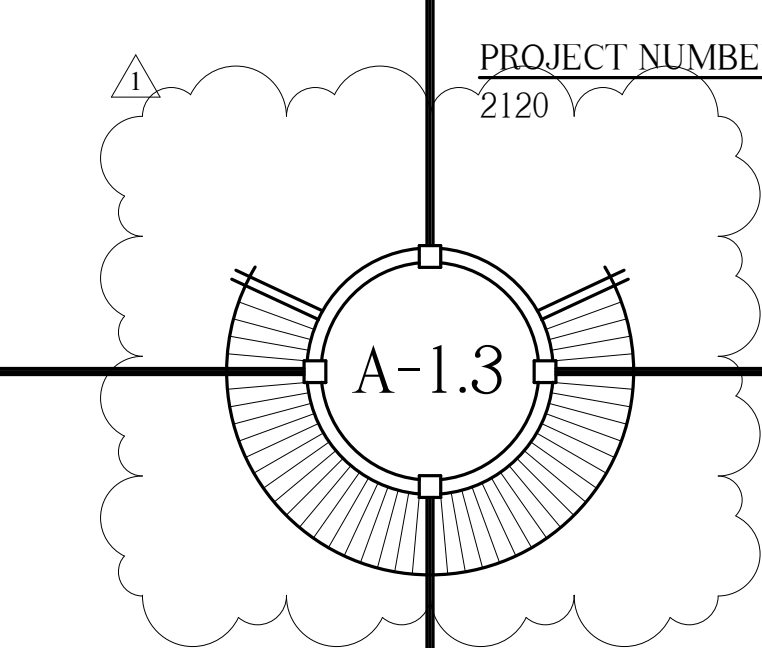
△ 10-24-2022 Revision 1

DRAWN BY

JFS

PROJECT NUMBER

2120



PARKING PLAN AND REGULATIONS

-START TIMES-

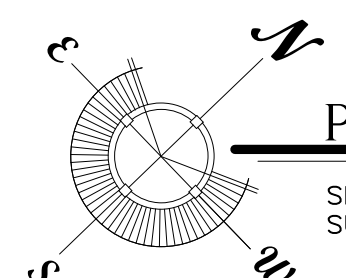
- STAGGERED START TIMES
- 1. HIGH SCHOOL START TIME 7:30AM
- 2. PRESCHOOL TO 8TH GRADE 8:00 AM
- STAGGERED DISMISSAL TIMES
- 1. HIGH SCHOOL DISMISSAL 2:20PM
- 2. PRESCHOOL TO 8TH GRADE 2:50PM

-FRONT DROP OFF-

- FRONT ARRIVAL
- 1. NO PARKING
- 2. TRAFFIC CONTINUOUS MOTION
- 3. KINDERGARTEN THROUGH 5TH GRADE = 219 STUDENTS
- FRONT DISMISSAL
- 1. NO PARKING -STUDENTS ARE BROUGHT TO CAR BY STAFF
- 2. TRAFFIC IS CONTINUOUS MOTION
- 3. 3RD GRADE THROUGH 9TH GRADE =181 STUDENTS

-REAR DROP OFF-

- REAR ARRIVAL
- 1. DROP OFF FOR PRE-SCHOOL PARENTS PARK
- 2. DROP OFF FOR PRE-KINDERGARTEN PARENTS WILL PARK
- 3. DROP OFF FOR 6TH GRADE THROUGH 9TH GRADE NO PARKING
- 4. TOTAL STUDENT DROP OFF IS 174 STUDENTS
- REAR DISMISSAL
- 1. NO PARKING -STUDENTS ARE BROUGHT TO CAR BY STAFF
- 2. TRAFFIC IS CONTINUOUS
- 3. PRE-SCHOOL, PRE-KINDERGARTEN, AND KINDERGARTEN THROUGH 2ND GRADE =212 STUDENTS



PARKING AND CIRCULATION PLAN

SITE PLAN BASED ON INFORMATION OBTAINED FROM SURVEY PREPARED BY ISLAND SURVEY DATED 06/07/2001

SCALE: 1" = 40'-0"

THE BASILICA SCHOOL OF SAINT MARY STAR OF THE SEA

700 TRUMAN AVE.
KEY WEST, FLORIDA 33040