



REQUEST FOR QUOTE
Key West Historic Seaport
 201 William Street
 Key West, FL 33040

November 19, 2014

Key West Historic Seaport is requesting quotes for providing all materials and labor necessary to produce, deliver and unload four (4) exterior single arm LED light fixtures and poles per the attached cut sheets.

<u>ITEM</u>	<u>Units</u>	<u>Unit Price</u>	<u>TOTAL</u>
Architectural Area Lighting Single Arm Fixture Assembly UCM-LUM-BL-STR-STS-FTG-RCK- T3-60LED-BW-SLA17-PCA-C11A-1216 (Powder Coat Finish – Black) (5 year warranty, not limited to corrosive environments)	4 ea	\$ <u>3,070.⁰⁰</u>	\$ <u>12,280.⁰⁰</u>
Whatley, Inc. Composite Pole Assembly XR45-D21M-13-AB-BLK-40-60-RC WDN (10 year warranty)	4 ea	\$ <u>1,886.²⁵</u>	\$ <u>7,545.⁰⁰</u>
Delivery and Unloading	1 ls		\$ <u>Ø</u>
<u>TOTAL QUOTE AMOUNT</u>			\$ <u>19,825.⁰⁰</u>

Total in Words: Nineteen thousand eight hundred twenty five dollars

Fixtures to be delivered to and unloaded at the Ferry Terminal, 100 Grinnell Street, Key West, Florida.
 Delivery to be coordinated with Key West Historic Seaport Maintenance Department.

Please fax or email quotes to Karen Olson by Wednesday, December 3, 2014, 4:00 P.M. at 305-293-6438 or kolson@cityofkeywest-fl.gov.

Each Vendor must inform him/herself of the conditions relating to the execution of the work, and it is required that he/she will inspect the delivery site(s) and make himself/herself thoroughly familiar with the Request for Quote. Failure to do so will not relieve the successful Vender of his/her obligation to enter into a Contract and provide, deliver and unload the product in strict

accordance with the Request for Quote. It shall be the Vendor's obligation to verify for his/herself and to his/herself's complete satisfaction all information concerning site or worksite conditions.

Selected Vendor may be required to complete and submit a City of Key West Vendor Setup Form.

For questions, please contact Karen Olson, Deputy Port and Marine Services Director at 305-809-3803 or kolson@cityofkeywest-fl.gov.

BIDDER'S INFORMATION

Company Name: REXEL, INC.

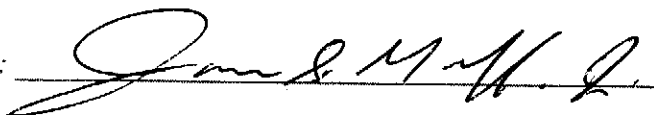
Address: 504 ANGELA STREET
KEY WEST, FL 33040

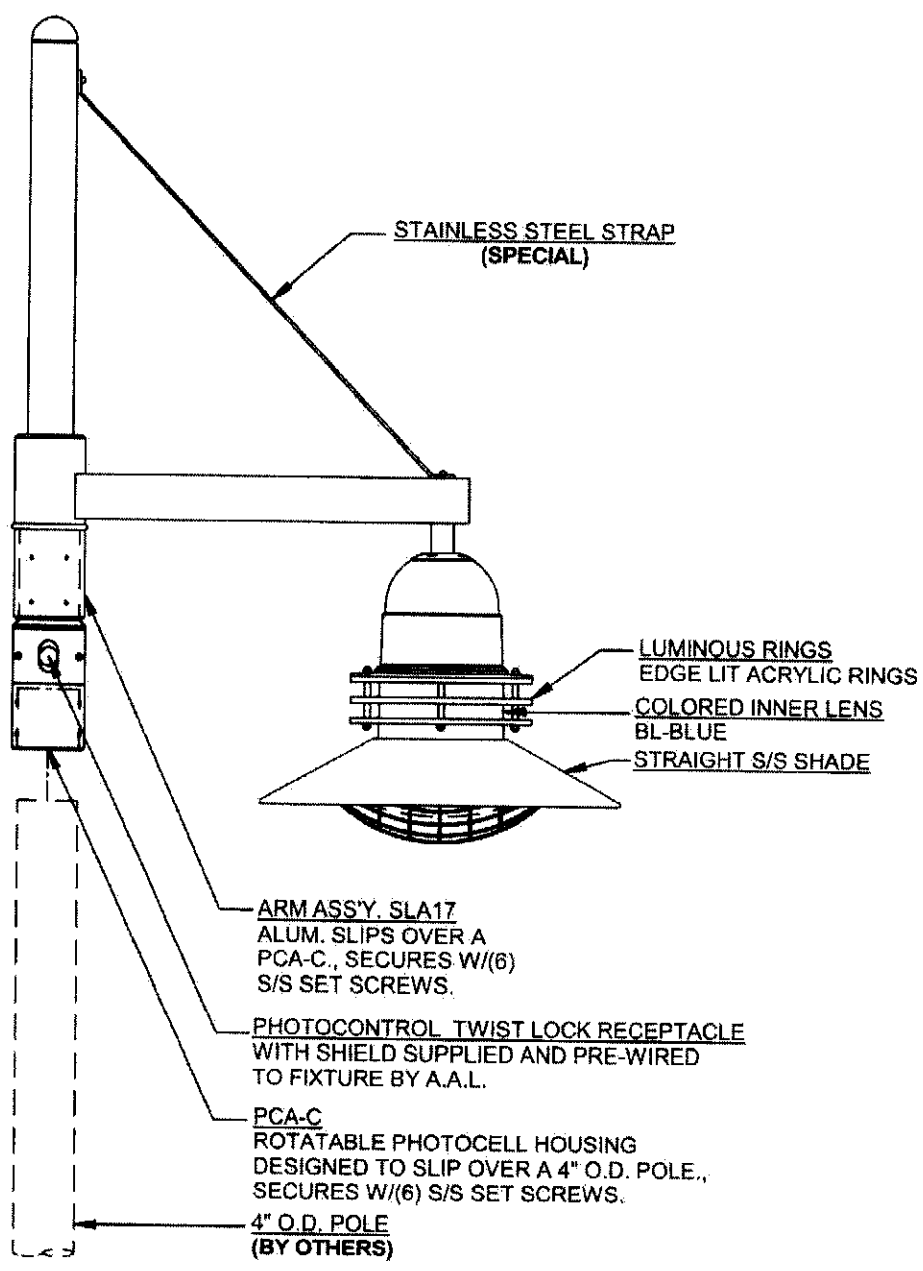
Contact Name: JIM GROFF

Email: JAMES.GROFF@REXELUSA.COM

Telephone: 305-296-6581

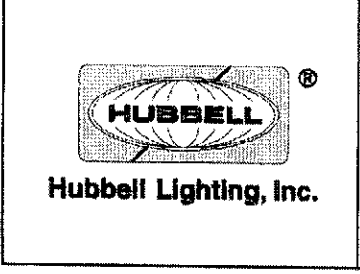
Fax: 305-296-0277

Signature:  Date: 12-1-14



TYPE
CATALOG NUMBER UCM-LUM-BL-STR-ST FTG-RCK- T3-60LED-BW SLA17-PCA-C 11A-1216
FINISH: POLYESTER POWDER COAT. AAL COLOR: BLK TO MATCH:
PROVIDE A SAMPLE COLOR CHIP
LAMPING LAMP TYPE LED
SOCKET LED
WATTAGE 70
VOLTAGE 120 - 277
ALL BALLASTS ARE HPF CONSTANT WATTAGE, -30 DEGREE STARTING. ALL SOCKETS ARE PORCELAIN, PULSE RATED 4KVA
ANCHOR BOLTS QTY
SIZE
BOLT CIRCLE
PROJECTION
FS1/FS2 OPTIONS: FUSE HOLDERS ONLY. FUSES BY OTHERS.
LEVELING NUTS AND WASHERS MUST BE INSTALLED UNDER ALL BASES
ONE APPROVED DRAWING MUST BE RETURNED TO A.A.L. BEFORE THIS PRODUCT CAN BE FABRICATED
WARNING: THIS FIXTURE MUST BE GROUNDED IN ACCORDANCE WITH LOCAL CODES OR THE NATIONAL ELECTRICAL CODE. FAILURE TO DO SOMAY RESULT IN SERIOUS PERSONAL INJURY.

SOLD TO: _____ PO# _____ JOB NAME: **KEYWEST BIGHT PROJECT**



architectural arealighting

16555 East Gale Avenue
City of Industry, CA 91745
(626)968-5666

Architectural Area Lighting
Reserves The Right To Change
Manufacturing Processes Without
Notice.

11A-1216	
DATE 3/28/2011	DRWN Antonio
DATE	APPRVD
DATE	REV.

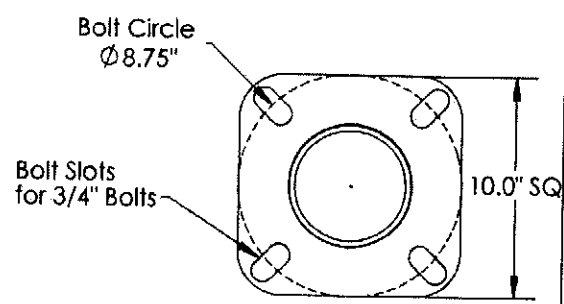
AGENCY: Power & Lighting
 PROJECT: Key West
 QUOTE#:

POLE
 Model: XR45
 Top Dia: Ø4.5"
 Height: 13 ft
 Taper: .2"/ft
 Construction: Core Pole: 65% Fiberglass 35% Resin
 Top Dia-3.7" Taper-.2"/ft
 Ultimate Groundline Moment-
 9100 ft-lbs
 Outer Shell: Elastomeric Urethane
 Tenon: 4" OD 6" Exposed 6061-T6 Alum
 Anchor Base: Plate 1/2" Hot Rolled Steel 10"x10"
 Slots for 3/4" Anchor Bolts
 Galvanized
 Bolt Circle: 8.75"
 Paint: UV & Cleaning Chemical Resistant
 Color: Black
 Weight: 75 lbs Approx.
 Hand Hole: 2" x 5" @ 14" Above deck
 Max EPA @ 150 mph 4.0

BASE COVER
 Model: D21
 Material: Elastomeric Urethane
 Color: Black
 Height: 47.5"
 Width: 21.5"

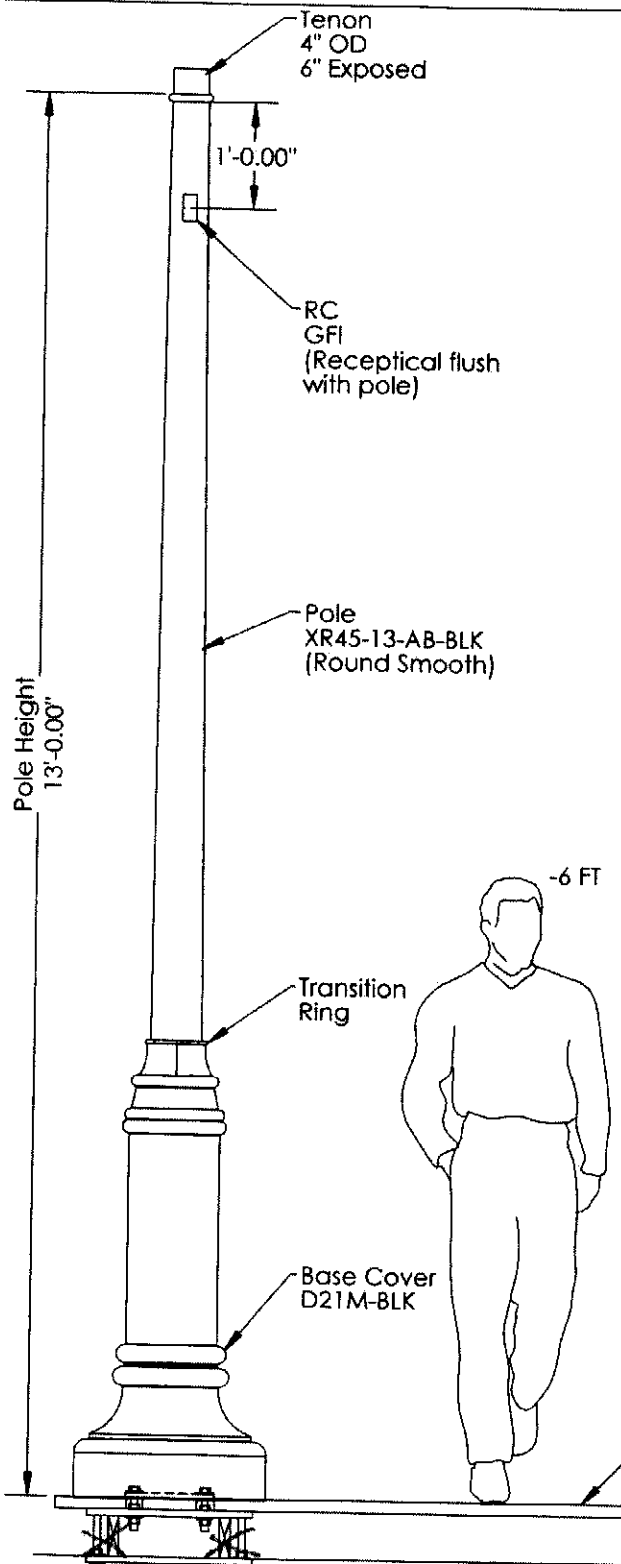
Hand Hole reinforced
 Climbing pole is not recommended.
 Deck and below mountings by others
 3/4" Stainless Steel Anchor bolts by others

Anchor Base Plate



WHATLEY, INC. A Vaimont Company
 3550 Odessa Way, STE A
 Aurora, CO., 80011
 phone: (877) 959-7678
 fax: (303) 286-7272
 web: www.whatley.com

REV	DESCRIPTION	DATE



PART NO. XR45-D21M-13-AB-BLK-40-60-RC WDN DESCRIPTION: Pole Assembly

SCALE: 1:20 SIZE: A REV.

MATERIAL:	DOCUMENTATION	INITIAL	DATE
Noted	DRAWN	JTC	10/31/14
FINISH: Smooth	QUOTE REQUEST		
	TOOLING REQUEST		
	FIRST ARTICLE REQUEST		
	FIRST ARTICLE INSPECTION		
DO NOT SCALE DRAWING	PRODUCTION RELEASE		

UNLESS OTHERWISE NOTED:
 DIMENSIONS ARE IN INCHES
 TOLERANCES:
 DECIMAL .XX ± .03
 DECIMAL .XXX ± .010
 ANGLE ± 1/2

PROPRIETARY AND CONFIDENTIAL
 THE INFORMATION CONTAINED IN THIS DRAWING IS THE SOLE PROPERTY OF WHATLEY, INC. ANY REPRODUCTION IN PART OR AS A WHOLE WITHOUT THE WRITTEN PERMISSION OF WHATLEY, INC. IS PROHIBITED.

City of Key West
Vendor Setup Form (substitutes for W-9)

Fax to 305.809.3857
Please attach copy of
business license

Vendor Name:	REXEL, INC.
Contact Person:	JIM GROFF
Email Address:	JAMES.GROFF@REXELUSA.COM
Phone #:	305-296-6581
Fax #:	305-296-0277
Remit Payment to Address:	P.O. BOX 742384
City:	ATLANTA
State:	GEORGIA
Zip:	30374-2103
Federal Tax ID/SSN #:	75-2304244

Tax Reporting Name of Business Name: REXEL, INC.
Name shown on required federal tax documents (if different than the vendor/payee name)

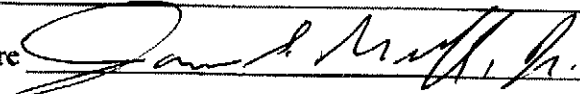
Business Classification:

Please check one:

- Association
- Corporation
- Individual/Sole proprietor
- Partnership
- Private - Circle one: Profit or Non-profit
- Limited Liability - Circle one: Corporation Partnership or Disregarded entity
- Government Agency - Circle one: Federal State Local or Other

Please indicate if any of the following categories apply to your business

Attorney or Legal Firm
Medical Services by Individuals and/or Partnerships
Medical Services by Corporations

Signature  Date 12-1-14

Finance use only: Vendor # assigned _____

One time vendor:	Yes	or	No
Purchase order:	Yes	or	No
1099 required:	Yes	or	No

Comments: _____

CITY OF KEY WEST, FLORIDA

Business Tax Receipt

This Document is a business tax receipt

Holder must meet all City zoning and use provisions.
P.O. Box 1409, Key West, Florida 33040 (305) 809-3955

Business Name REXEL INC CtlNbr:0000369
Location Addr 504 ANGELA ST
Lic NBR/Class 15-00006897 RETAIL/MAILORDER/WHSALE 2,001-5,000 SF
Issue Date: September 26, 2014 Expiration Date: September 30, 2015
License Fee \$267.75
Add. Charges \$0.00
Penalty \$0.00
Total \$267.75
Comments: ELECTRICAL SUPPLIES

User: KETUCHW Type: DL Drawer: 1
Date: 9/26/14 04 Receipt no: 43875
2015 6897
LIC SOUTHERN ELECTRIC SUPPLY CO
1.00 \$267.75
3823480
11634448 \$267.75
Trans date: 9/26/14 time: 16:24:25

This document must be prominently displayed.

SOUTHERN ELECTRIC SUPPLY CO

REXEL INC
SOUTHERN ELECTRIC SUPPLY CO
14951 DALLAS PKWY
DALLAS TX 75254

REXEL

REXEL 1107 KEW
 504 ANGELA ST
 KEY WEST, FL 33040-7499
 305-296-6581
 Fax (305) 296-0277

Quotation

QUOTE DATE	QUOTE NUMBER	PAGE NO.
11/07/2014	S109242880	1 of 1
CUST PO#	KW BIGHT	
JOB/REL#	SITE POLE BID 12/3/2	

QUOTE TO:

SHIP TO:

CITY OF KEY WEST
 ATTN: A/P-FACILITIES MAINT
 633 PALM AVENUE
 KEY WEST, FL 33040-7066

CITY OF KEY WEST
 C/O KEY WEST BIGHT
 201 WILLIAMS STREET
 KEY WEST, FL 33040

CUSTOMER NUMBER	CUSTOMER PHONE#	ORDERED BY	SALESPERSON	
188227	305-292-8214	KAREN OLSON	James Groff 1107	
WRITER	SHIP VIA	TERMS	SHIP DATE	FREIGHT ALLOWED
Chris Meister 1107		PROX 25th	12/03/2014	Yes
ORDER QTY	DESCRIPTION		UNIT PRICE	EXT PRICE
1ea	WJW DIRECT ITEM CONSISTING OF THE FOLLOWING (4)XR45-D21M-13-AB-BLK-40-60-RC-WDN BOTH BASE COVER TOP & BOTTOM SECURITY RINGS INCLUDES. WARRANTY 3-YRS QUOTE INCLUDES 10-YRS PRO RATED ON PAINT FINISH. SAME AS EXISTING POLES FURNISHED			
1ea	AAL DIRECT ITEM CONSISTING OF THE FOLLOWING (4)UCM-LUM-(BL INNER LENS)-STR-T3-60LED-BW-BLK-STS-RCK-S TND-MNT-WIRED 120-277 (4)11A-1216-SLA17-STAINLESS STEEL STRAP (4) {PCA-C}ASSY-6" LONG TENON 5 YEAR FINISH WARRANTY NOT LIMITED TO CORROSIVE ENVIRONMENT			
	Subtotal -----			19825.00

All sales transactions are subject to credit approval. Any quotation and all transactions with Rexel are conditioned upon Rexel's Terms and Conditions of Sale located at <http://www.rexelusa.com/terms>. Quotation is valid for 30 days after the date of issue unless otherwise specified with the exception of commodity items. Quotation for commodity items is valid for the day of the quote only unless otherwise specified. All amounts quoted do not include state, local or municipal taxes of any kind. Applicable sales tax will be added at the time of sale.

Subtotal	19825.00
S&H Charges	0.00
Total	19825.00