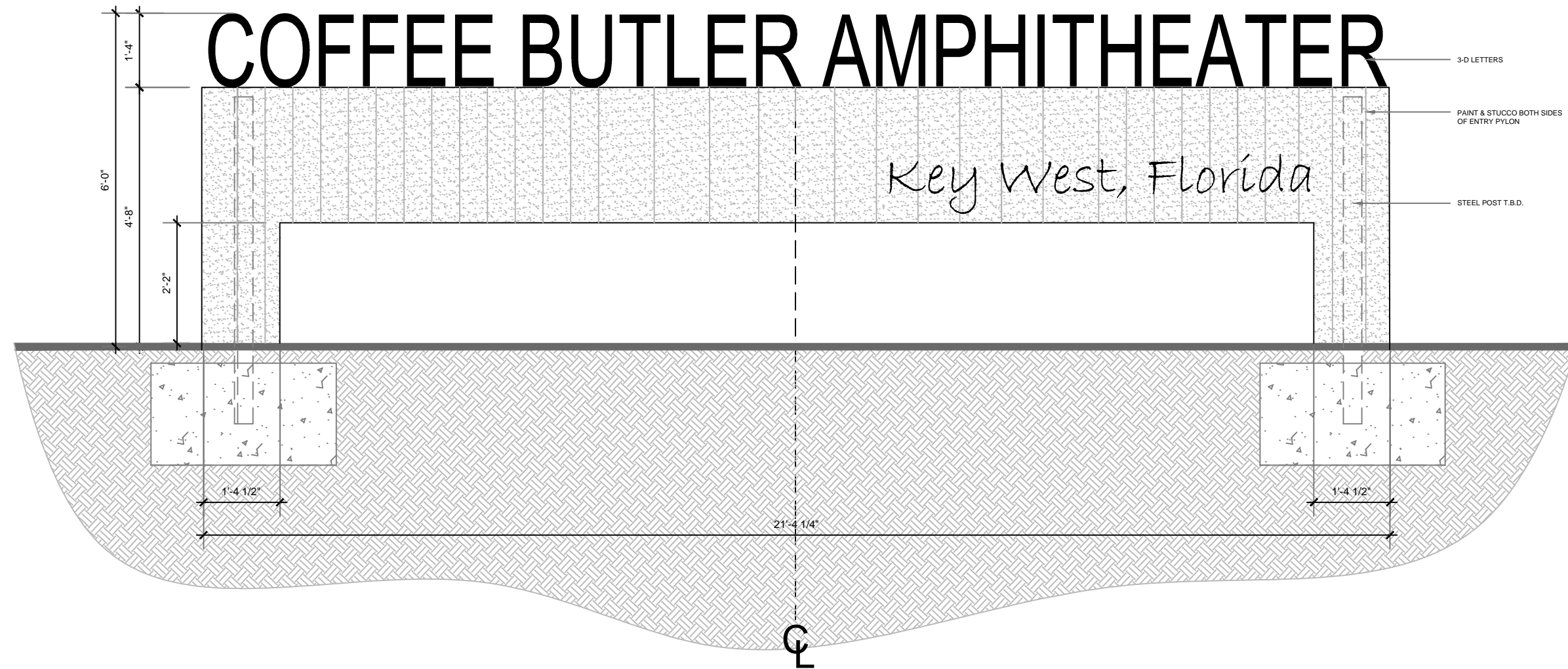




CITY OF KEY WEST
 ENGINEERING SERVICES
 1300 WHITE STREET, KEY WEST, FL
 33040



PROJECT NAME:
KEY WEST AMPHITHEATER SIGN

PROJECT ADDRESS:
**TRUMAN WATERFRONT
 KEY WEST, FLORIDA, 33040**

No.	Revision/Issue

DATE: 12/17/2019

SHEET NAME:
**SIGN ELEVATION
 OPTION A**

SHEET NUMBER:
A.1.00

Scale
 1" = 0' = 1"



CITY OF KEY WEST

ENGINEERING SERVICES
1300 WHITE STREET, KEY WEST, FL
33040

PROJECT NAME:
KEY WEST AMPHITHEATER SIGN

PROJECT ADDRESS:
TRUMAN WATERFRONT
KEY WEST, FLORIDA, 33040

PROJECT NAME:

PROJECT ADDRESS:

No.	Revision/Issue

DATE: 12/17/2019

SHEET NAME:

SITE PLAN
OPTION B

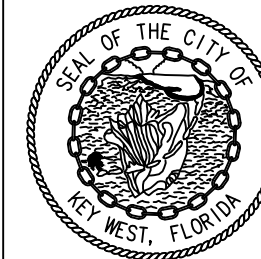
SHEET NUMBER:

A.1.10

Scale

1' - 0" = 3/16"





CITY OF KEY WEST

ENGINEERING SERVICES
1300 WHITE STREET, KEY WEST, FL
33040

KEY WEST AMPHITHEATER SIGN

TRUMAN WATERFRONT
KEY WEST, FLORIDA, 33040

PROJECT NAME:

PROJECT ADDRESS:

No.	Revision/Issue

DATE: 12/17/2019

SHEET NAME:

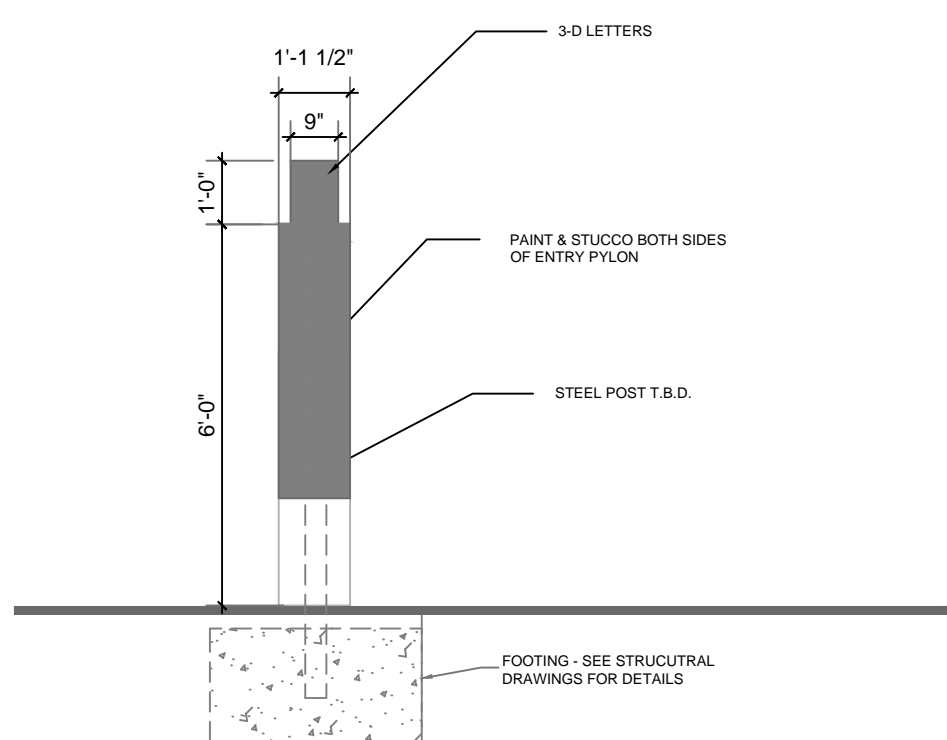
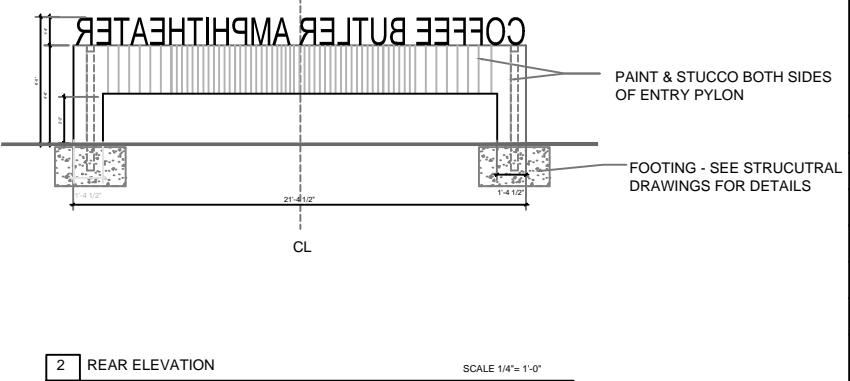
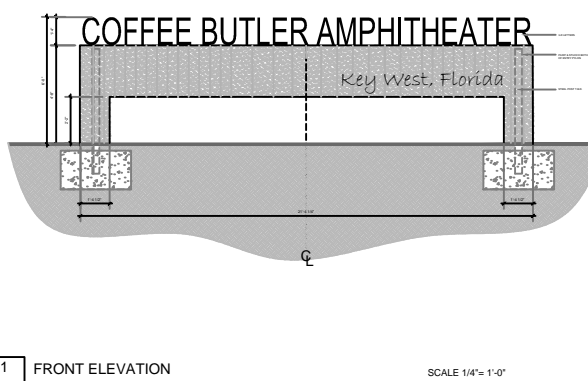
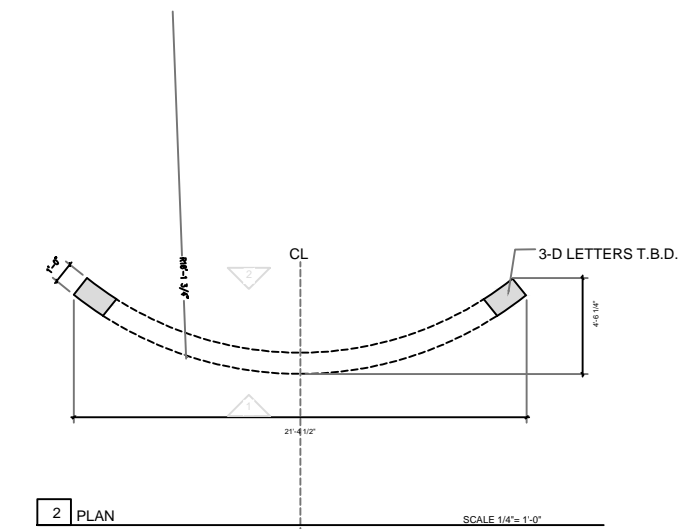
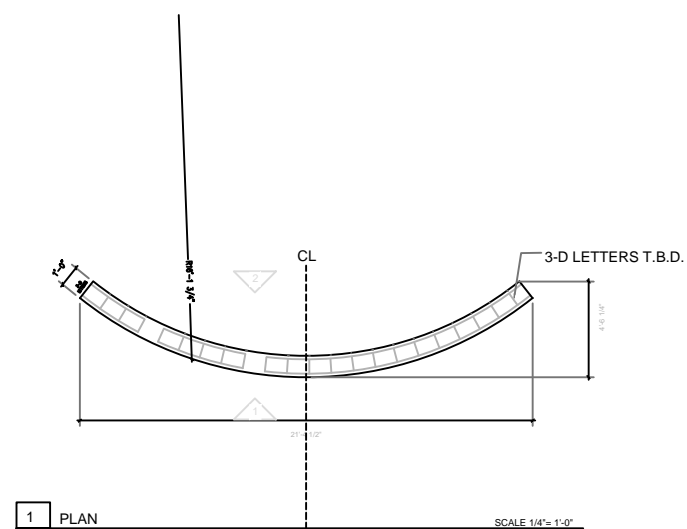
OPTION A

SHEET NUMBER:

A.1.11

Scale

1' - 0" = 1"



NOTES ON BUILDING SIGNAGE
1. LETTERS TO VERTICAL WALL SURFACES SHALL BE WATER JET CUT 1" ALUMINUM RAISED ON STAINLESS STEEL PINS, PAINTED WITH DUPONT IMRON COLORS COATED WITH IMRON CLEAR COAT, FINAL COLORS TO BE SELECTED BY OWNER / ARCHITECT.
2. LETTERS ON PYLON SIGN SHALL BE 7" DEEP 3D ALUMINUM MOUNTED ON STAINLESS STEEL PINS, PAINTED WITH DUPONT IMRON COLORS COATED WITH IMRON CLEAR COAT, FINAL COLORS TO BE SELECTED BY OWNER / ARCHITECT.
3. FOR ALL BUILDING SIGNAGE CONTRACTOR SHALL PROVIDE DETAILED SHOP DRAWINGS, ACTUAL COLOR SAMPLES AND MOCK-UP FOR OWNER / ARCHITECT TO REVIEW AND APPROVE.
4. ALL FONTS AND GRAPHICS STANDARDS SHALL BE PROVIDED BY ARCHITECT / CITY.