



PEDRO FALCON CONTRACTORS, INC.

31160 Avenue C, Big Pine Key, FL 33043-4516
(305) 872-2200 - Fax (305) 872-2219
EC 13003416 / CGC 1507617
www.pedrofalcon.com

Request for Change Order

Date submitted: 09/24/18

Project: Glynn Archer Gym

KW PO#: 087450

Change Order Request No: One

Description:

1. Provide additional work and materials to install 3” conduit from the generator to the new Gym MTS per RFI #1.

This includes the following:

Contractor’s Work

Item #1: Sawcut, demo existing sidewalk, install gravel, re-compact, form, rebar, pour and strip, cure concrete.

Labor	\$1,584.00
Materials	\$ 538.00
Other (small tools and trash disposal)	\$ 375.00
Total	\$ 2,497.00

Item #2: Excavate and install conduit and hand-holes from generator to the MTS.

Labor	\$ 3,607.00
Materials	\$ 5,356.00
Other (small tools, truck, trash disposal, safety watch confine space).....	\$1,232.00
Total	\$10,195.00

Item #3: Remove/ re-transplant or install new bushes and shrubs. Remove and or repair irrigation systems while excavating and removing the bushes.

Labor	\$ 1,584.00
Materials	\$ 780.00
Other (small tools, trash disposal)	\$ 150.00
Total	\$ 2,514.00
Total For Additional Work (Item #1 + Item #2 + Item #3).....	\$ 15,206.00
Overhead @ 10%.....	\$ 1,520.60
Subtotal	\$ 16,726.60
Profit @ 5%	\$ 836.33
Subtotal	\$17,562.93
Bond @ 1.5%	\$ 263.44
TOTAL ADDITIONAL COST FOR THE ABOVE.....	\$17,826.37

Permit Fees and Design Drawings are Not Included in this proposal. If additional permit fees are required the Owner is to reimburse all permit fees.

Net Amount of Request for Change Order:..... \$17,826.37

Additional Time Requested for Change:

- A. The schedule might have to be adjusted if a Change Order has not been received by 24 October 2018.

This proposal only encompasses the item(s) specifically outlined above and does not include any other items, whether stated or inferred, in any other documents. The terms set forth in this proposal shall have precedence over any other agreement and this proposal shall be included in any modification agreement.

Respectfully Submitted,



Christian Brisson
As President

End of Change Order Request



PEDRO FALCON CONTRACTORS, INC.

31160 Avenue C, Big Pine Key, FL 33043-4516
(305) 872-2200 - Fax (305) 872-2219
EC 13003416 / CGC 1507617
www.pedrofalcon.com

Request for Change Order

Date Submitted: 10/22/18

Project: Glynn Archer Gym

KW PO#: 087450

Change Order Request No: Two

Description: Response to RFI #18.

RFI #18 response added for the Contractor to grout solid the hollow CMU cells to be able to secure and anchor the ledger board to support the exercise area floor and also to support the mezzanine floor framing. (see enclosed RFI #18)

Scope of Work:

Concrete Floor area:

- Core the existing hollow CMU.
- Foam the CMU cavity below the cored CMU.
- Grout and wet set rebar dowel.

Mezzanine floor framing and exercise room floor framing ledger:

- Core the existing hollow CMU.
- Foam the CMU cavity below the cored CMU.
- Grout the hollow CMU cavity, let cure ready to drill and epoxy anchor bolts per the design drawings.

Contractor's Work

Materials.....\$ 870.75

Labor	\$2,439.36
Others, small tools and Consumables.....	\$ 425.00
Subtotal.....	\$3,735.11
Overhead @ 10%.....	\$ 373.51
Subtotal.....	\$4,108.62
Profit @ 5%.....	\$ 205.43
Subtotal.....	\$4,314.05
Bond @ 1.5%	\$ 64.71
TOTAL ADDITIONAL COST FOR THE ABOVE:.....	\$4,378.76

Permit Fees and Design Drawings are Not Included in this proposal. If additional permit fees are required the Owner is to reimburse all permit fees.

Net Amount of Request for Change Order:.....\$4,378.76

Additional Time Requested for Change:

- **No time extension required.**

Respectfully Submitted,



Christian Brisson
Project Manager

Pedro Falcon Contractors, Inc.

Request for Information

Date: 10/09/18

Project: Glynn Archer Gym

RFI # 18

Contractor: Pedro Falcon

Project #: ITB 18-028

Reference Specs: N/A

Reference Drawings: A-5.1, A-5.2 and 205/S-2.2

Description:

We have measured the height on where the PT 2 x 12 ledger for the mezzanine floor which will have to be install along the exterior perimeter wall as sown on 205/S-2.2. We have found that the ledger 2 x 12 anchors will be anchored into the hollow CMU wall. Can you please provide some guidance on how to anchor this member to the existing wall since this member is a critical structural component to support the flooring mezzanine framing system?

Thanks

Request submitted by: Christian Brisson

Date answer requested by: 10/16/18

Reply: The hollow CMU cells at the anchors can be filled with grout or if there is a solid concrete beam or solid CMU below the joists that can be anchored into, the ledger can be lowered with the floor joists bearing on top with a Simpson H2.5A at each joist.

Reply by:  Mark J. Keister, P.E.

Date: 10-11-18



PEDRO FALCON CONTRACTORS, INC.

31160 Avenue C, Big Pine Key, FL 33043-4516
(305) 872-2200 - Fax (305) 872-2219
EC 13003416 / CGC 1507617
www.pedrofalcon.com

Request for Change Order

Date Submitted: 10/19/18

Project: Glynn Archer Gym

KW PO#: 087450

Change Order Request No: Three

Description: Change requested by Owner to move existing chain link fence.

The SOS tenants cannot move material using the pallet and pallet jack through the existing chain-link fence gate. Gate is not wide enough. Requested to remove existing fence and relocate the fence beyond entrance doors to facilitate the movement of deliveries using the pallet and pallet jack.

Scope of Work:

- Cut and remove existing anchor bolts from existing posts.
- Cut existing main post to fit between the concrete ceiling slab and the concrete floor.
- Weld new base plates to existing posts. Base plate to have holes for the new anchor bolts.
- Install posts beyond the SOS ADA automatic door push button.
- Install gate and reinstall chain-link mesh.

Contractor's Work

Materials.....	\$ 215.00
Labor and Equipment.....	\$ 887.04
Welding shop, Others, small tools and consumables.....	\$ 700.00
Subtotal.....	\$1,802.04

Overhead @ 10%.....\$180.20
Subtotal.....\$1,982.24
Profit @ 5%.....\$ 99.11
Subtotal.....\$2,081.36
Bond @ 1.5%\$31.22
TOTAL ADDITIONAL COST FOR THE ABOVE:.....\$2,112.58

Permit Fees and Design Drawings are Not Included in this proposal. If additional permit fees are required the Owner is to reimburse all permit fees.

Net Amount of Request for Change Order:.....\$2,112.58

Additional Time Requested for Change:

- **No time extension required.**

Respectfully Submitted,



Christian Brisson
Project Manager



PEDRO FALCON CONTRACTORS, INC.

31160 Avenue C, Big Pine Key, FL 33043-4516
(305) 872-2200 - Fax (305) 872-2219
EC 13003416 / CGC 1507617
www.pedrofalcon.com

Request for Change Order

Date Submitted: 10/22/18

Project: Glynn Archer Gym

KW PO#: 087450

Change Order Request No: Four

Description: Response to RFI #14.

RFI #14 pointed out there was no footing on tow location to support the new CMU wall. The answer was to install two new footing with rebar and dowels per the sketch provided with the answer. (see enclosed RFI #14)

Scope of Work:

- Demo existing slurry and excavate new footings.
- Drill and epoxy rebar in existing concrete footings.
- Install new stirrups and dowels.
- Form, place and finish additional footings.
- Strip forms and backfill on each side of footings.

Contractor's Work

Materials.....	\$ 494.500
Labor and Equipment.....	\$ 1,663.20
Others, small tools and Consumables.....	\$ 100.00
Subtotal.....	\$2,257.70
Overhead @ 10%.....	\$ 225.77
Subtotal.....	\$2,483.47

Profit @ 5%.....\$ 124.17
Subtotal.....\$2,607.64
Bond @ 1.5%\$ 39.11
TOTAL ADDITIONAL COST FOR THE ABOVE:.....\$2,646.76

Permit Fees and Design Drawings are Not Included in this proposal. If additional permit fees are required the Owner is to reimburse all permit fees.

Net Amount of Request for Change Order:.....\$2,646.76

Additional Time Requested for Change:

- **No time extension required.**

Respectfully Submitted,



Christian Brisson
Project Manager

Pedro Falcon Contractors, Inc.

Request for Information

Date: 10/02/18

Project: Glynn Archer Gym

RFI # 14

Contractor: Pedro Falcon

Project #: ITB 18-028

Reference Specs: N/A

Reference Drawings: S-1.1

Description:

Note 2 from the "First Floor Plan" calls for an 8" CMU wall with #5 at 48" OC drill and adhesive into existing footing with 6" embedment. Unfortunately, approximately 4'-0" does not have any existing footing to install the 8" CMU stair retaining walls onto. Enclosed are three pictures and a part plan showing these two locations. Can you please provide direction on how to proceed or provide a footing detail to support these walls?

Thanks

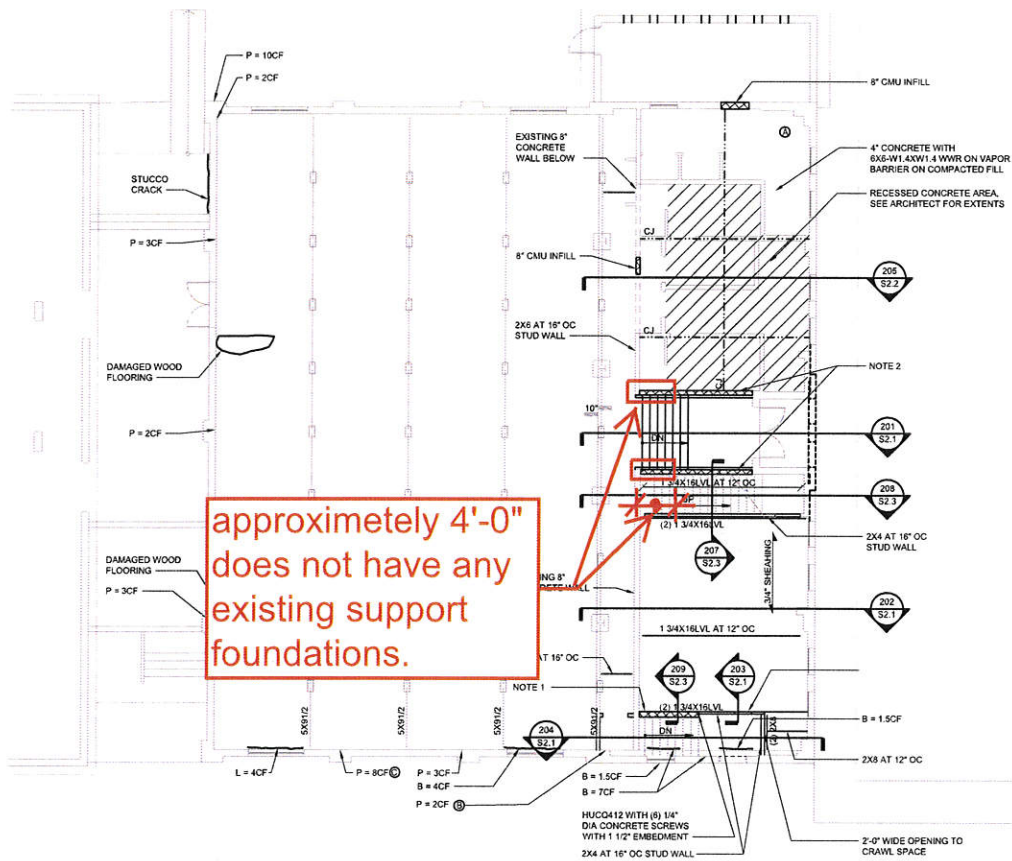
Request submitted by: Christian Brisson

Date answer requested by: 10/05/18

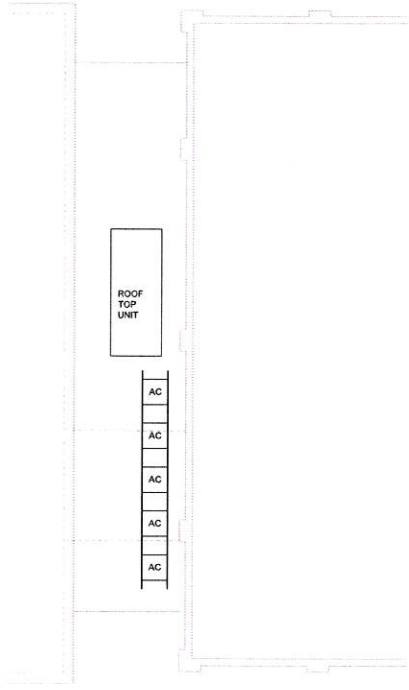
Reply: These walls will require a new 2'-0" x 1'-4" concrete footing with 4-#4 continuous and #3 ties at 2'-0" O.C. (see attached marked up S-2.3).

Reply by:  Mark J. Keister, P.E.

Date: 10/02/18



approximately 4'-0" does not have any existing support foundations.



FIRST FLOOR PLAN

UPPER LEVEL PLAN



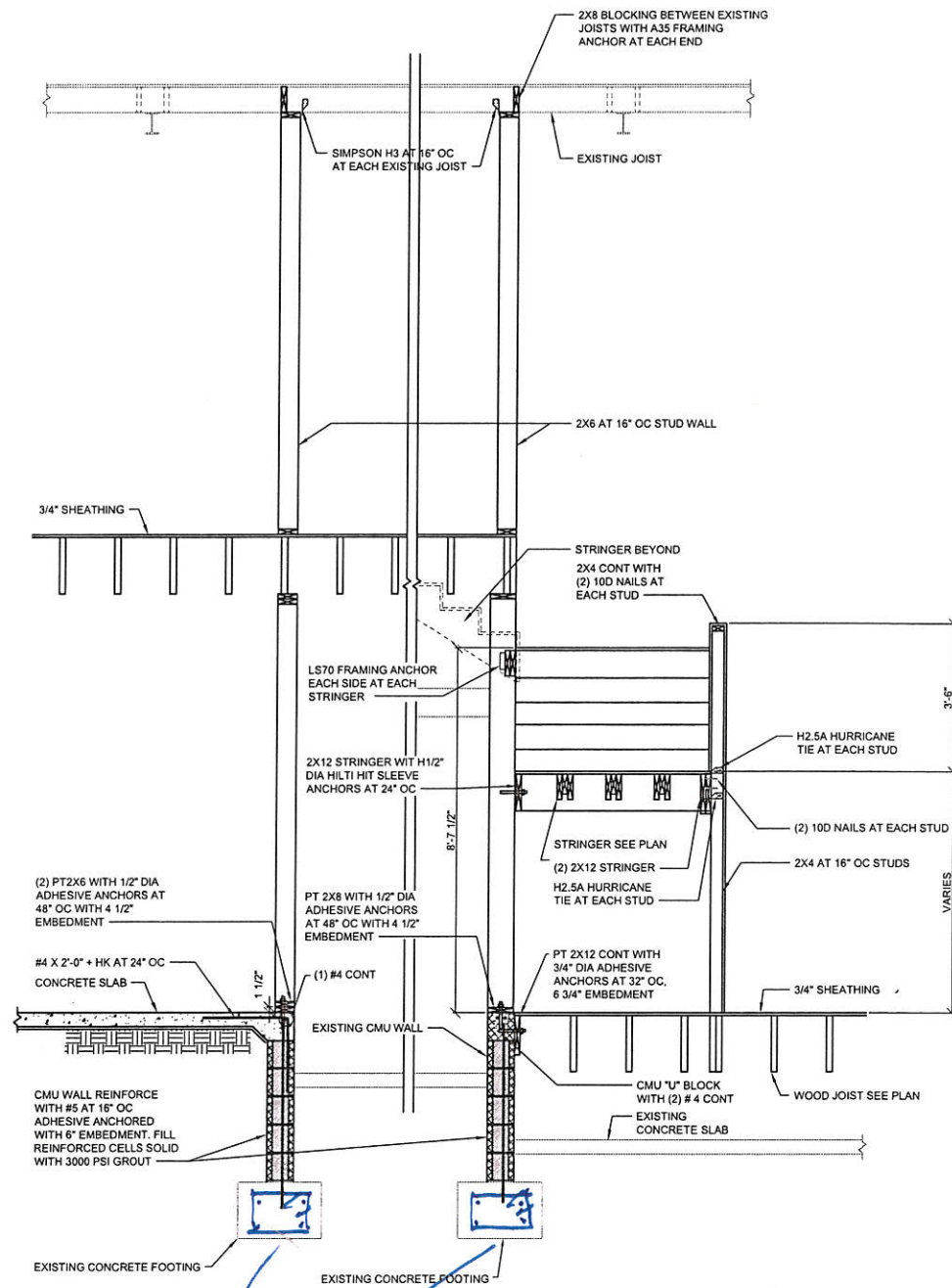
No support foundations for the new 8" CMU Wall



No support
foundation for the
new CMU wall on
both sides

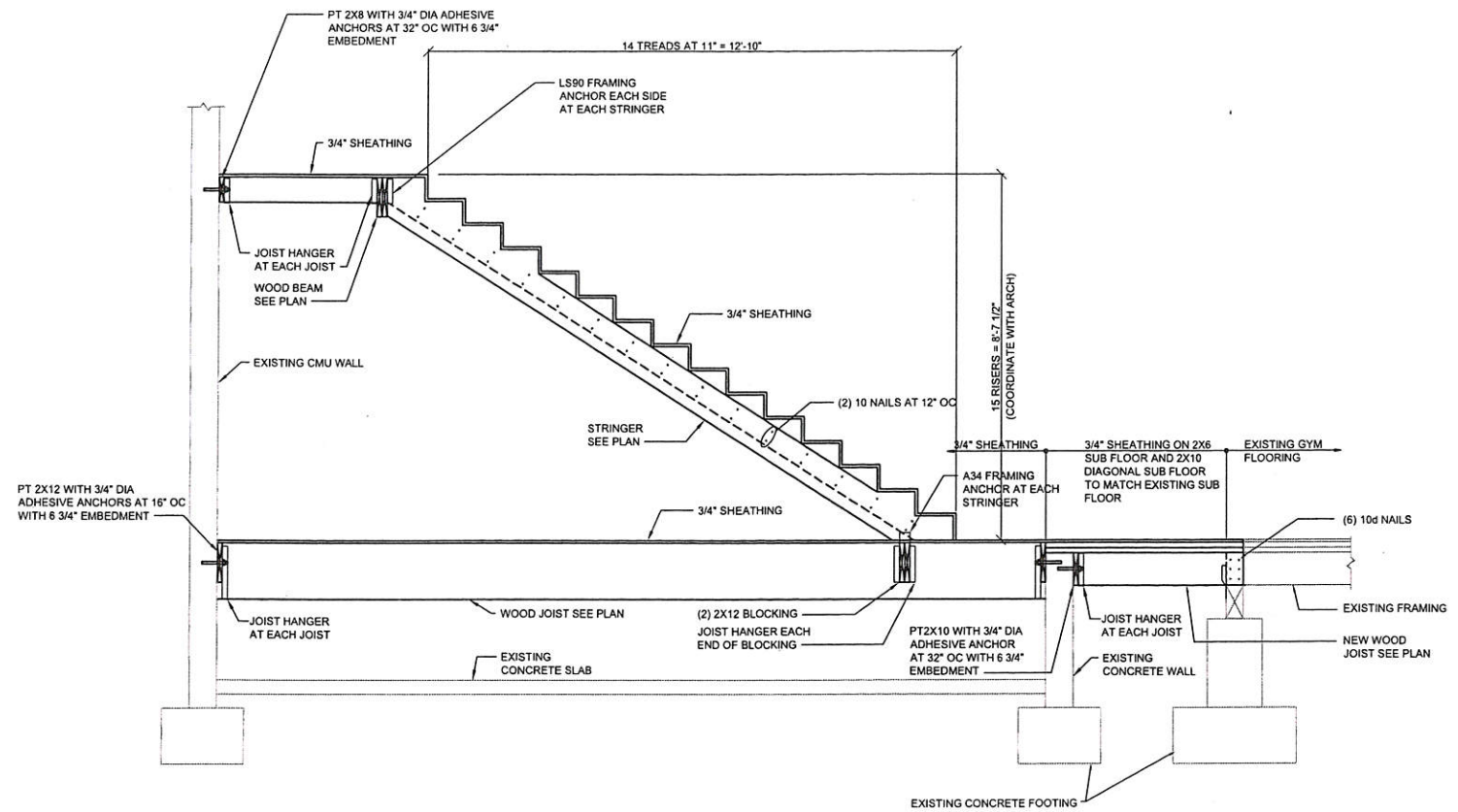


No support
foundation for the
new CMU wall

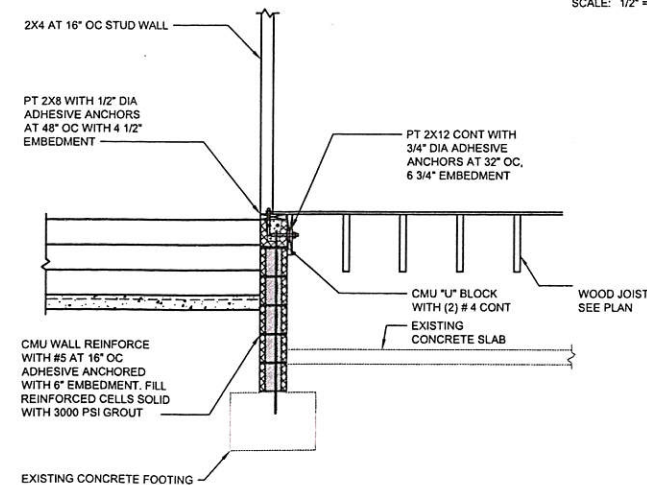


SECTION 207
SCALE: 1/2" = 1'-0"

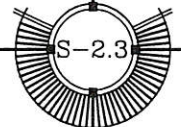
New 110"x14" concrete footing w/ 4-#4 cont. of #4 bars @ 1'-0" O.C.



SECTION 208
SCALE: 1/2" = 1'-0"



SECTION 209
SCALE: 1/2" = 1'-0"





PEDRO FALCON CONTRACTORS, INC.

31160 Avenue C, Big Pine Key, FL 33043-4516
(305) 872-2200 - Fax (305) 872-2219
EC 13003416 / CGC 1507617
www.pedrofalcon.com

Request for Change Order

Date Submitted: 10/23/18

Project: Glynn Archer Gym

KW PO#: 087450

Change Order Request No: Five

Description: Response to RFI #13 which included a revised drawing for the exterior windows. (see attached revised A-6.1 Drawings enclosed)

Furnish and install a custom simulated divided muntins as shown on the revised architectural drawing sheet A-6.1

Subcontractor's Work

Add custom simulated muntins\$4,651.00

Subtotal.....\$4,651.00

Administration Fee @ 5%.....\$ 232.55

Subtotal.....\$4,883.55

Bond @ 1.5%\$ 73.25

TOTAL ADDITIONAL COST FOR THE ABOVE:.....\$4,956.80

Permit Fees and Design Drawings are Not Included in this proposal. If additional permit fees are required the Owner is to reimburse all permit fees.

Net Amount of Request for Change Order:.....\$4,956.80

Additional Time Requested for Change:

- **No time extension required if a Change Order is received no later than 22 November 2018.**

This proposal only encompasses the item(s) specifically outlined above and does not include any other items, whether stated or inferred, in any other documents. The terms set forth in this proposal shall have precedence over any other agreement and this proposal shall be included in any modification agreement.

Respectfully Submitted,



Christian Brisson
Project Manager



**WINDOW & DOOR
DESIGN CENTER**

861 Jupiter Park Drive Suite E Jupiter, FL 33458 | www.wddcfl.com | office: 561.743.9688

CHANGE ORDER # 1

October 17, 2018

Details:

- ~~Hope's Windows Deposit Invoice: PAID~~ ~~\$72,456.25~~
- 25% Fabrication Deposit: \$72,456.25
- 35% Due prior to Shipment: \$101,438.75
- Balance Due Upon Completion: No Retention

CHANGE ORDER DETAILS BELOW:

Change Order #1: 10/17/18 NOT YET ACCEPTED/DECLINED

To furnish custom simulated divided muntins as requested per architectural drawing sheet A6.1
..... **ADD \$4,651.00**

TOTAL DUE PRIOR TO FABRICATION: \$72,456.25**

****SALES TAX INCLUDED, Prior to acceptance of Change Order # 1. If CO # 1 is accepted, revised invoice will be submitted prior to release to fabrication.**

PAYMENT TERMS:

Due Upon Receipt.

Written acceptance of this proposal shall constitute a valid and binding contract between the parties hereto, their heirs and assigns. This proposal is subject to acceptance within 30 days from date hereon. No changes are to be made to this proposal or any terms or conditions unless expressly agreed to, in writing, by Window and Door Design Center.

BUYER: _____

BY: _____

TITLE: _____ DATE: _____

SELLER: _____

Jason Malouf
Vice President of Sales, Window and Door Design Center

Initials: _____



PEDRO FALCON CONTRACTORS, INC.

31160 Avenue C, Big Pine Key, FL 33043-4516
(305) 872-2200 - Fax (305) 872-2219
EC 13003416 / CGC 1507617
www.pedrofalcon.com

Request for Change Order

Date Submitted: 10/25/18

Project: Glynn Archer Gym

KW PO#: 087450

Change Order Request No: Six

Description: As requested by City representative, Contractor to remove and install a new door at north side storage room, including transplanting bushes and new sidewalk. (see enclosed sketch).

Scope of work:

1. Acquire permit and remove/transplant existing autograph bushes (Clusia Rosea) (2 each) to be able to install new sidewalk from existing 6 feet wide sidewalk to the storage room. Location for the transplant is estimated to be on Key West City Hall site and to be coordinated with City Official.
2. Demo existing door and door transom/header.
3. Grind and apply a parge coat to existing concrete door jambs to make smooth and plumb.
4. Level existing ground and re-compact at new sidewalk location and stoop.
5. Install approximately 4" of double crush stone and compact for new sidewalk and stoop.
6. Form, install wire mesh, place, finish and cure new sidewalk and stoop. Also strip forms and backfill edge of sidewalk.
7. Install new 6'-8" x 3'-0" - 4 panel **Fiberglass** Impact door with wood frame.
8. Install door hardware and lockset.
9. Trim door and install transom as best as possible since the headroom is really constricted.
10. Patch exterior stucco that has been disturbed and paint door and frame.

Note: This sidewalk will be installed over the existing concrete structure of some type. This proposal has not included any type of work to this existing structure.

Subcontractor's Work

Remove/Transplant Autograph Bushes or replace.....\$ 750.00

Contractor's Work

Materials.....\$ 2,342.43

Labor\$ 2,642.64

Others, small tools and Consumables.....\$ 425.00

Subtotal (including Subcontractors work).....\$6,160.07

Overhead @ 10%.....\$ 616.01

Subtotal.....\$6,776.07

Profit @ 5%.....\$ 338.80

Subtotal.....\$7,114.88

Bond @ 1.5% \$ 106.72

TOTAL ADDITIONAL COST FOR THE ABOVE:.....\$7,221.60

Permit Fees except for the tree permit and Design Drawings are Not Included in this proposal. If additional permit fees are required the Owner is to reimburse all permit fees.

Net Amount of Request for Change Order:.....\$7,221.60

Additional Time Requested for Change:

- **No time extension required if a Change Order is received no later than 16 November 2018.**

This proposal only encompasses the item(s) specifically outlined above and does not include any other items, whether stated or inferred, in any other documents. The terms set forth in this proposal shall have precedence over any other agreement and this proposal shall be included in any modification agreement.

Respectfully Submitted,

A handwritten signature in black ink, appearing to read 'C. Brisson', with a long horizontal flourish extending to the right.

Christian Brisson
Project Manager

New sidewalk and stoop

EXISTING SIDEWALK

New 4 panel fiberglass impact door

LANDSCAPE AREA

2
A-4

STORAGE ROOM (ONLY ROOF WORK IN SCOPE)
114

REMOVE DOOR AND
INFILL W/MASONRY

1
A-2.1

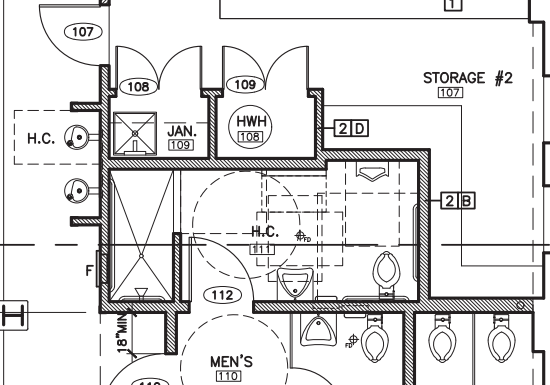
±14'-10"

STORAGE #2
107

NEW METAL IMPACT RESISTANT
WINDOWS IN EXISTING MASONRY
OPENINGS, TYPICAL ALL
OPENINGS - SEE ELEVATIONS

EXISTING SIDEWALK

2
A-6





PEDRO FALCON CONTRACTORS, INC.

31160 Avenue C, Big Pine Key, FL 33043-4516
(305) 872-2200 - Fax (305) 872-2219
EC 13003416 / CGC 1507617
www.pedrofalcon.com

Request for Change Order

Date Submitted: 10/26/18

Project: Glynn Archer Gym

KW PO#: 087450

Change Order Request No: Seven

Description: We have discovered extensive concrete cracking at multiple locations in the gym on the interior and exterior that are not indicated on the Contract drawings. As discussed at the progress meeting, we are providing a proposal to repair these additional damaged areas based on a cubic feet of repair mortar (Sika) that will be used. We are offering two sets of unit prices based on the repair method shown on drawing S-5.1. One is for vertical type repairs based on detail B/S-5.1 and the other is for horizontal type work for beams and headers based on C/S-5.1.

Please note that our original bid for this project for the concrete repairs, excluding stucco repairs, was \$1,373.69 per cubic feet of Sika repair mortar including profit overhead and bond cost.

For **Vertical type repairs per detail B/S-5.1**, the work will include the following items:

- Scaffolding and or man-lift.
- Small tools and consumables.
- Saw cut and Chipping existing unsound concrete.
- Drill and epoxy rebar.
- Sandblast or Waterblast existing surfaces and exposed rebar.
- Install anodes.
- Coat rebar and surfaces with Armatec 110 as described on sheet S-5.1
- Form, pour or trowel apply Sika 223 or 211.
- Remove form and cure.
- (Repair exterior stucco as needed if at exterior)
- Clean up and dispose of removed concrete into the trash container.

Contractor's Work

<u>1 cubic feet</u> of Sika Material Installed.....	\$ 901.33
Subtotal	\$ 901.33
Overhead @ 10%	\$ 90.13
Subtotal	\$ 991.46
Profit @ 5%	\$ 49.57
Subtotal	\$1,041.03
Bond @ 1.5%	\$ 15.62
TOTAL ADDITIONAL COST <u>PER CUBIC FEET</u> OF SIKA MAMTERIAL FOR THE ABOVE..	
\$ 1,056.65	

For **Horizontal type repairs per C/S-5.1**, the work will include the following items:

- Scaffolding and or man-lift.
- Small tools and consumables.
- Saw cut and Chipping existing unsound concrete.
- Drill and epoxy rebar.
- Sandblast or Waterblast existing surfaces and exposed rebar.
- Install anodes.
- Coat rebar and surfaces with Armatec 110 as described on sheet S-5.1
- Form, pour or pump SIKADUR 42. Grout per manufacturer.
- Remove form and cure.
- (Repair exterior stucco if at exterior.)
- Clean up and dispose of removed concrete into the trash container.

Contractor's Work

<u>1 cubic feet</u> of Sika Material Installed.....	\$1,261.05
Subtotal	\$1,261.05
Overhead @ 10%	\$ 126.11
Subtotal	\$1,387.16
Profit @ 5%	\$ 69.37

Subtotal.....\$1,456.52

Bond @ 1.5%\$ 21.85

**TOTAL ADDITIONAL
COST PER CUBIC FEET OF SIKA MAMTERIAL FOR THE ABOVE...\$ 1,478.37**

Permit Fees and Design Drawings are Not Included in this proposal. If additional permit fees are required the Owner is to reimburse all permit fees.

Additional Time Requested for Change:

- **No time extension required if a Change Order is received no later than 16 November 2018.**

This proposal only encompasses the item(s) specifically outlined above and does not include any other items, whether stated or inferred, in any other documents. The terms set forth in this proposal shall have precedence over any other agreement and this proposal shall be included in any modification agreement.

Respectfully Submitted,



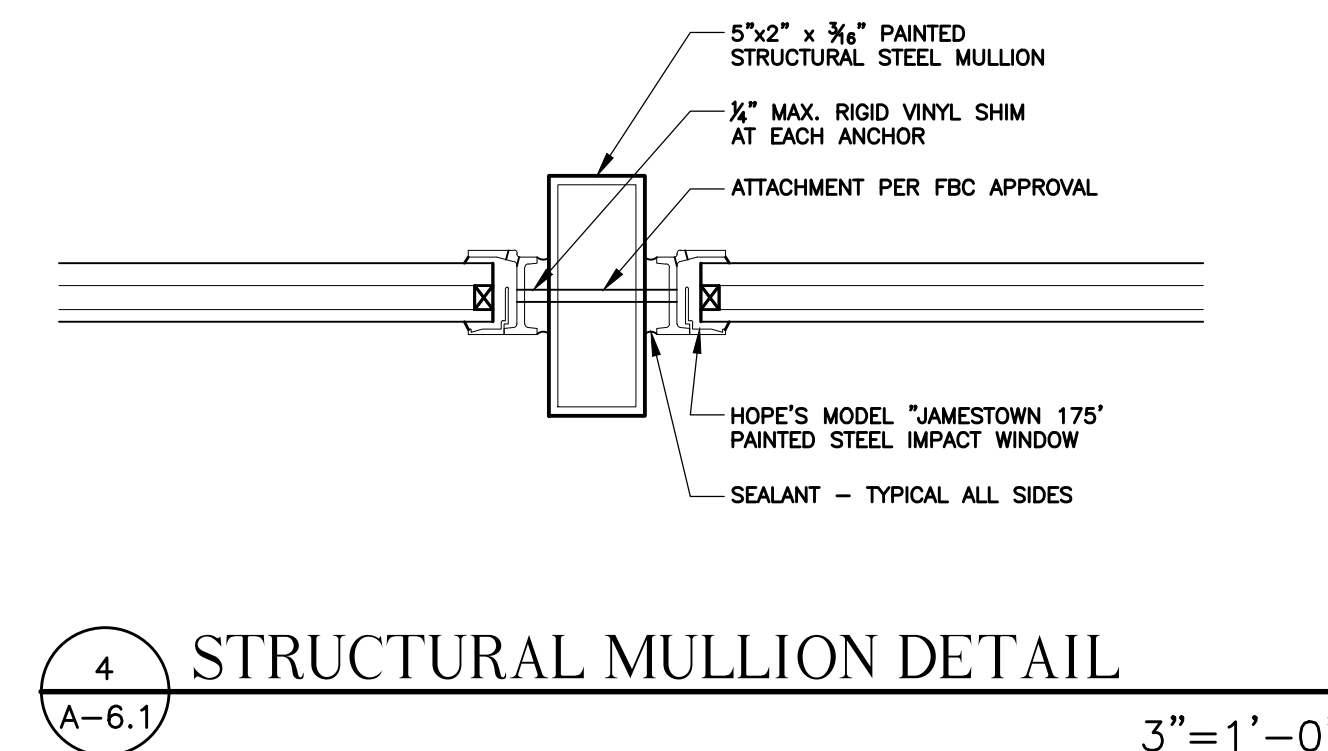
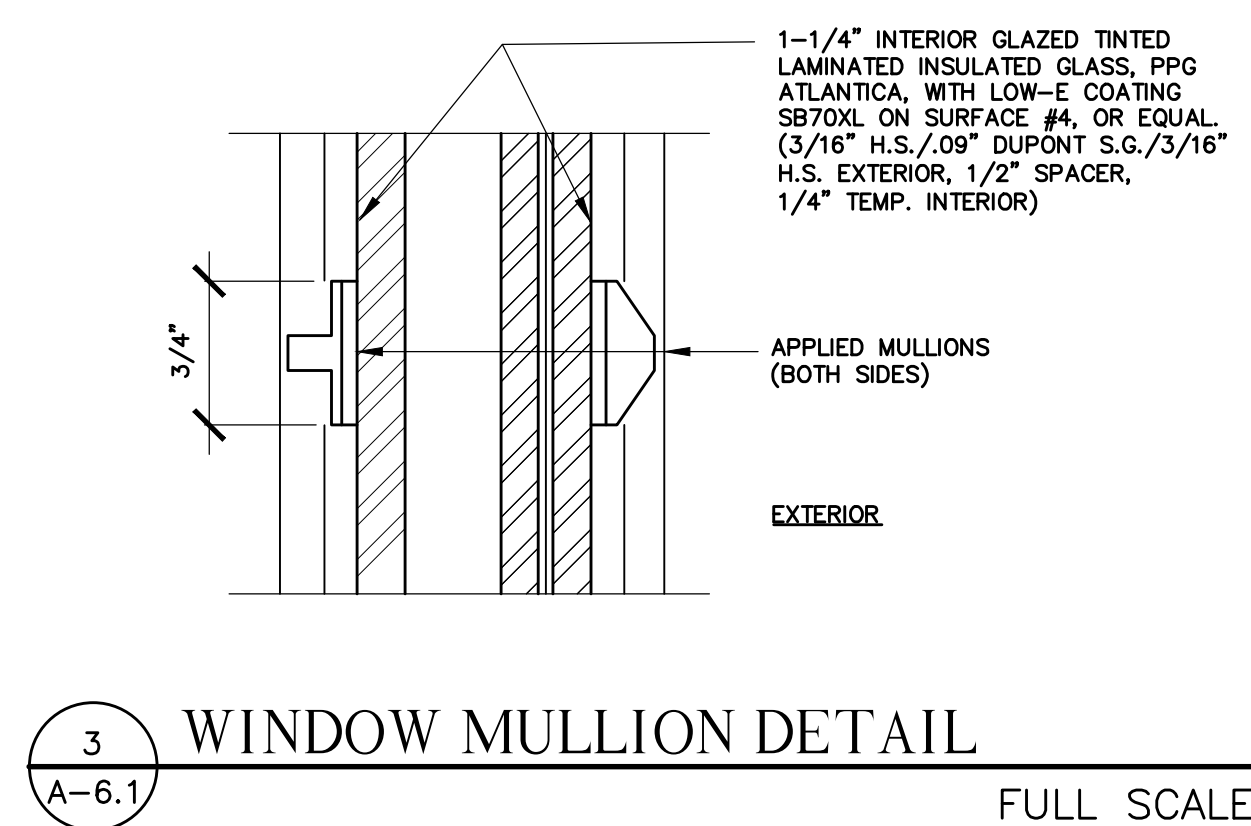
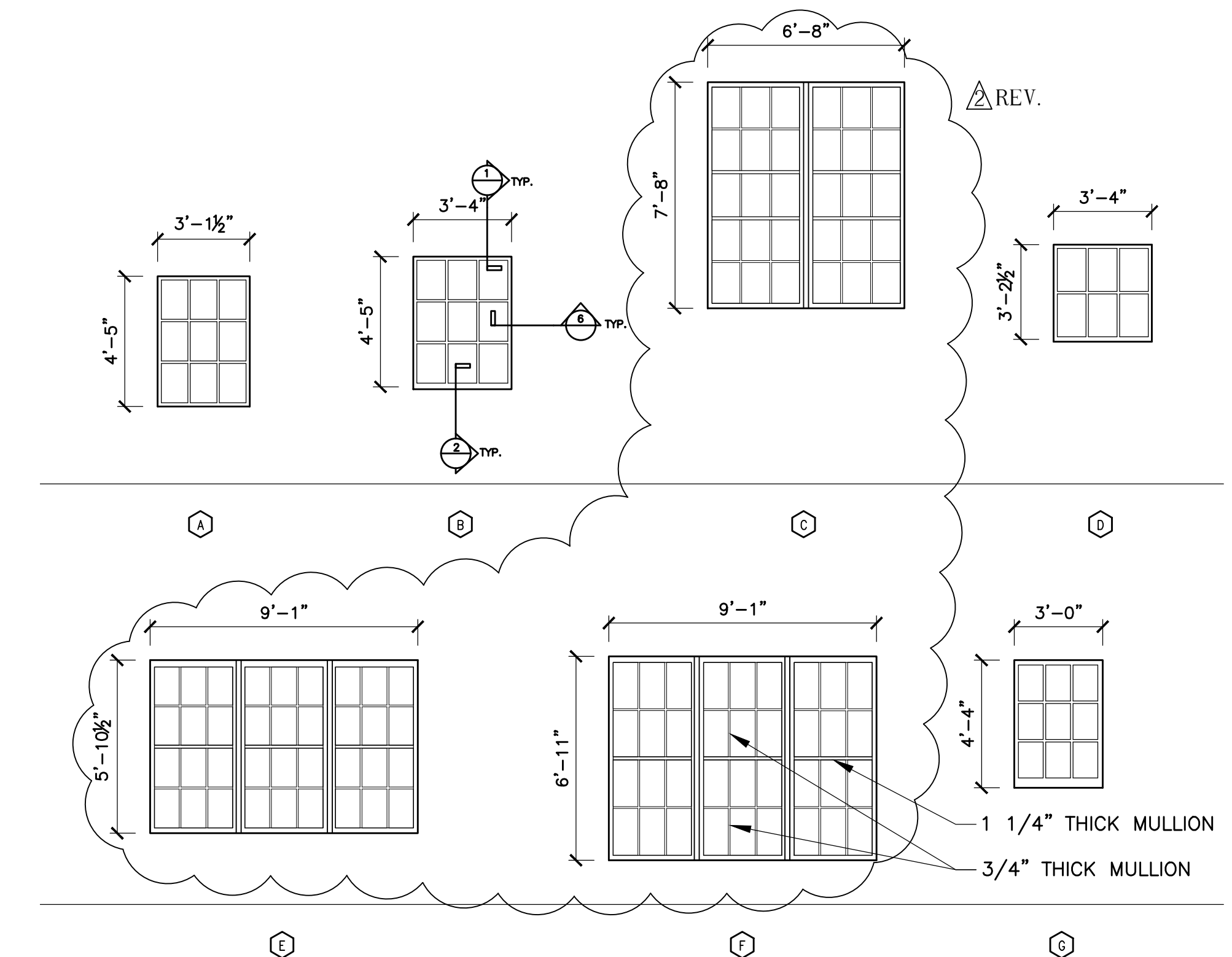
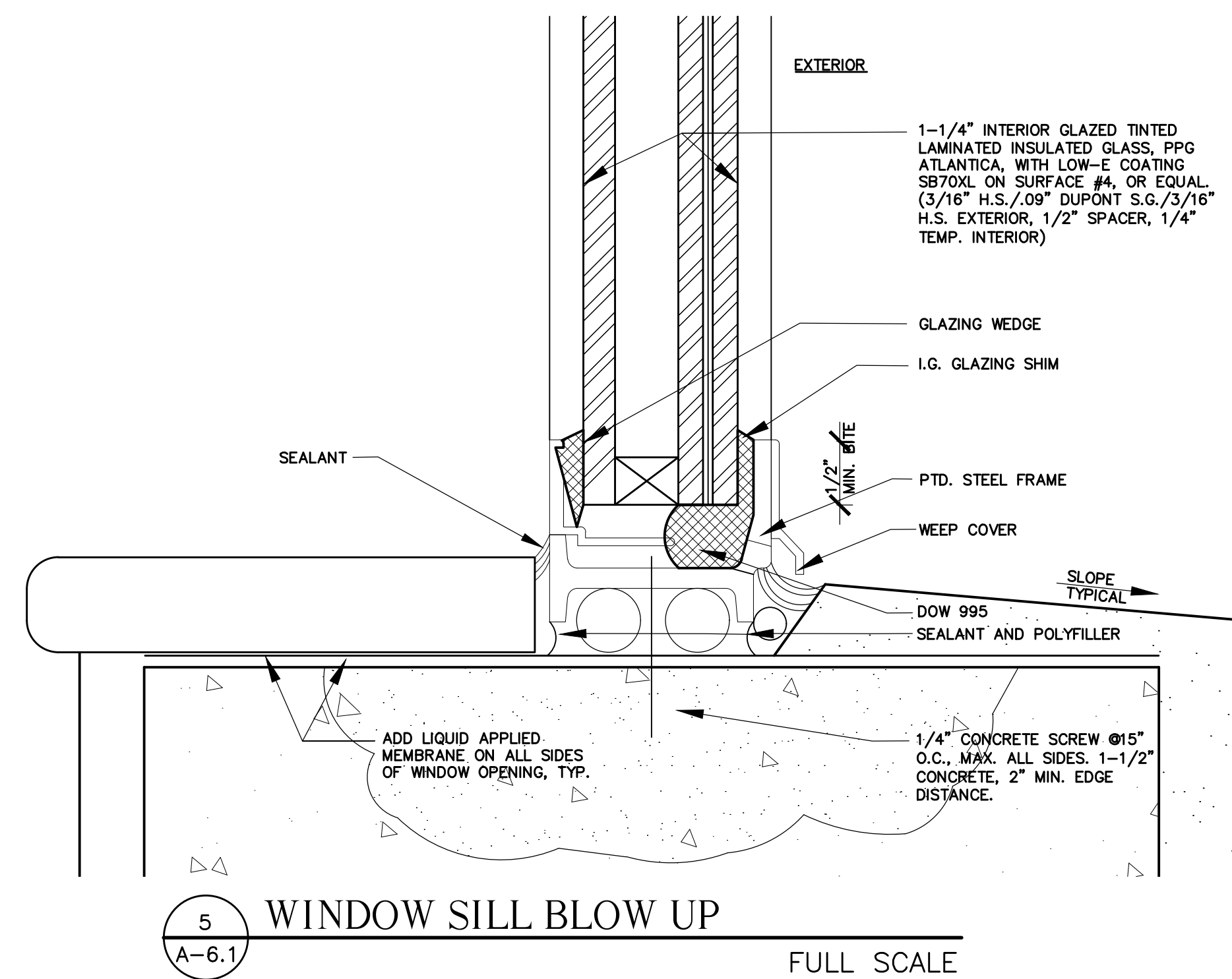
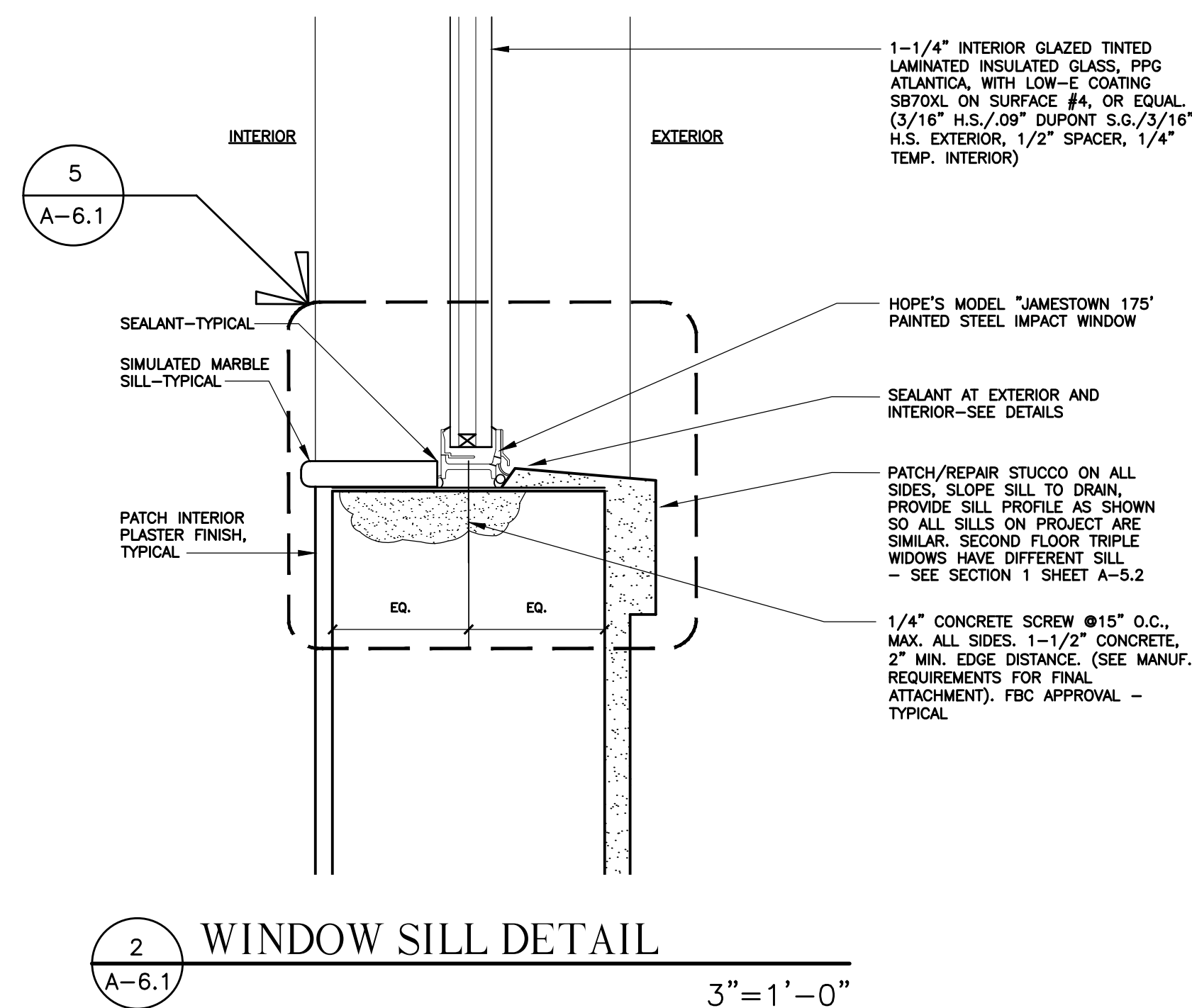
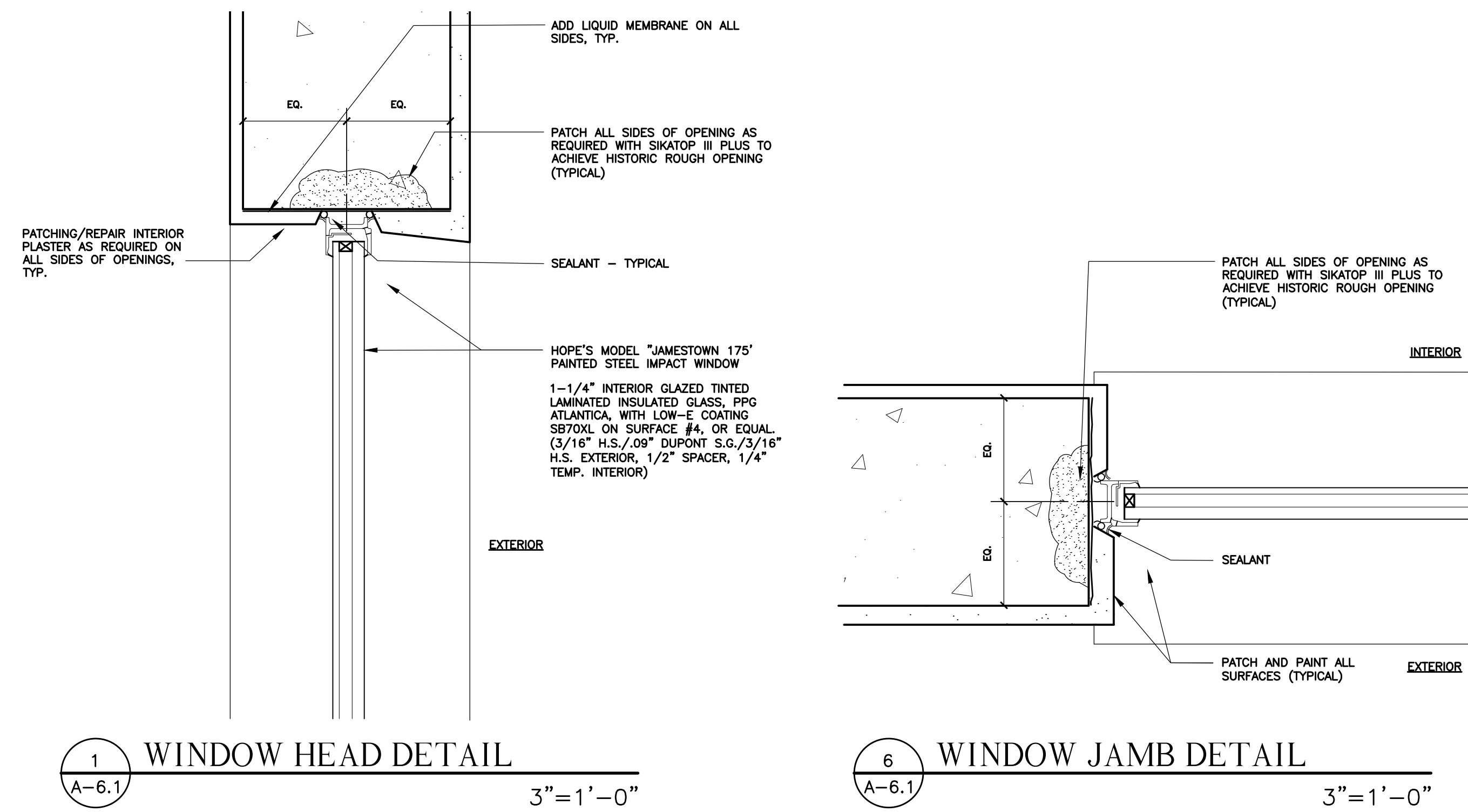
Christian Brisson
Project Manager

WINDOW SCHEDULE										
BASIS OF DESIGN: HOPE'S JAMESTOWN 175 SERIES HEAVY CUSTOM HOT ROLLED STEEL										
	SIZE (APPROX.)*	FINISH	GLAZING	FRAME MAT.	WIND LOAD RATING (FIELD)	WIND LOAD RATING (CORNER)	APPROVAL NUMBER	MANUF. WIND LOAD RATING	MANUFACTURER	TYPE
A	3'5"x4'5"	PAINTED	IMPACT	GALV. STEEL	+44.4/-48.0	+44.4/-57.6	FL 14148	+80.2/-87.1	HOPE'S JAMESTOWN 175 SERIES HEAVY CUSTOM HOT ROLLED STEEL	FIXED WINDOW, IMPACT RESISTANT
B	3'4"x4'5"	PAINTED	IMPACT	GALV. STEEL	+44.4/-48.0	+44.4/-57.6	FL 14148	+80.2/-87.1	HOPE'S JAMESTOWN 175 SERIES HEAVY CUSTOM HOT ROLLED STEEL	FIXED WINDOW, IMPACT RESISTANT
C	6'8"x7'8"	PAINTED	IMPACT	GALV. STEEL	+39.6/-43.2	+39.6/-48.0	FL 14148	+80.2/-87.1	HOPE'S JAMESTOWN 175 SERIES HEAVY CUSTOM HOT ROLLED STEEL	FIXED WINDOW, IMPACT RESISTANT
D	3'4"x3'2.5"	PAINTED	IMPACT	GALV. STEEL	+44.4/-48.0	+44.4/-57.6	FL 14148	+80.2/-87.1	HOPE'S JAMESTOWN 175 SERIES HEAVY CUSTOM HOT ROLLED STEEL	FIXED WINDOW, IMPACT RESISTANT
E	9'1"x10'5"	PAINTED	IMPACT	GALV. STEEL	+39.6/-43.2	+39.6/-48.0	FL 14148	+80.2/-87.1	HOPE'S JAMESTOWN 175 SERIES HEAVY CUSTOM HOT ROLLED STEEL	FIXED WINDOW, IMPACT RESISTANT
F	9'1"x6'11"	PAINTED	IMPACT	GALV. STEEL	+39.6/-43.2	+39.6/-48.0	FL 14148	+80.2/-87.1	HOPE'S JAMESTOWN 175 SERIES HEAVY CUSTOM HOT ROLLED STEEL	FIXED WINDOW, IMPACT RESISTANT
G	3'0"x4'	PAINTED	IMPACT	GALV. STEEL	+44.4/-48.0	+44.4/-57.6	FL 14148	+80.2/-87.1	HOPE'S JAMESTOWN 175 SERIES HEAVY CUSTOM HOT ROLLED STEEL	FIXED WINDOW, IMPACT RESISTANT

*CONTRACTOR TO VERIFY ALL OPENING DIMENSIONS AND COORDINATE WITH MANUFACTURED PRODUCTS AVAILABLE. CONTRACTOR RESPONSIBLE FOR FINAL MASONRY OPENING SIZES AND COORDINATION. CONTRACTOR TO INCORPORATE ANY REQUIRED MULLION STRUCTURAL SUPPORTS REQUIRED BY MANUFACTURER BETWEEN MULTIPLE OPENINGS.

NOTES:

1. ALL EXTERIOR OPENINGS SHALL BE PROVIDED WITH DOORS, WINDOWS, OR LOUVERS WHICH MEET ASCE/SEI 7-10, FLA. BUILDING CODE, 2017 EDITION. WIND PRESSURE ON COMPONENTS AND CLADDING (CH 30 PART 1) ALL PRESSURES SHOWN ARE BASED UPON ASD DESIGN, WITH A LOAD FACTOR OF 0.8. 180 MPH, WIND LOAD AND IMPACT REQUIREMENTS, SEE SPECIFICATIONS.
2. DESIGN PRESSURES PROVIDED BY STRUCTURAL ENGINEER.
3. ALL EXTERIOR FENESTRATIONS SHALL HAVE A MAXIMUM U-FACTOR AND SHGC AS PER FLORIDA COMMERCIAL ENERGY CONSERVATION BUILDING CODE 2017 UNLESS OTHERWISE NOTATED IN PERFORMANCE METHOD CALCULATIONS PROVIDED BY ENGINEER.
4. THE THERMAL ENVELOPE OF THE BUILDING SHALL COMPLY WITH FLORIDA COMMERCIAL ENERGY CONSERVATION BUILDING CODE 2017 AND SECTION C402.5, AND TABLE C402.5.2. FOR AIR LEAKAGE AND AIR BARRIER REQUIREMENTS. CONTRACTOR TO ENSURE ALL EXTERIOR DOORS AND WINDOWS ARE SEALED TO COMPLY WITH AIR LEAKAGE AND AIR BARRIER REQUIREMENTS. ALL EXTERIOR FENESTRATIONS SHALL BE GASKETED, WEATHER-STRIPPED OR OTHERWISE SEALED.
5. CONTRACTOR TO PROVIDE FULL SET OF SHOP DRAWINGS SPECIFIC TO THIS PROJECT, INCLUDING BUT NOT LIMITED TO WINDOW, LOUVER AND STOREFRONT ELEVATIONS, SILL/JAMB/HEAD DETAILS, GLASS TYPE, NOA OR FLORIDA PRODUCT APPROVALS, FINISH SAMPLES, ETC.



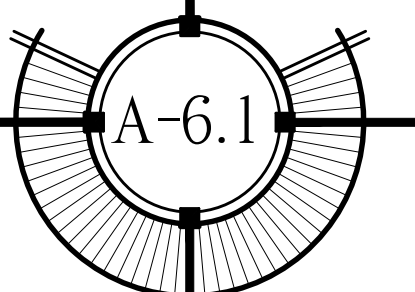
SEAL

DATE
05-15-17 HARC
01-23-18 REV
05-09-18 BID
06-08-18 BLDG. DEPT.

REVISIONS
09-04-18 Δ REV.
10-02-18 Δ REV.

DRAWN BY
JW

PROJECT NUMBER
1702





PEDRO FALCON CONTRACTORS, INC.

31160 Avenue C, Big Pine Key, FL 33043-4516
(305) 872-2200 - Fax (305) 872-2219
EC 13003416 / CGC 1507617
www.pedrofalcon.com

Request for Change Order **Revised**

Date Submitted: 12/06/18

Project: Glynn Archer Gym
KW PO#: 087450

Change Order Request No: Eight **(With Anode Credit)**

Description: Perform concrete repairs at four existing steel columns that are spalling located on the West wall of the gym.

The repairs will be performed per the sketch received on 11/20/18 via email from Mr. Bill Horn and the additional clarifications received on 11/21/18. This will include the following:

- Layout of the score cuts
- Saw cut and chipping existing unsound concrete including behind existing vertical rebars.
- Grind/needle nose existing steel column members.
- Drill and epoxy rebar and install two vertical rebars.
- Waterblast existing surfaces and exposed rebar.
- **Install anodes to rebar only.** No anodes to the steel column.
- Coat rebar and steel column surfaces with Armatec 110 as described on sheet S-5.1
- Form, pour, strip forms. Note: this will be poured with a minimum of 4,000 PSI pea gravel mix.
- Remove form and cure.
- Scaffolding **(provided at no charge)**
- Small tools and consumables.
- Clean up and dispose of removed concrete into the trash container.

Contractor's Work

Materials.....	4 Columns X \$3,934.50 = \$15,738.00
Materials.....	Anode credit 4 Columns X (\$1,881.25) = (\$7,525.00)
Labor	4 Columns X \$7,942.44 = \$31,769.76
Labor	Anode credit 4 Columns X (\$274.56) = (\$1,098.24)
Others, pump, small tools and Consumables.....	4 Columns X \$1,600.00 = \$ 6,400.00
Subtotal.....	\$ 45,284.52
Overhead @ 10%.....	\$ 4,528.45
Subtotal.....	\$ 49,812.97
Profit @ 5%.....	\$ 2,490.65
Subtotal.....	\$ 52,303.62
Bond @ 1.5%	\$ 784.55
TOTAL ADDITIONAL COST FOR THE ABOVE.....	\$ 53,088.17

Permit Fees and Design Drawings are Not Included in this proposal. If additional permit fees are required the Owner is to reimburse all permit fees.

Additional Time Requested for Change:

- **No time extension required if a Change Order is received no later than 30 November 2018.**

This proposal only encompasses the item(s) specifically outlined above and does not include any other items, whether stated or inferred, in any other documents. The terms set forth in this proposal shall have precedence over any other agreement and this proposal shall be included in any modification agreement.

Respectfully Submitted,



Christian Brisson
Project Manager



PEDRO FALCON CONTRACTORS, INC.

31160 Avenue C, Big Pine Key, FL 33043-4516
(305) 872-2200 - Fax (305) 872-2219
EC 13003416 / CGC 1507617
www.pedrofalcon.com

Request for Change Order

Date Submitted: 12/05/18

Project: Glynn Archer Gym

KW PO#: 087450

Change Order Request No: Nine

Description: Install a 6 mill vapor barrier on top of ground under the existing wood flooring. This includes Tyvek suits, duct tape, 6 mil fire retardant vapor barrier and incidentals.

Contractor's Work

Materials.....	\$715.95
Labor	\$ 2,376.00
Others.....	\$ 0.00
Subtotal.....	\$ 3,091.95
Overhead @ 10%.....	\$ 309.20
Subtotal.....	\$ 3,401.15
Profit @ 5%.....	\$ 170.06
Subtotal.....	\$ 3,571.20
Bond @ 1.5%	\$ 53.57
TOTAL ADDITIONAL COST FOR THE ABOVE.....	\$ 3,624.77

Permit Fees and Design Drawings are Not Included in this proposal. If additional permit fees are required the Owner is to reimburse all permit fees.

Additional Time Requested for Change:

- **No time extension required if a Change Order is received no later than 18 December 2018.**

This proposal only encompasses the item(s) specifically outlined above and does not include any other items, whether stated or inferred, in any other documents. The terms set forth in this proposal shall have precedence over any other agreement and this proposal shall be included in any modification agreement.

Respectfully Submitted,

A handwritten signature in black ink, appearing to read 'C. Brisson', with a long horizontal flourish extending to the right.

Christian Brisson
Project Manager



PEDRO FALCON CONTRACTORS, INC.

31160 Avenue C, Big Pine Key, FL 33043-4516
(305) 872-2200 - Fax (305) 872-2219
EC 13003416 / CGC 1507617
www.pedrofalcon.com

Request for Change Order

Date Submitted: 04-24-19

Project: Glynn Archer Gym
KW PO#: 087450

Change Order Request No: Ten - Concrete Column Repair and Additional Spalling Repairs

Mr. Howell,

After the demolition of the existing bleacher and other items shown on the Contract documents, it was discovered that additional spalling repairs was needed. The additional spalling repairs were reviewed and discussed with you, architect and structural engineer. These additional unforeseen spalling repairs were priced by the cubic feet since it is very difficult to know exactly how much concrete will have to be removed and replaced. Also, during the construction the concrete that encapsulate the three structural steel columns on the SOS side of the building had cracks. After further investigation with the Architect and yourself, it was decided to remove and replace this concrete from top to bottom on the three columns. This was estimated with a lump sum price.

Therefore, we have received the Change in Directive #4 and #5 for this additional work. Enclosed below are the two requests for change order that were submitted during the construction. One is a spreadsheet showing the location and quantities for the spalling that was repaired and the other is the lumps sum estimate for the three column repairs. All these repairs were performed in good faith and have been completed. Please provide a formal change order so we can get paid for the work that has been completed.

- 1) Concrete Column Repairs: \$53,088.17**
- 2) Spalling Repair: \$69,987.34**

Total Change Order Request: \$123,075.51

Respectfully Submitted,

A handwritten signature in black ink, appearing to be 'C. Brisson', written in a cursive style.

Christian Brisson
Project Manager

1030 UNITED STREET, KEY WEST, FL 33040		REPORT DATE	Per CCD #4	Per CF	
ALL NOT IN CONTRACT SPALLING REPAIRS TO DATE		3/25/2019	Horizontal Repairs at	\$ 1,478.37	
BUILDING INTERIOR			Vertical Repairs at	\$ 1,056.65	
LOCATION	CF PLACED OR ESTIMATED TO BE PLACED	% COMPLETE	MATERIAL USED TO DATE	REPAIR TYPE	COST
D2	2	100%	4 bags 211, 3 anodes, 1/4 Armatech	VERTICAL	\$ 2,113.30
E2	2	100%	4 bags 211, 4 annodes 1/4 armatec	VERTICAL	\$ 2,113.30
F2	3.5 SF X Unknown Depth	0%	N/A		\$ -
G2	4 SF X Unknown Depth	0%	N/A		\$ -
H2	2	100%	1/4 armatec, 4 bags 211	VERTICAL	\$ 2,113.30
I2	6.25 SF X Unknown Depth	0%	N/A		\$ -
J2	6	100%	10LF #8 bar,1 tube epoxy,1/2 armatec, 14 anodes, 12 bags sika 211	VERTICAL	\$ 6,339.90
K2	2	100%	1/4 armatech, 1 sheet plywood, 17.5 LF 2x4, 4 bags 211	VERTICAL	\$ 2,113.30
L2	4.5	100%	1/4 armatech, 8 bags 211, 1 bag 223	VERTICAL	\$ 4,754.93
M2	0.5	100%	1/4 armatech 1 bag 223	VERTICAL	\$ 528.33
N2	2.25	100%	4 anodes, 1/4 armatech, 4.5 bags sikadur 42	HORIZONTAL	\$ 3,326.33
O2	2.5 SF X Unknown Depth	0%	N/A		\$ -
P2	4	100%	8 bags sika 211, 1/2armatech, 9 anodes	VERTICAL	\$ 4,226.60
Multiple Locations	N/A	Ongoing	Armatech and Sika 211 and 223	HORIZONTAL AND VERTICAL	\$ 9,500.00
SUB TOTALS	52.25	\$			69,987.34
BUILDING EXTERIOR					
LOCATION	CF TO BE PLACED	% COMPLETE	MATERIAL USED TO DATE	REPAIR TYPE	PROJECTED COST
Q2	1.5 CF	0%			UNKNOWN
R2	1 CF	0%			UNKNOWN
B3	4 CF	0%			UNKNOWN
T2	1 CF	0%			UNKNOWN
U2	5 CF	0%			UNKNOWN
V2	.5 CF	0%			UNKNOWN
W2	.5 CF	0%			UNKNOWN
X2	.5 CF	0%			UNKNOWN
Y2	.5 CF	0%			UNKNOWN