



THE CITY OF KEY WEST

Post Office Box 1409 Key West, FL 33041-1409 (305) 809-3867

ADDENDUM # 1

ITB – 13-002

CONSTRUCT KEY WEST CEMETERY MAUSOLEUMS – CE 1003

December 21, 2012

To All Bidders,

The following changes and additions are hereby made a part of Project number CE 1003, Construct Key West Cemetery Mausoleums, as fully and completely as if the same were fully set forth therein:

1.) In the Scope of Work on page 66 Part 1 Item 1.1 Contractors Responsibilities please **delete:**

“A 7' -1 0" sidewalk shall be installed along the front of the crypts, and a 10' -0" sidewalk in front of the niches” and **replace with:**

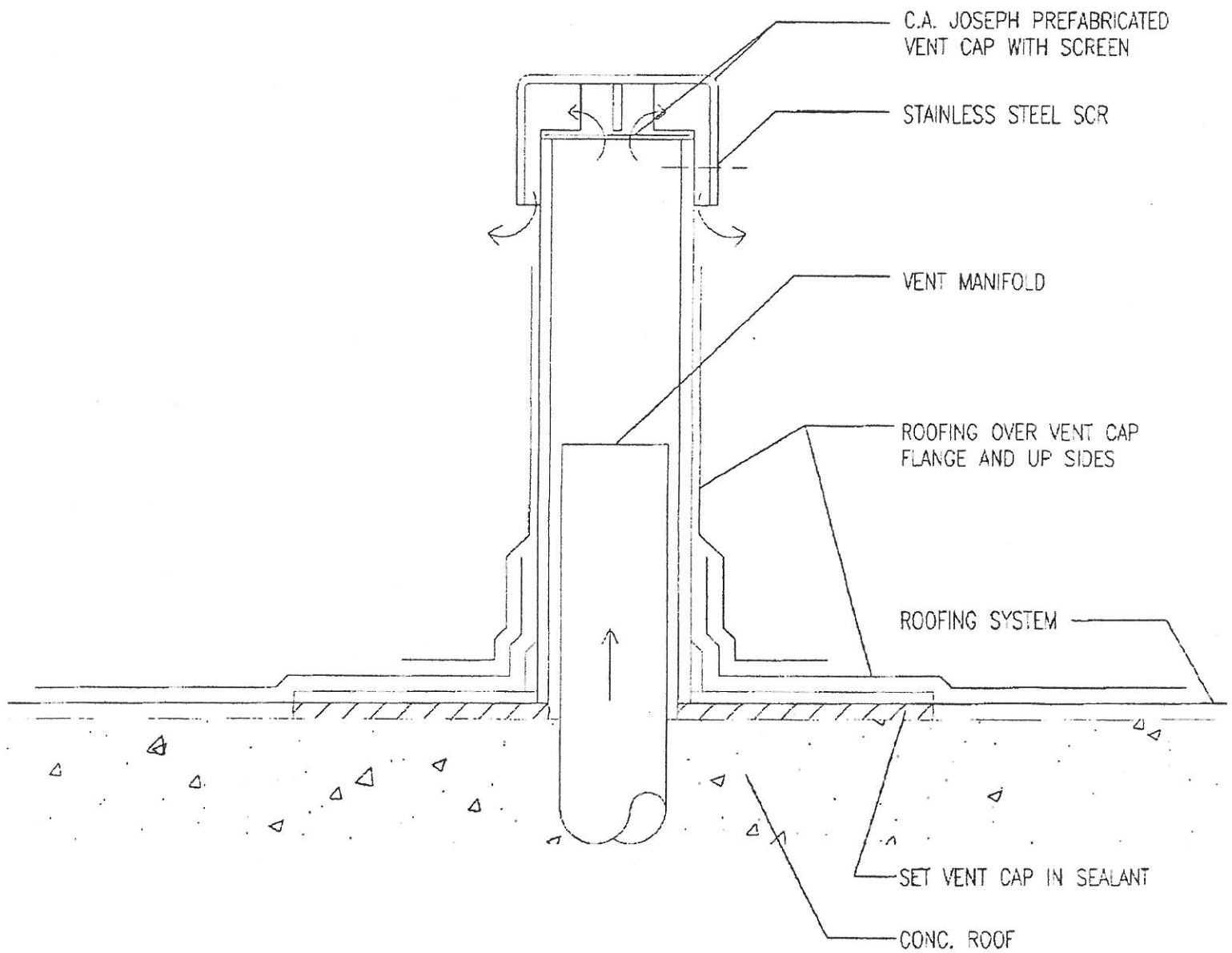
Install a 10 foot long x 5'8" wide sidewalk on the south side of the mausoleums

Install a 61 foot long (the total length of the structure) x 10 foot wide sidewalk

All sidewalks are to be 4" thick 3000 psi concrete with broom finish

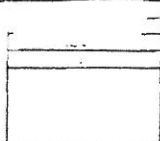
2.) Crypts shall include venting in accordance with the 2010 Florida Building Code

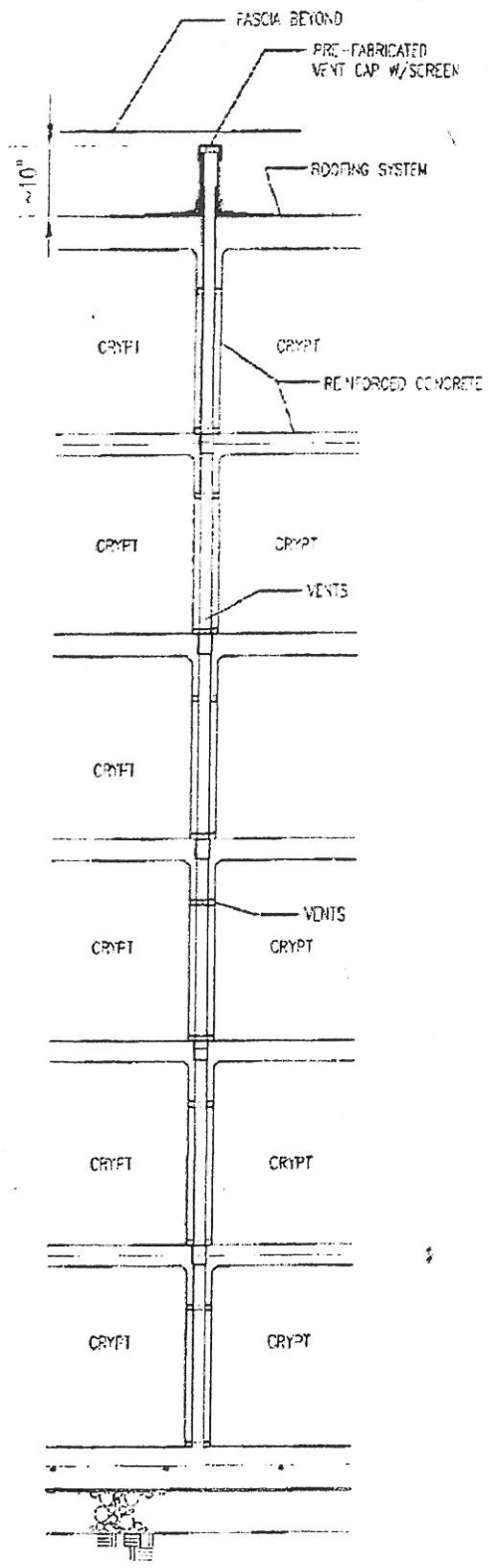
Please see two (2) attachments of Schematic Venting Diagrams for informational purposes:



SUBJECT:

CRYPT VENT DETAIL





TYPICAL DETAIL OF CRYPT VENTING

Mausoleums Detail For:	Wall Section	Sheet 1 / 1
---------------------------	-----------------	----------------

All Bidders shall acknowledge receipt and acceptance of this Addendum No. 1 by acknowledging Addendum in their proposal or by submitting the addendum with the bid package. Bids submitted without acknowledgement or without this Addendum may be considered non-responsive.

Signature

Name of Business