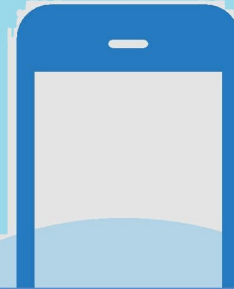




# FIBER OPTIC CABLE INSTALLATION WITHIN KEY WEST RIGHT OF WAY



# Cellular Network Evolution



**1G**

**2G**

**3G**

**4G**

**5G**

0 data transfer

up to 40 kbps

up to 21.6 Mbps

up to 1 Gbps

up to 20 Gbps

1981

1991

1998

2008

2018

No On-board Storage

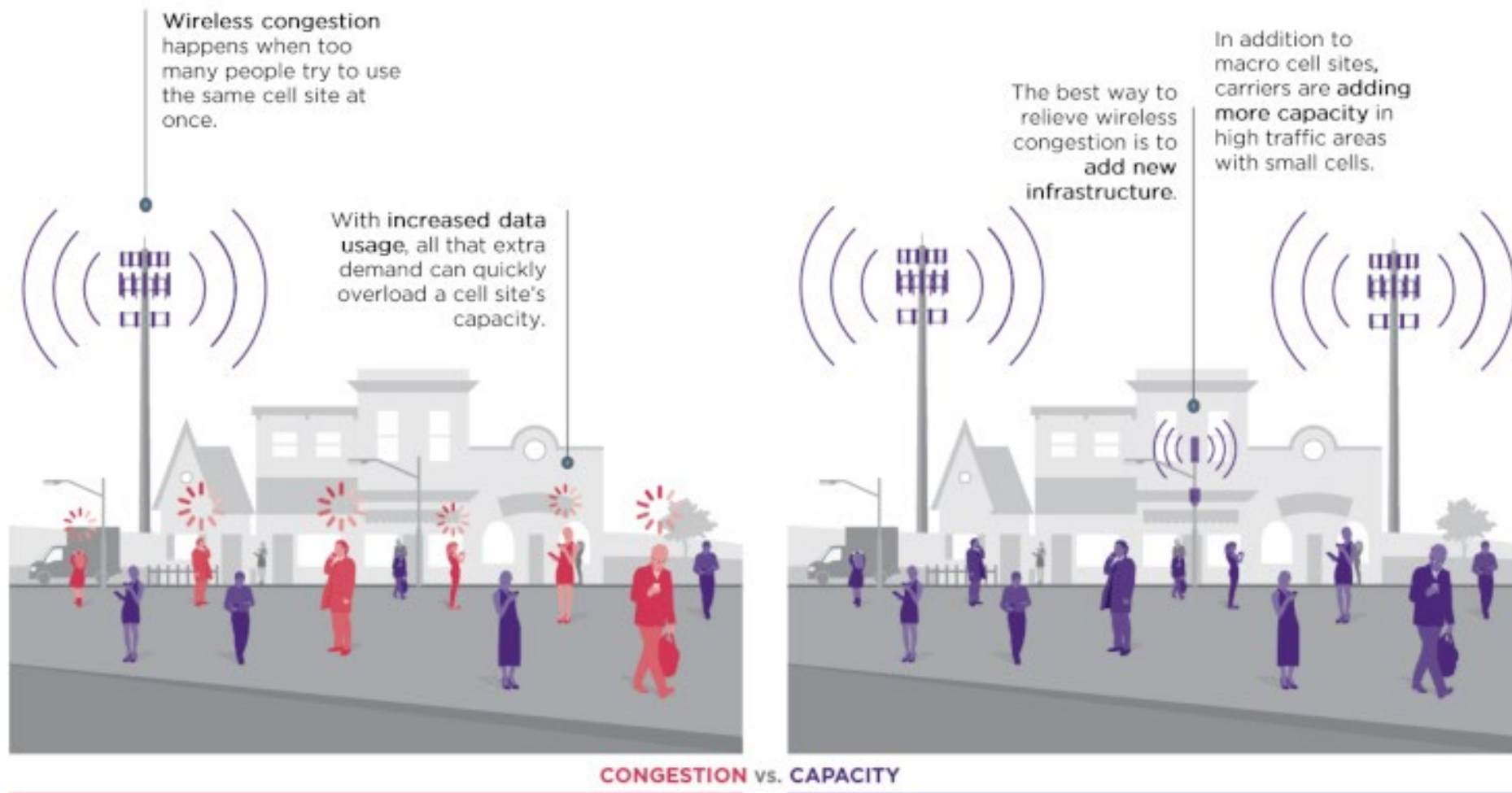
No On-board Storage

≤ 256MB Memory  
≤ 16GB Storage

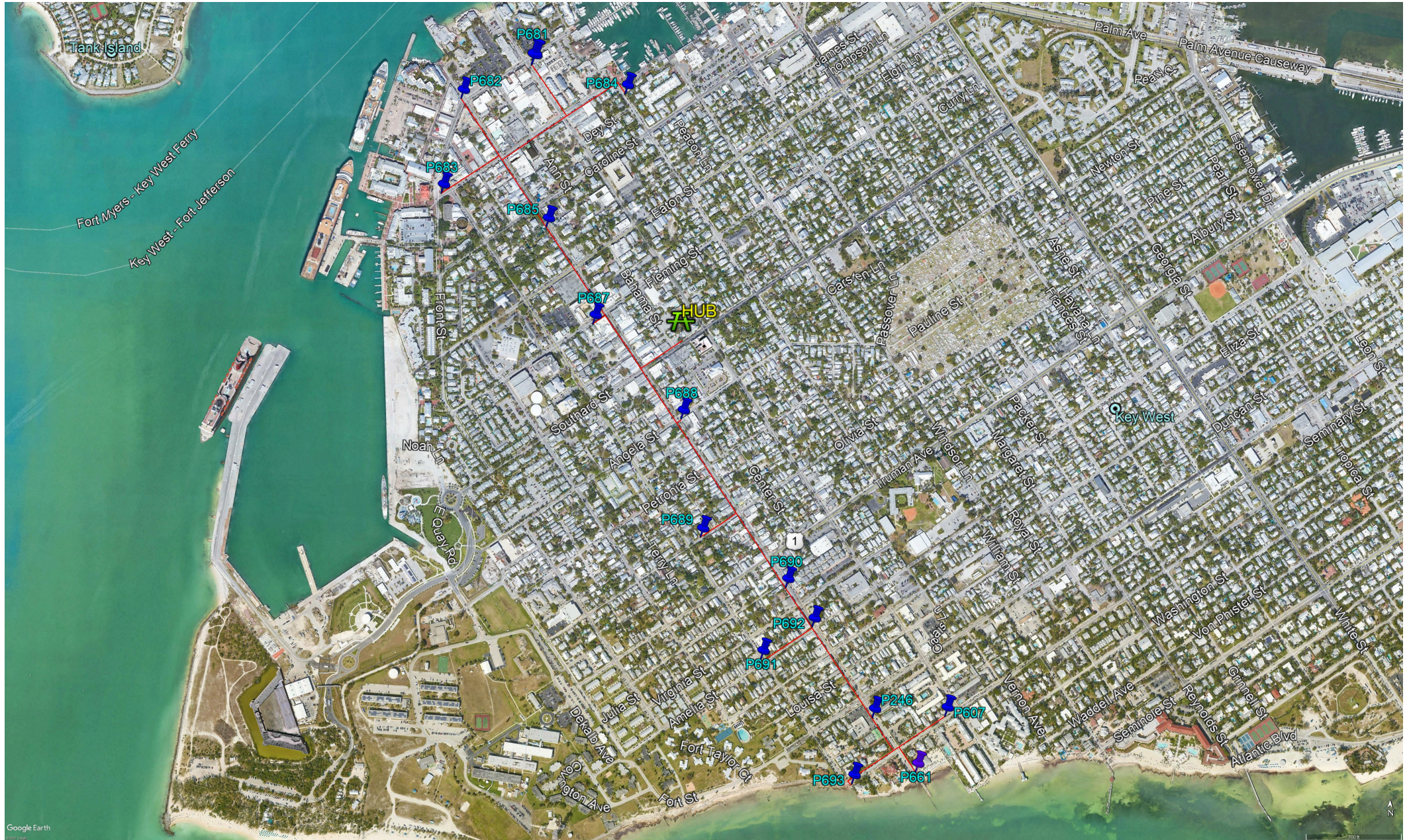
≤ 6GB Memory  
≤ 256GB Storage

> 8GB Memory  
>512GB Storage

# Increasing Data Consumption is Driving the Need for Denser Networks of Towers and Small Cells



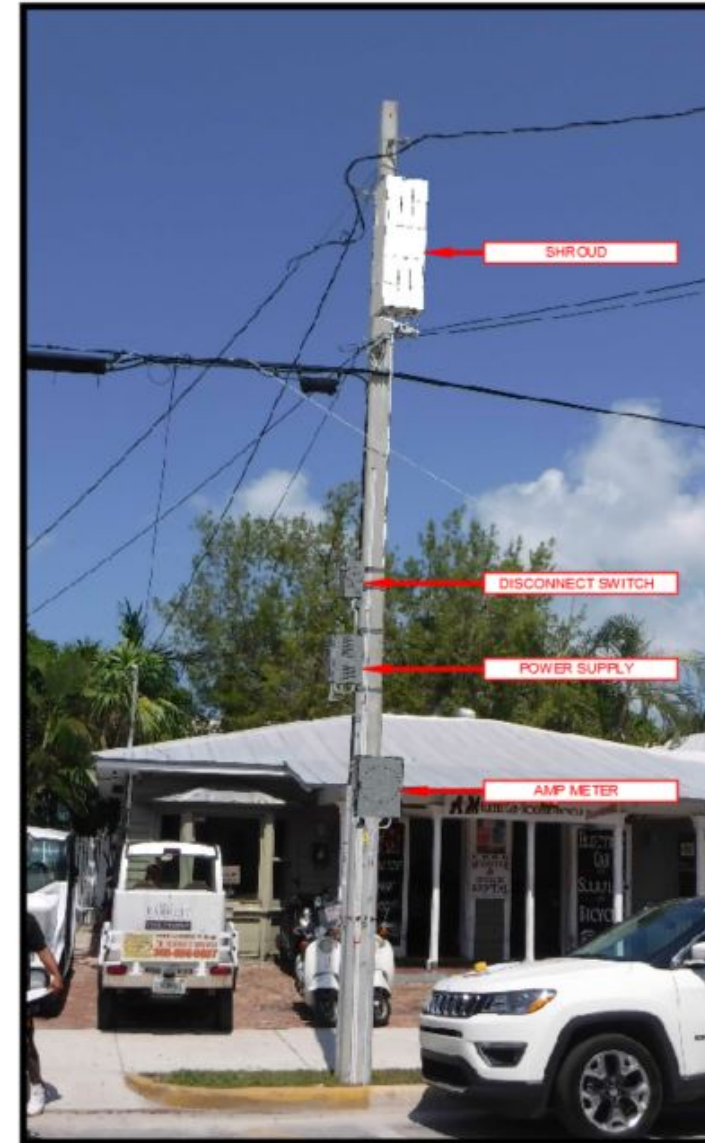
# ROUTE FOR HOTWIRE FIBER TO FEED (15) 5G SITES



# PHOTOSIM 5G SITE ON KEYS ENERGY DROP POLE



CURRENT VIEW-From Southeast looking Northwest  
SCALE = NTS



PROPOSED VIEW-From Southeast looking Northwest  
SCALE = NTS

# PHOTOSIM 5G SITE ON KEYS ENERGY DISTRIBUTION POLE

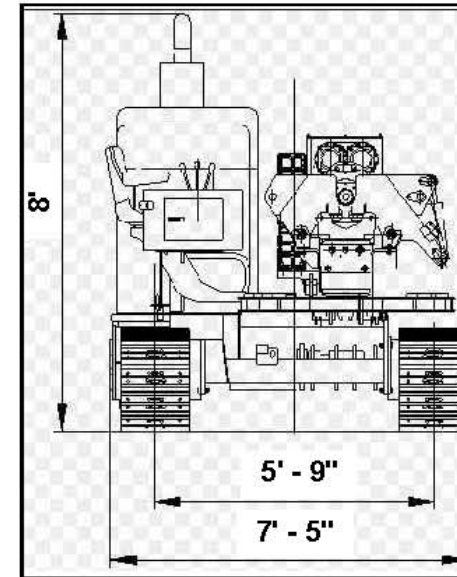
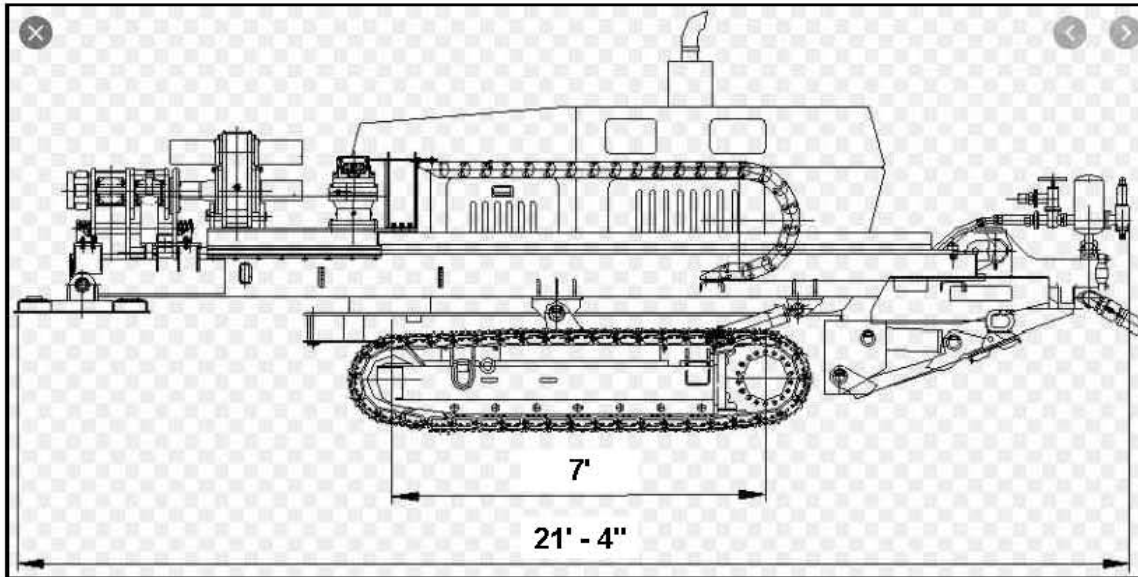


CURRENT VIEW-From Northwest looking Southeast  
SCALE = NTS

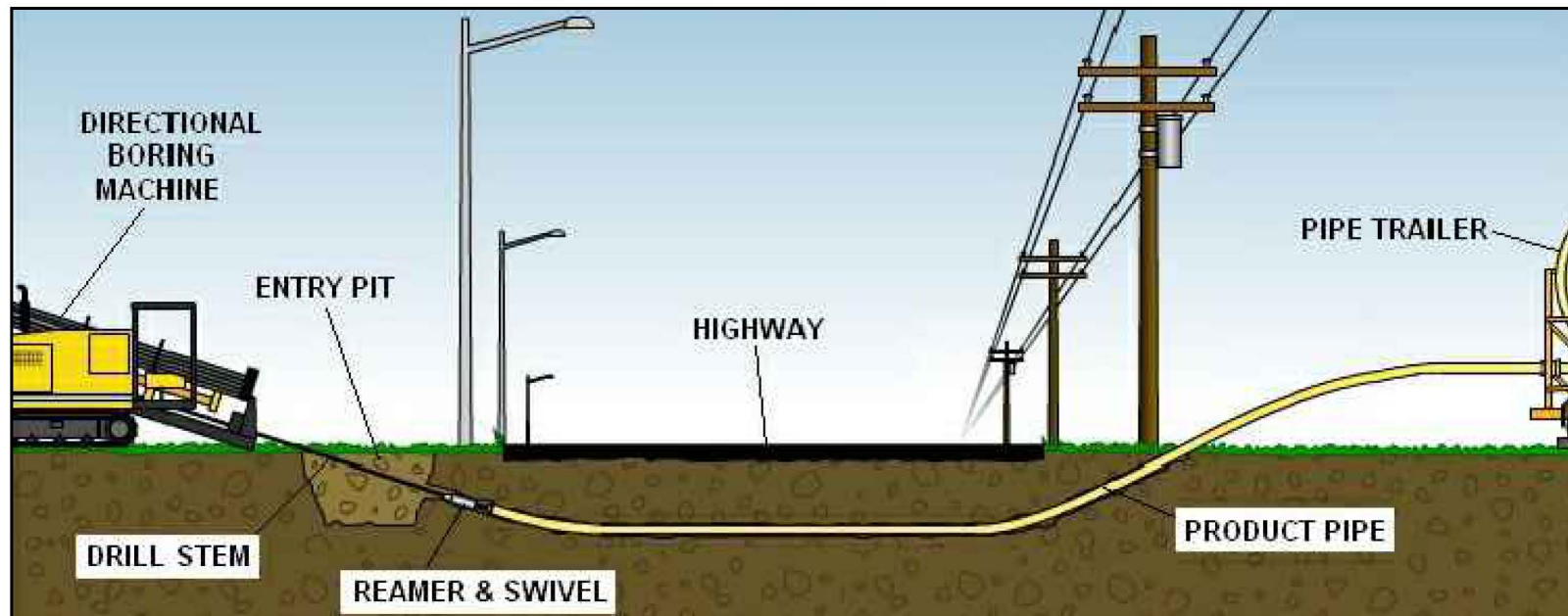
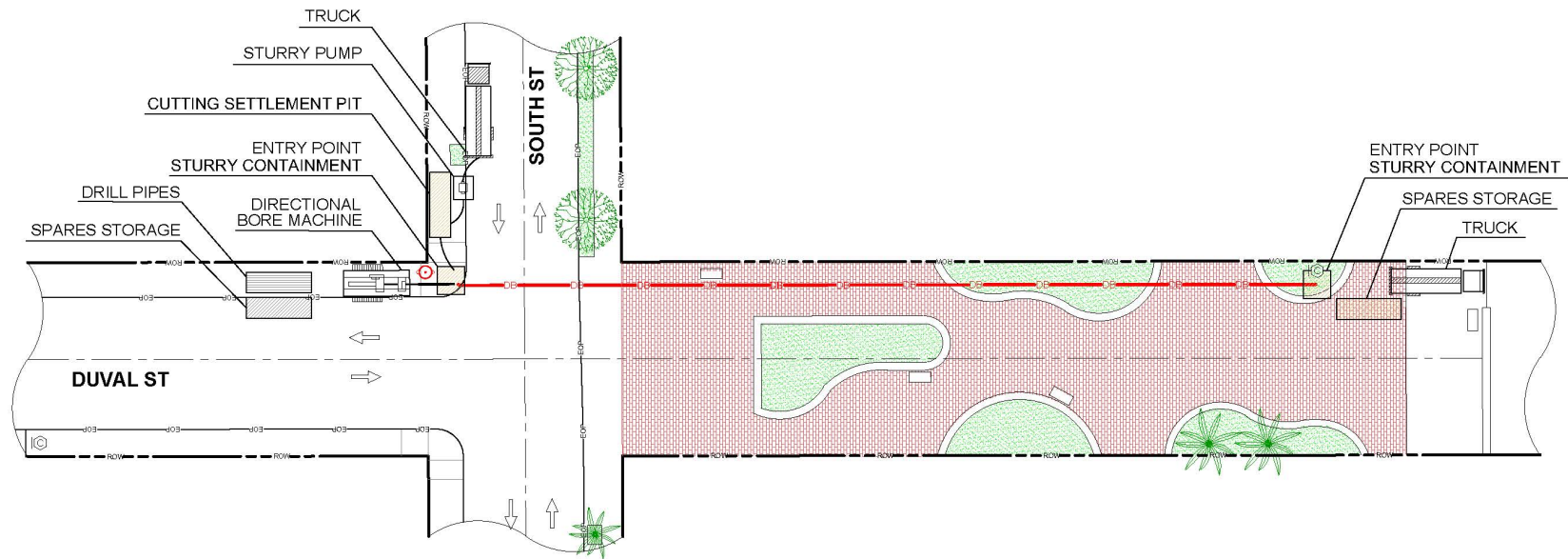


PROPOSED VIEW-From Northwest looking Southeast  
SCALE = NTS

# DIRECTIONAL DRILLING RIG

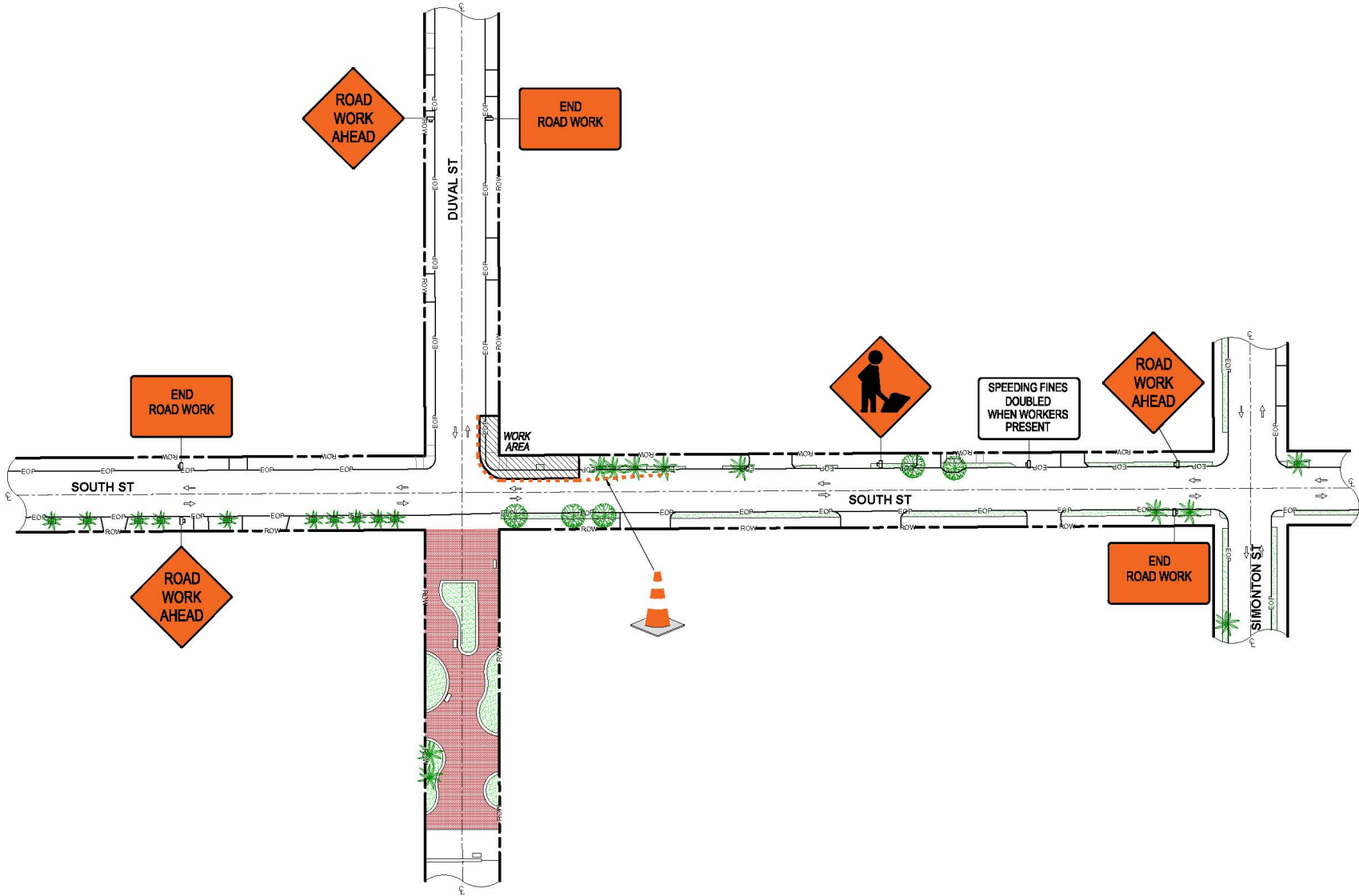


# DIRECTIONAL DRILLING RIG & ACCESSORIES SETUP EXAMPLE

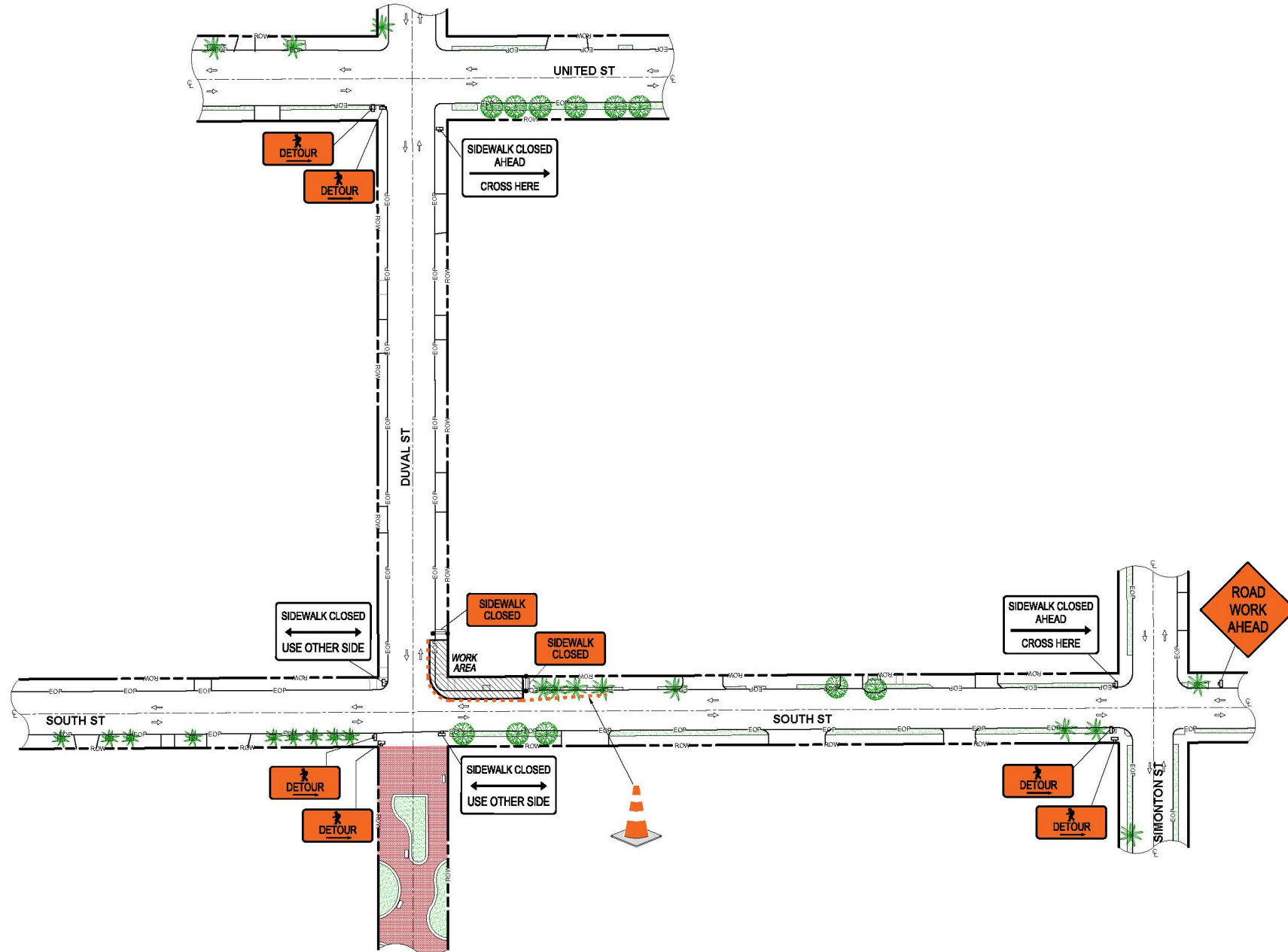




# MAINTENANCE OF VEHICULAR TRAFFIC PLAN EXAMPLE



# MAINTENANCE OF PEDESTRIAN TRAFFIC PLAN EXAMPLE



# LEGAL AUTHORITIES

- Small Cell facilities in the right of way are authorized and regulated under the 2020 Florida Statute **337.401 Use of right-of-way for utilities subject to regulation; permit; fees**

[http://www.leg.state.fl.us/statutes/index.cfm?App\\_mode=Display\\_Statute&URL=0300-0399/0337/Sections/0337.401.html](http://www.leg.state.fl.us/statutes/index.cfm?App_mode=Display_Statute&URL=0300-0399/0337/Sections/0337.401.html)

- Hotwire Communications has a Florida cable franchise # CV-07-0005, that authorizes and regulate Hotwire Communications to install facilities in the right of way as regulated under 337.401 above

<http://search.sunbiz.org/Inquiry/CableFranchiseSearch/SearchResultDetail/cable-cv070005-553b59dc-ac75-4193-b4dd-e3325c1e41f1?inquirytype=CableFranchiseName&directionType=Initial&searchTerm=hotwire>

## WORKING TOGETHER

- Hotwire is in negotiations to work with other carriers to minimize the damage to the Public Right of way and existing businesses and/or residential units.
- Currently Hotwire is in the process of finalizing contract details with “Verizon Wireless” as well as “Crown Castle Inc” in addition to the original T-Mobile contract that originate this project.