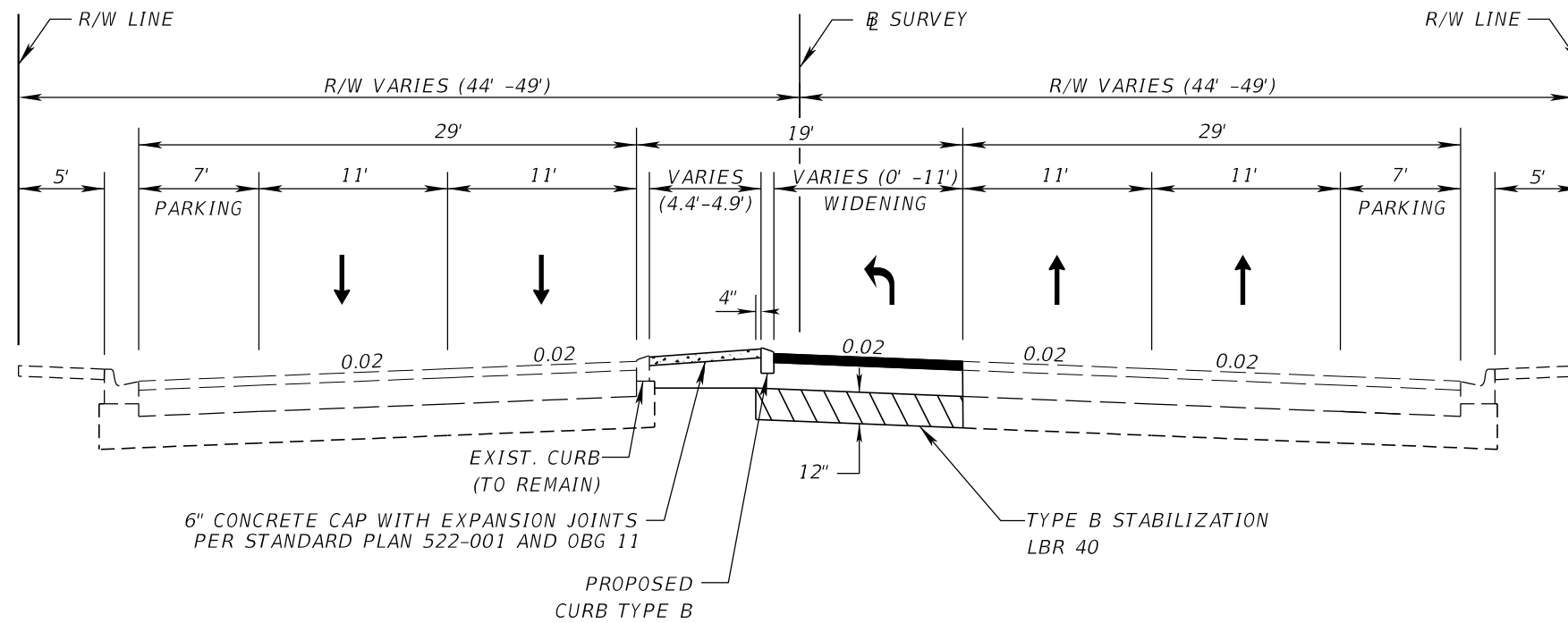


SUMMARY OF PAY ITEMS			
PAY ITEM NO.	PAY ITEM DESCRIPTION	UNIT	PROJECT QUANTITY
ROADWAY PAY ITEMS			
101-1	MOBILIZATION	LS	1
102-1	MAINTENANCE OF TRAFFIC	LS	1
102-60	WORK ZONE SIGN	ED	1560
102-74-1	CHANNELIZING DEVICE-TYPES I, II,DI, VP, DRUM, OR LCD	ED	1800
102-74-8	CHANNELIZING DEVICE-PEDESTRIAN LCD	FD	1050
102-76	ARROW BOARD / ADVANCE WARNING ARROW PANEL	ED	75
102-99	PORTABLE CHANGEABLE MESSAGE SIGN TEMPORARY	ED	148
102-104	TEMPORARY SIGNALIZATION AND MAINTENANCE, INTERSECTION	ED	60
102-115	TYPE III BARRICADE	ED	148
104-18	INLET PROTECTION	EA	3
107-1	LITTER REMOVAL	AC	0.07
107-2	MOWING	AC	0.19
110-1-1	CLEARING & GRUBBING	LS/AC	0.05
110-4-10	REMOVAL OF EXISTING CONCRETE	SY	70
120-1	REGULAR EXCAVATION	CY	90.0
0160-4	TYPE B STABILIZATION	SY	137
285-711	OPTIONAL BASE, BASE GROUP 11	SY	185
0334-1-13	SUPERPAVE ASPHALTIC CONC, TRAFFIC C	TN	19.8
425-5	MANHOLE, ADJUST	EA	1
520-1-10	CONCRETE CURB & GUTTER, TYPE F	LF	18
520-2-2	CONCRETE CURB, TYPE B	LF	148
522-1	CONCRETE SIDEWALK AND DRIVEWAYS, 4" THICK	SY	51
522-2	CONCRETE SIDEWALK AND DRIVEWAYS, 6" THICK	SY	56
527-2	DETECTABLE WARNINGS	SF	21
570-1-2	PERFORMANCE TURF, SOD	SY	24
SIGNING & PAVEMENT MARKINGS PAY ITEMS			
710-90	PAINTED PAVEMENT MARKINGS, FINAL SURFACE	LS	1
711-11-123	THERMOPLASTIC, STANDARD, WHITE, SOLID, 12" FOR CROSSWALK AND ROUNDABOUT	LF	410
711-11-125	THERMOPLASTIC, STANDARD, WHITE, SOLID, 24" FOR STOP LINE AND CROSSWALK	LF	409
711-11-170	THERMOPLASTIC, WHITE, ARROW	EA	2
711-16-101	THERMOPLASTIC, STANDARD-OTHER SURFACES, WHITE, SOLID, 6"	GM	0.032
711-16-201	THERMOPLASTIC, STANDARD-OTHER SURFACES, YELLOW, SOLID, 6"	GM	0.045
SIGNALIZATION PAY ITEMS			
630-2-12	CONDUIT, FURNISH & INSTALL, DIRECTIONAL BORE	LF	829
630-2-14	CONDUIT, FURNISH & INSTALL, ABOVEGROUND	LF	35
632-7-1	SIGNAL CABLE- NEW OR RECONSTRUCTED INTERSECTION, FURNISH & INSTALL	PI	2
635-2-11	PULL & SPLICE BOX, F&I, 13" x 24" COVER SIZE	EA	23
646-1-11	ALUMINUM SIGNALS POLE, PEDESTAL	EA	9
653-1-11	PEDESTRIAN SIGNAL, FURNISH & INSTALL LED COUNTDOWN, 1 WAY	AS	12
653-1-12	PEDESTRIAN SIGNAL, FURNISH & INSTALL LED COUNTDOWN, 2 WAY	AS	1
660-1-109	LOOP DETECTOR INDUCTIVE, F&I, TYPE 9	EA	7
660-2-106	LOOP ASSEMBLY, F&I, TYPE F	AS	8
665-1-12	PEDESTRIAN DETECTOR, FURNISH & INSTALL, ACCESSIBLE	EA	10
670-5-400	TRAFFIC CONTROLLER ASSEMBLY, MODIFY	AS	2

REVISIONS				ERIK ALEXANDER ECHEZABAL, P.E. P.E. LICENSE NUMBER 82215 CHOICE ENGINEERING CONSULTANTS, INC. 12855 SW 132nd STREET, SUITE 200 MIAMI, FLORIDA 33186 CERTIFICATE OF AUTHORIZATION 31116	CITY OF KEY WEST FLORIDA INTERSECTION OF FLAGLER AVE AT FIRST ST / BERTHA ST. AND KENNEDY DR. SIGNAL IMPROVEMENTS	SUMMARY OF PAY ITEMS	SHEET NO.
DATE	DESCRIPTION	DATE	DESCRIPTION				2



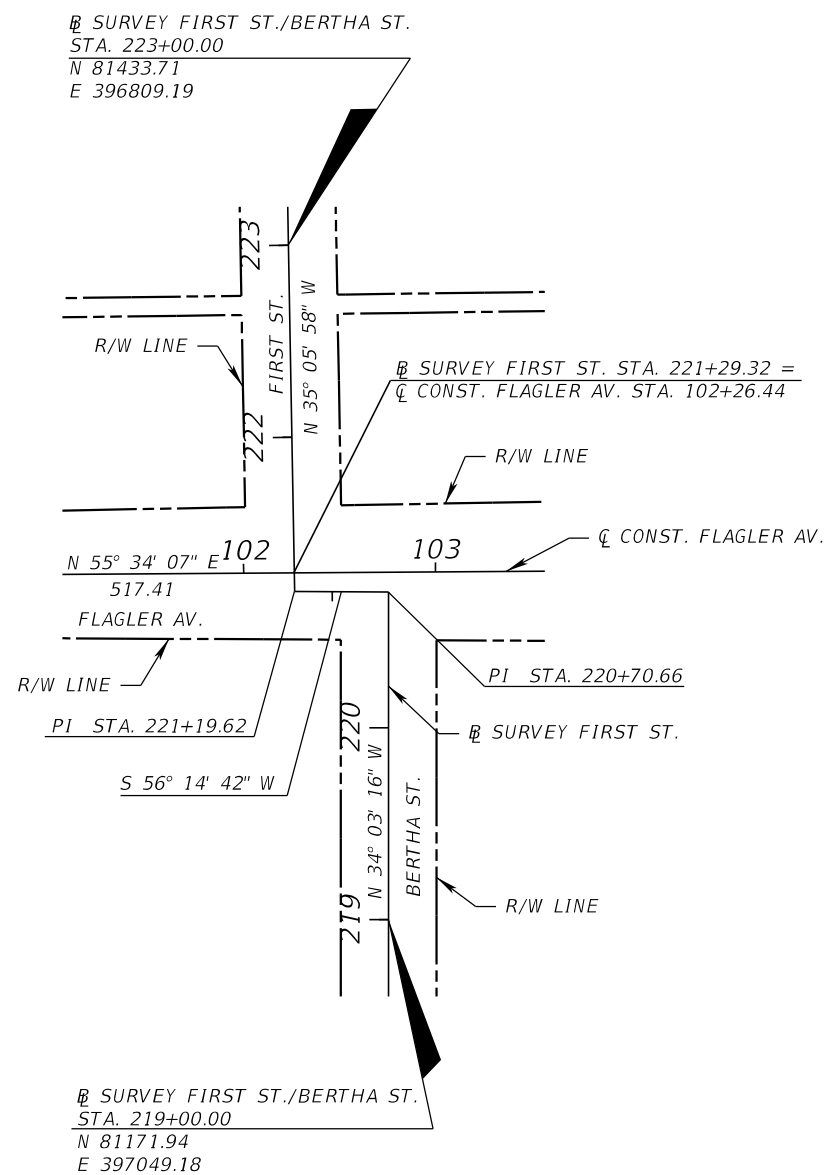
TYPICAL SECTION
FLAGLER AV. WEST OF KENNEDY DR.
STA. 00+20.00 TO STA. 01+66.68

WIDENING

TYPE B STABILIZATION LBR 40,
 OPTIONAL BASE GROUP 11 WITH
 TYPE SP STRUCTURAL COURSE (TRAFFIC C) (3")

POSTED SPEED = 30 MPH
 DESIGN SPEED = 30 MPH

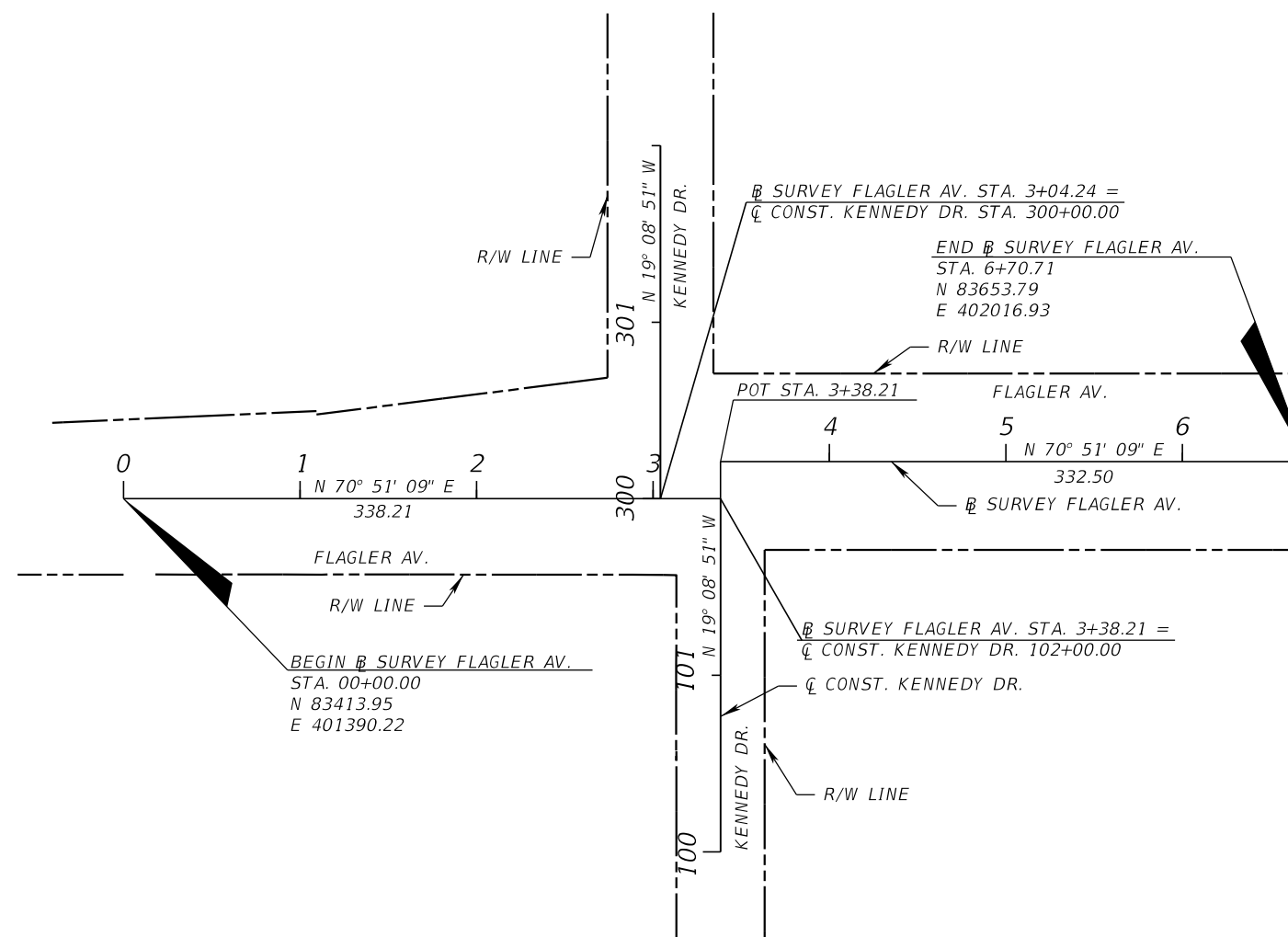
REVISIONS				ERIK ALEXANDER ECHEZABAL, P.E. P.E. LICENSE NUMBER 82215 CHOICE ENGINEERING CONSULTANTS, INC. 12855 SW 132nd STREET, SUITE 200 MIAMI, FLORIDA 33186 CERTIFICATE OF AUTHORIZATION 31116	CITY OF KEY WEST FLORIDA INTERSECTION OF FLAGLER AVE AT FIRST ST / BERTHA ST. AND KENNEDY DR. SIGNAL IMPROVEMENTS	TYPICAL SECTION	SHEET NO.
DATE	DESCRIPTION	DATE	DESCRIPTION				3



INTERSECTION OF FLAGLER AV. AND FIRST ST. / BERTHA ST.

NOTES:

- 1. SURVEY INFORMATION OBTAINED FROM FDOT PROJECT ID: 441959-1-54-01



INTERSECTION OF FLAGLER AV. AND KENNEDY DR.

REVISIONS				ERIK ALEXANDER ECHEZABAL, P.E. P.E. LICENSE NUMBER 82215 CHOICE ENGINEERING CONSULTANTS, INC. 12855 SW 132nd STREET, SUITE 200 MIAMI, FLORIDA 33186 CERTIFICATE OF AUTHORIZATION 31116	CITY OF KEY WEST FLORIDA INTERSECTION OF FLAGLER AVE AT FIRST ST / BERTHA ST. AND KENNEDY DR. SIGNAL IMPROVEMENTS	PROJECT CONTROL	SHEET NO.
DATE	DESCRIPTION	DATE	DESCRIPTION				4

GENERAL NOTES

=====

1. ALL STATIONS AND OFFSETS ARE REFERENCED TO BASELINE OF CONSTRUCTION.
2. THE FINISHED ROADWAY SECTION SHALL BE SMOOTH AND SET TO DRAIN.
3. EXISTING SECTION CORNERS AND 1/4 SECTION CORNERS, AND OTHER LAND MARKERS OR MONUMENTS LOCATED WITHIN PROPOSED CONSTRUCTION ARE TO BE REFERENCED BY THE CONTRACTOR PRIOR TO CONSTRUCTION AND RESET AFTER CONSTRUCTION, IF DAMAGED, USING A REGISTERED LAND SURVEYOR LICENSED IN THE STATE FLORIDA.
4. B.M. DATA IS NATIONAL GEODETIC VERTICAL DATUM OF 1929 (NGVD-'29).
5. ANY NGVD - 1929 MONUMENT WITHIN THE LIMITS OF CONSTRUCTION IS TO BE PROTECTED. IF IN DANGER OF DAMAGED, NOTIFY:

 GEODETIC INFORMATION CENTER
 ATTN: MARK MAINTENANCE SECTION N/CG-162
 6001 EXECUTIVE BLVD.
 ROCKVILLE, MARYLAND 20852
 TELEPHONE NO. (301) 443-8319
6. THE EXACT LOCATIONS OF PROPOSED SWALES, BACK SLOPE LINES AND LIMITS OF CONSTRUCTION WILL BE IN ACCORDANCE WITH THE PLANS UNLESS OTHERWISE DIRECTED BY THE ENGINEER.
7. CONTRACTOR SHALL ADJUST ALL IMPACTED UTILITY LIDS AND COVERS AS SHOWN IN PLANS TO FINISHED GRADE AS REQUIRED. ADJUSTMENTS TO BE INCLUDED IN THE CONTRACTOR'S BID.
8. ALL DISTURBED R/W SHALL BE SODDED. ALL LANDSCAPE DISTURBED BY CONSTRUCTION SHALL BE REPLACED IN KIND.
9. THE CONTRACTOR WILL RESTORE ALL AREAS DISTURBED BY THIS CONSTRUCTION, INCLUDING LANDSCAPED AREAS, TO A CONDITION EQUAL TO, OR BETTER THAN THAT NOW EXISTING.
10. ITEMS IN CONFLICT WITH DESIGN SUCH AS EXISTING CURBS AND GUTTERS, SIDEWALKS, DRAINAGE STRUCTURES, PAVEMENT AND BASE AND EXCESS EXCAVATIONS ARE TO BE REMOVED BY THE CONTRACTOR AND DISPOSED OF IN A LEGAL AND PROPER MANNER AWAY FROM THE JOB SITE AT THE END OF EACH WORK DAY, AT THE CONTRACTOR'S EXPENSE UNLESS THE ITEMS ARE TO BE REUSED ON THE PROJECT.
11. THE CONTRACTOR SHALL PROVIDE 30-DAY WRITTEN NOTICE PRIOR TO REMOVAL OF ANY EXISTING LANDSCAPING, FENCING, ETC. LOCATED WITHIN CITY RIGHT-OF-WAY. SHOULD THE MATERIAL NOT BE REMOVED WITHIN THE 30-DAY PERIOD, THE CONTRACTOR SHALL REMOVE AND DISPOSE OF THE ELEMENTS IN A LEGAL AND PROPER MANNER.
12. THE MAINTENANCE OF TRAFFIC FOR THIS PROJECT SHALL BE IN ACCORDANCE WITH THE APPLICABLE FDOT INDEX NUMBERS (102-XXX SERIES) AND THESE DOCUMENTS; THE MANUAL ON UNIFORM TRAFFIC CONTROL DEVICES FOR STREETS AND HIGHWAYS (U.S. DEPARTMENT OF TRANSPORTATION, FHWA), SHALL BE FOLLOWED IN THE DESIGN, APPLICATION, INSTALLATION, MAINTENANCE AND REMOVAL OF ALL TRAFFIC CONTROL DEVICES, WARNING DEVICES AND BARRIERS NECESSARY TO PROTECT THE PUBLIC AND WORKMEN FROM HAZARDS WITHIN THE PROJECT LIMITS. PEDESTRIAN AND VEHICULAR TRAFFIC SHALL BE MAINTAINED AND PROTECTED AT ALL TIMES. THE CONTRACTOR SHALL ADJUST SIGNAL TIMING AS NEEDED TO MITIGATE TRAFFIC IMPACTS ASSOCIATED WITH LANE CLOSURES. SIGNAL TIMING CHANGES SHALL BE SUBMITTED TO THE CITY OF KEY WEST FOR APPROVAL BEFORE BEING IMPLEMENTED.
13. THE LOCATION OF EXISTING UTILITIES SHOWN ARE APPROXIMATE ONLY; THE EXACT LOCATION SHALL BE DETERMINED BY THE CONTRACTOR DURING CONSTRUCTION. RELOCATION OF UTILITIES SHALL BE COORDINATED WITH UTILITY COMPANIES AFTER IDENTIFICATION OF CONFLICT BY CONTRACTOR. CONTRACTOR SHALL NOTIFY ENGINEER IN ADVANCE BEFORE ANY RELOCATION.
14. SPECIAL ATTENTION IS DIRECTED TO THE FACT THAT PORTIONS OF SOME DRAINAGE STRUCTURES EXTEND INTO OR ARE NEAR THE STABILIZED PORTION OF THE ROAD BED AND EXTREME CAUTION WILL BE NECESSARY IN STABILIZATION OPERATIONS AT THESE LOCATIONS.
15. THE UTILITY COMPANIES SHALL BE NOTIFIED BY THE CONTRACTOR 48 HOURS IN ADVANCE OF ANY EXCAVATION INVOLVING THEIR UTILITIES SO THAT COMPANY REPRESENTATIVE CAN BE PRESENT.
16. THE CONTRACTOR IS TO USE CAUTION WHEN WORKING IN OR AROUND AREAS OF OVERHEAD TRANSMISSION LINES, AND UNDERGROUND UTILITIES.
17. PRIOR TO COMMENCEMENT OF ANY EXCAVATION, THE CONTRACTOR SHALL COMPLY WITH CHAPTER 556 OF FLORIDA STATUTES, UNDERGROUND FACILITY DAMAGE PREVENTION AND SAFETY.
18. THE CONTRACTOR IS RESPONSIBLE FOR THE PROTECTION OF ALL UTILITIES TO REMAIN IN PLACE.
19. THE CONTRACTOR SHALL CALL SUNSHINE (1-800-432-4770) FOR FIELD LOCATIONS 48 HOURS BEFORE DIGGING NEAR UNDERGROUND UTILITIES.
20. KNOWN UTILITIES:

COMCAST CABLE	KYLE NICOLAY	(305) 433-0880
KEYS ENERGY SERVICES	MICHAEL ALFONSO	(305) 295-1047
FLORIDA KEYS AQUEDUCT AUTHORITY	MARNIE WALTERSON	(305) 295-2154
KEY WEST PIPELINE COMPANY OPERATIONS MANAGEMENT	DAN SILVESTRO	(305) 294-4812
INTERNATIONAL INC.	KELLY KOENIG	(305) 292-5100
AT&T/DISTRIBUTION	DINO FARRUGGIO	(561) 683-2729
21. DRIVEWAYS AND WALKWAYS THAT ARE DISTURBED ARE TO BE RECONSTRUCTED TO THEIR ORIGINAL OR BETTER CONDITIONS, UNLESS OTHERWISE STATED ON PLANS. TRANSITIONS SHALL BE NO GREATER THAN 5%.
22. STAGING AND MATERIAL STORAGE SHALL NOT BE CONDUCTED ON ABUTTING PRIVATE PROPERTY WITHOUT WRITTEN APPROVAL FROM THE PROPERTY OWNER AND SUBSEQUENT APPROVAL OF CITY OF KEY WEST.
23. THE CONTRACTOR SHALL USE MANUAL EXCAVATION IN PROXIMITY TO UTILITIES.
24. THE CONTRACTOR IS RESPONSIBLE FOR PROTECTION OF ABUTTING PROPERTIES. ALL WORK SHALL BE CONDUCTED USING LOW VIBRATORY METHODS AND USING HAND TOOLS. CARE SHALL BE TAKEN TO AVOID DAMAGE TO PRIVATE PROPERTIES AND BUILDINGS. THE CONTRACTOR IS RESPONSIBLE FOR RESTORATION AND REPAIR FOR ANY DAMAGE. ALL DAMAGE CAUSED TO PRIVATE PROPERTIES SHALL REPAIRED TO THEIR ORIGINAL OR BETTER CONDITION.
25. EROSION CONTROL MEASURES SHALL BE TAKEN BY CONTRACTOR DURING CONSTRUCTION AS PER FDOT STANDARDS:

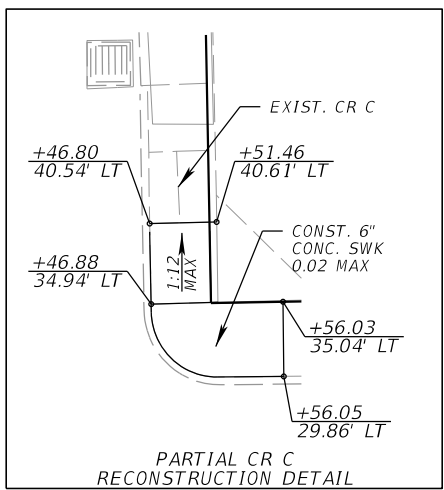
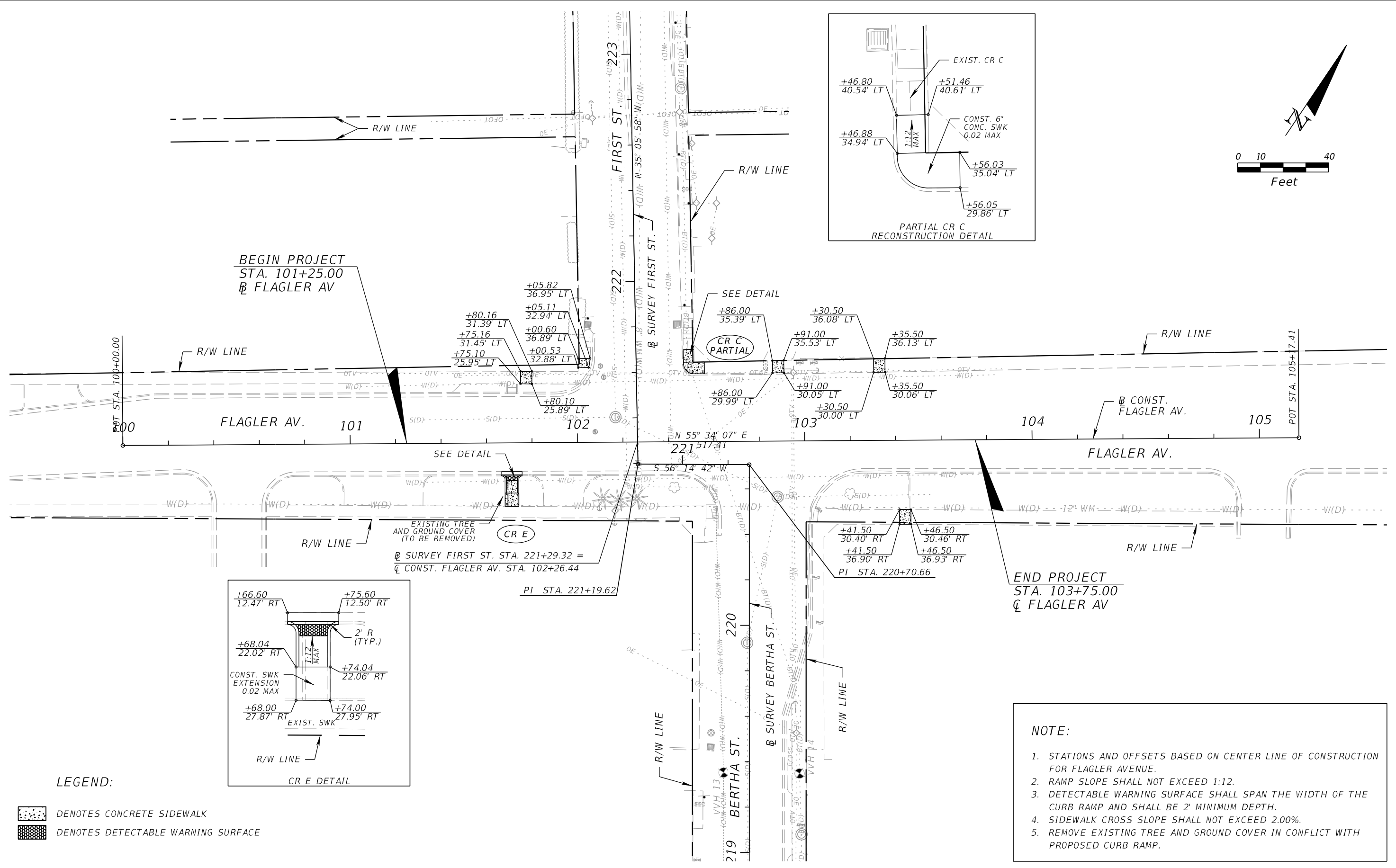
 A. SILT FENCE SHALL BE INSTALLED ALONG THE ENTIRE PERIMETER OF THE PROJECT ADJACENT TO ANY SOIL DISTURBING ACTIVITIES.

 B. STAKED TURBIDITY BARRIER SHALL BE INSTALLED UPSTREAM OF ANY MINOR CROSS DRAIN IMPROVEMENTS.

 C. ALL DRAINAGE STRUCTURES ARE TO BE PROTECTED DURING CONSTRUCTION PER FOOT STANDARDS.

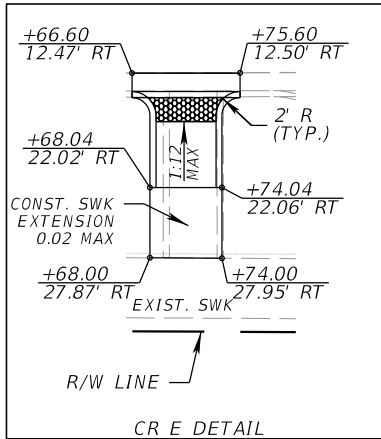
 D. ALL FENCING, GRADING, SIGNING AND SODDING SHALL BE MAINTAINED DURING THE CONTRACT LIFE. ALL DAMAGED WORK SHALL BE RESTORED AT NO COST TO THE CITY.
26. ALL STAGING ACTIVITIES SHALL BE COORDINATED BY THE CONTRACTOR WITH THE CITY OF KEY WEST PRIOR TO BEGINNING CONSTRUCTION.

REVISIONS				ERIK ALEXANDER ECHEZABAL, P.E. P.E. LICENSE NUMBER 82215 CHOICE ENGINEERING CONSULTANTS, INC. 12855 SW 132nd STREET, SUITE 200 MIAMI, FLORIDA 33186 CERTIFICATE OF AUTHORIZATION 31116	CITY OF KEY WEST FLORIDA <small>INTERSECTION OF FLAGLER AVE AT FIRST ST / BERTHA ST. AND KENNEDY DR. SIGNAL IMPROVEMENTS</small>	GENERAL NOTES	SHEET NO.
DATE	DESCRIPTION	DATE	DESCRIPTION				5



BEGIN PROJECT
 STA. 101+25.00
 @ FLAGLER AV

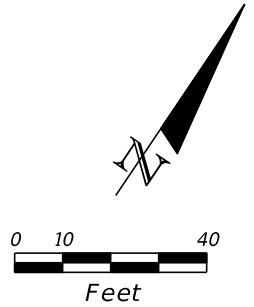
END PROJECT
 STA. 103+75.00
 @ FLAGLER AV



LEGEND:

- DENOTES CONCRETE SIDEWALK
- DENOTES DETECTABLE WARNING SURFACE

- NOTE:
1. STATIONS AND OFFSETS BASED ON CENTER LINE OF CONSTRUCTION FOR FLAGLER AVENUE.
 2. RAMP SLOPE SHALL NOT EXCEED 1:12.
 3. DETECTABLE WARNING SURFACE SHALL SPAN THE WIDTH OF THE CURB RAMP AND SHALL BE 2' MINIMUM DEPTH.
 4. SIDEWALK CROSS SLOPE SHALL NOT EXCEED 2.00%.
 5. REMOVE EXISTING TREE AND GROUND COVER IN CONFLICT WITH PROPOSED CURB RAMP.



REVISIONS			
DATE	DESCRIPTION	DATE	DESCRIPTION

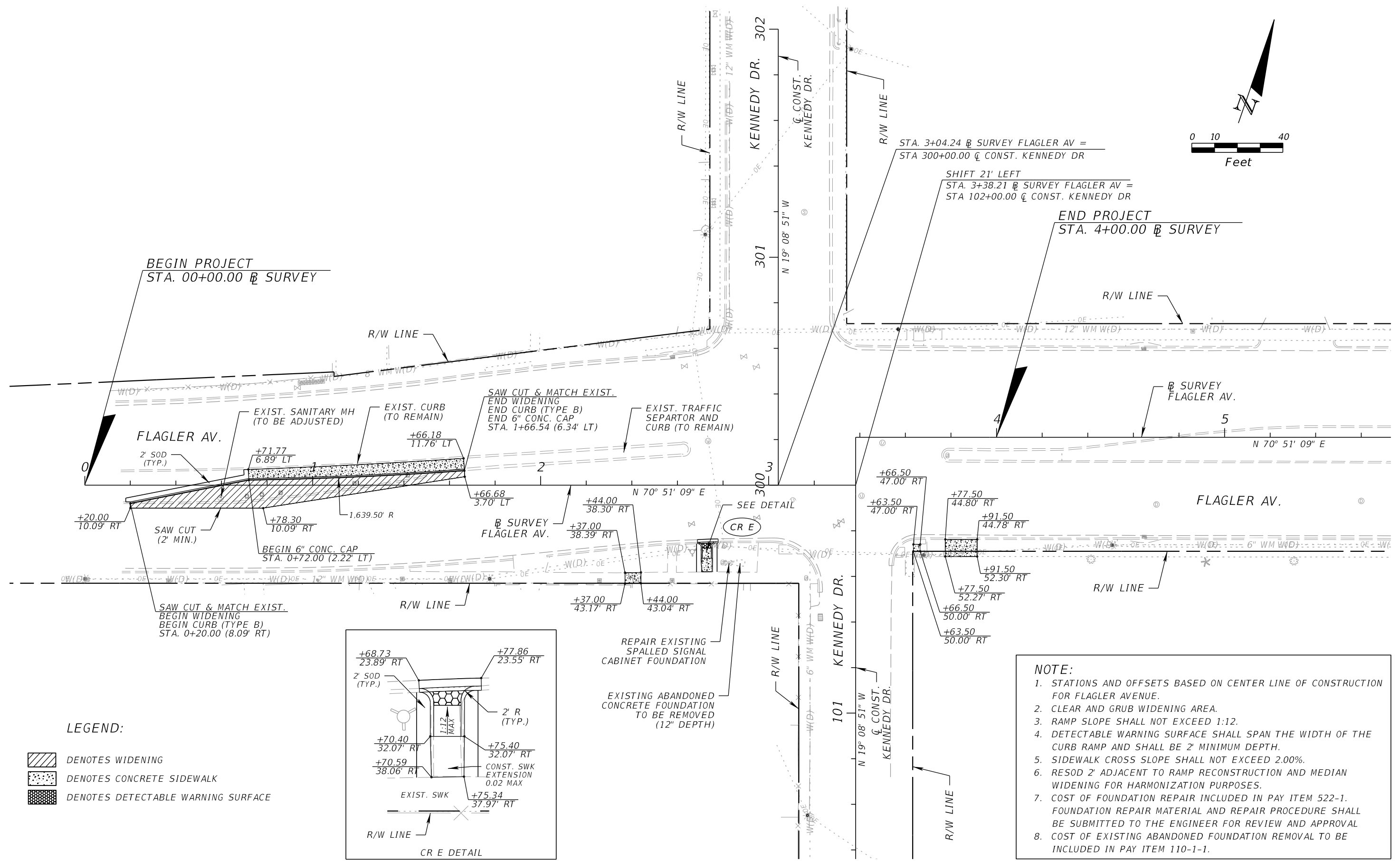
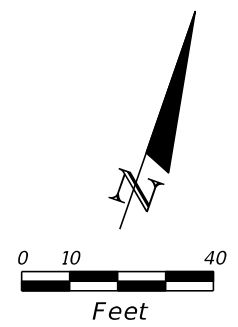
ERIK ALEXANDER ECHEZABAL, P.E.
 P.E. LICENSE NUMBER 82215
 CHOICE ENGINEERING CONSULTANTS, INC.
 12855 SW 132nd STREET, SUITE 200
 MIAMI, FLORIDA 33186
 CERTIFICATE OF AUTHORIZATION 31116

**CITY OF KEY WEST
 FLORIDA**
 INTERSECTION OF FLAGLER AVE AT
 FIRST ST / BERTHA ST. AND KENNEDY DR.
 SIGNAL IMPROVEMENTS

ROADWAY PLANS

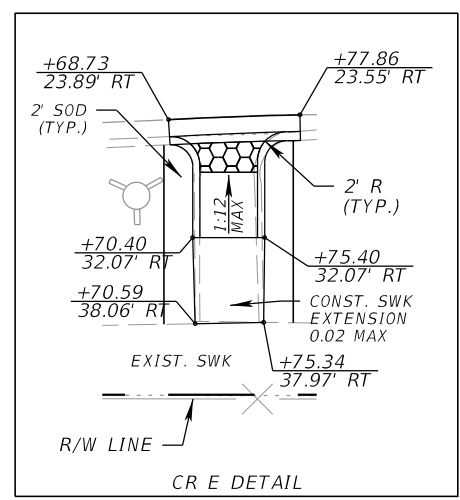
SHEET NO.
 6

THE OFFICIAL RECORD OF THIS SHEET IS THE ELECTRONIC FILE DIGITALLY SIGNED AND SEALED UNDER RULE 61G15-23.004, F.A.C.



LEGEND:

- DENOTES WIDENING
- DENOTES CONCRETE SIDEWALK
- DENOTES DETECTABLE WARNING SURFACE



NOTE:

1. STATIONS AND OFFSETS BASED ON CENTER LINE OF CONSTRUCTION FOR FLAGLER AVENUE.
2. CLEAR AND GRUB WIDENING AREA.
3. RAMP SLOPE SHALL NOT EXCEED 1:12.
4. DETECTABLE WARNING SURFACE SHALL SPAN THE WIDTH OF THE CURB RAMP AND SHALL BE 2' MINIMUM DEPTH.
5. SIDEWALK CROSS SLOPE SHALL NOT EXCEED 2.00%.
6. RESOD 2' ADJACENT TO RAMP RECONSTRUCTION AND MEDIAN WIDENING FOR HARMONIZATION PURPOSES.
7. COST OF FOUNDATION REPAIR INCLUDED IN PAY ITEM 522-1. FOUNDATION REPAIR MATERIAL AND REPAIR PROCEDURE SHALL BE SUBMITTED TO THE ENGINEER FOR REVIEW AND APPROVAL
8. COST OF EXISTING ABANDONED FOUNDATION REMOVAL TO BE INCLUDED IN PAY ITEM 110-1-1.

REVISIONS			
DATE	DESCRIPTION	DATE	DESCRIPTION

ERIK ALEXANDER ECHEZABAL, P.E.
 P.E. LICENSE NUMBER 82215
 CHOICE ENGINEERING CONSULTANTS, INC.
 12855 SW 132nd STREET, SUITE 200
 MIAMI, FLORIDA 33186
 CERTIFICATE OF AUTHORIZATION 31116

**CITY OF KEY WEST
 FLORIDA**

INTERSECTION OF FLAGLER AVE AT
 FIRST ST / BERTHA ST. AND KENNEDY DR.
 SIGNAL IMPROVEMENTS

ROADWAY PLANS

SHEET NO.
 7

THE OFFICIAL RECORD OF THIS SHEET IS THE ELECTRONIC FILE DIGITALLY SIGNED AND SEALED UNDER RULE 61G15-23.004, F.A.C.

GENERAL NOTES
=====

1. LANE CLOSURE SHALL OCCUR ONLY DURING NON-PEAK HOURS ON NON-EVENT DAYS/WEEKENDS. NON-PEAK HOURS ARE:
FROM 9:00 AM TO 4:00 PM - WEEKDAYS AND WEEKENDS
2. NO PHASE OF THE TRAFFIC CONTROL PLAN SHALL BE IN PLACE DURING SPECIAL EVENT DATES AS DETERMINED BY THE ENGINEER. THE FOLLOWING LIST OF NOTABLE SPECIAL EVENTS ARE
 - KEY WEST MINI LOBSTER SEASON
 - KEY WEST ANNUAL KEY WEST FANTASY FEST
 - KEY WEST ANNUAL WORLD CHAMPIONSHIP BOAT RACES
2. TRAFFIC CONTROL PLANS FOR ALL PHASES ARE DESIGNED FOR NON-PEAK HOURS ONLY.
3. REGULATORY SPEED ESTABLISHED WITH IN THE WORK ZONE TRAVEL WAYS SHALL BE 30 MPH.

ADVANCE CONSTRUCTION NOTICE:
=====

4. THE FOLLOWING PCMs SHALL BE IN PLACE AT BOTH APPROACHES OF EACH INTERSECTION 14 DAYS BEFORE THE START OF CONSTRUCTION:

MESSAGE 1	MESSAGE 2																																																
<table border="1" style="border-collapse: collapse; text-align: center;"> <tr><td> </td><td>C</td><td>O</td><td>N</td><td>S</td><td>T</td><td> </td><td> </td></tr> <tr><td> </td><td> </td><td>W</td><td>O</td><td>R</td><td>K</td><td> </td><td> </td></tr> <tr><td> </td><td>B</td><td>E</td><td>G</td><td>I</td><td>N</td><td>S</td><td> </td></tr> </table>		C	O	N	S	T					W	O	R	K				B	E	G	I	N	S		<table border="1" style="border-collapse: collapse; text-align: center;"> <tr><td>M</td><td>M</td><td>/</td><td>D</td><td>D</td><td> </td><td>T</td><td>O</td></tr> <tr><td>M</td><td>M</td><td> </td><td>D</td><td>D</td><td> </td><td> </td><td> </td></tr> <tr><td>X</td><td>A</td><td>M</td><td>-</td><td>X</td><td>P</td><td>M</td><td> </td></tr> </table>	M	M	/	D	D		T	O	M	M		D	D				X	A	M	-	X	P	M	
	C	O	N	S	T																																												
		W	O	R	K																																												
	B	E	G	I	N	S																																											
M	M	/	D	D		T	O																																										
M	M		D	D																																													
X	A	M	-	X	P	M																																											

THE FOLLOWING PCMs SHALL BE PLACED AT BOTH APPROACHES OF EACH INTERSECTION DURING CONSTRUCTION:

MESSAGE 1	MESSAGE 2																																															
<table border="1" style="border-collapse: collapse; text-align: center;"> <tr><td> </td><td>R</td><td>O</td><td>A</td><td>D</td><td> </td><td> </td></tr> <tr><td> </td><td> </td><td>W</td><td>O</td><td>R</td><td>K</td><td> </td><td> </td></tr> <tr><td> </td><td>A</td><td>H</td><td>E</td><td>A</td><td>D</td><td> </td><td> </td></tr> </table>		R	O	A	D					W	O	R	K				A	H	E	A	D			<table border="1" style="border-collapse: collapse; text-align: center;"> <tr><td> </td><td>E</td><td>X</td><td>P</td><td>E</td><td>C</td><td>T</td><td> </td></tr> <tr><td> </td><td> </td><td> </td><td> </td><td> </td><td> </td><td> </td><td> </td></tr> <tr><td> </td><td>D</td><td>E</td><td>L</td><td>A</td><td>Y</td><td>S</td><td> </td></tr> </table>		E	X	P	E	C	T											D	E	L	A	Y	S	
	R	O	A	D																																												
		W	O	R	K																																											
	A	H	E	A	D																																											
	E	X	P	E	C	T																																										
	D	E	L	A	Y	S																																										

SIGNALS:
=====

5. THE CITY OF KEY WEST ENGINEERING CONTACT TELEPHONE NUMBER IS: (305) 809-3752.

REVISIONS				ERIK ALEXANDER ECHEZABAL, P.E. P.E. LICENSE NUMBER 82215 CHOICE ENGINEERING CONSULTANTS, INC. 12855 SW 132nd STREET, SUITE 200 MIAMI, FLORIDA 33186 CERTIFICATE OF AUTHORIZATION 31116	CITY OF KEY WEST FLORIDA	INTERSECTION OF FLAGLER AVE AT FIRST ST / BERTHA ST. AND KENNEDY DR. SIGNAL IMPROVEMENTS	TEMPORARY TRAFFIC CONTROL PLANS	SHEET NO.
DATE	DESCRIPTION	DATE	DESCRIPTION					8

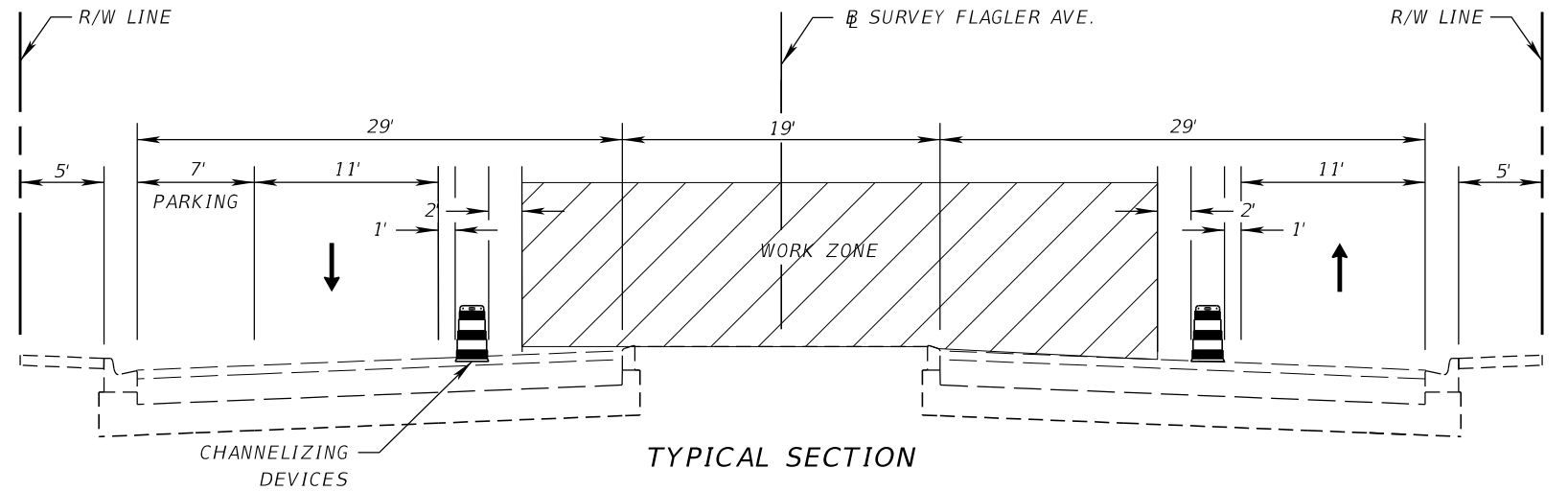
FLAGLER AVENUE AND FIRST STREET/ BERTHA STREET

PHASE I NOTES:

1. INSTALL PCMS USING ADVANCED CONSTRUCTION NOTICE TWO WEEKS PRIOR TO START OF CONSTRUCTION.
2. INSTALL WORK ZONE SIGNS AND TEMPORARY TRAFFIC CONTROL DEVICES ALONG THE NORTH SIDE OF FLAGLER AVE IN ACCORDANCE WITH THE FDOT STANDARD PLANS INDEX NO'S 102-613, 102-615, AND 102-660.
3. INSTALL WORK ZONE SIGNS AND TEMPORARY TRAFFIC CONTROL DEVICES ALONG BERTHA ST/ FIRST ST TO PERFORM (NORTHBOUND OR SOUTHBOUND) LANE CLOSURES AS NEEDED ON ONE SIDE OF FLAGLER AVE AT A TIME IN ACCORDANCE WITH THE FDOT STANDARD PLANS No's 102-603, 102-604, 102-613, 102-615 AND 102-660.
4. CONTRACTOR TO MAINTAIN SIDEWALK OPEN ON ONE SIDE AT ALL TIMES.
5. CONSTRUCT SIGNAL AND ROADWAY IMPROVEMENTS ON THE NORTH SIDE OF FLAGLER AVE.

PHASE II NOTES:

1. INSTALL PCMS USING ADVANCED CONSTRUCTION NOTICE TWO WEEKS PRIOR LANE CLOSURE.
2. INSTALL WORK ZONE SIGNS AND TEMPORARY TRAFFIC CONTROL DEVICES ALONG THE NORTH SIDE OF FLAGLER AVE IN ACCORDANCE WITH THE FDOT STANDARD PLANS INDEX NO'S 102-613, 102-615, AND 102-660.
3. INSTALL WORK ZONE SIGNS AND TEMPORARY TRAFFIC CONTROL DEVICES ALONG BERTHA ST/ FIRST ST TO PERFORM (NORTHBOUND OR SOUTHBOUND) LANE CLOSURES AS NEEDED ON ONE SIDE OF FLAGLER AVE AT A TIME IN ACCORDANCE WITH THE FDOT STANDARD PLANS No's 102-603, 102-604, 102-613, 102-615 AND 102-660.
4. CONTRACTOR TO MAINTAIN SIDEWALK OPEN ON ONE SIDE AT ALL TIMES.
5. CONSTRUCT SIGNAL AND ROADWAY IMPROVEMENTS ON THE SOUTH SIDE OF FLAGLER AVE.



**TYPICAL SECTION
FLAGLER AVENUE WEST OF KENNEDY DRIVE
STA. 00+20.00 TO STA. 01+70.00**

PHASE I NOTES:

1. CONTRACTOR IS TO MAINTAIN THE EASTBOUND LEFT TURN LANE OPEN AT ALL TIMES.
2. INSTALL PCMS USING ADVANCED CONSTRUCTION NOTICE TWO WEEKS PRIOR TO START OF CONSTRUCTION.
3. INSTALL WORK ZONE SIGNS AND TEMPORARY TRAFFIC CONTROL DEVICES ALONG FLAGLER AVE IN ACCORDANCE WITH THE FDOT STANDARD PLANS INDEX NO'S 102-613, 102-615, AND 102-660.
4. INSTALL WORK ZONE SIGNS AND TEMPORARY TRAFFIC CONTROL DEVICES ALONG KENNEDY DRIVE AS NEEDED TO FOR LANE CLOSURES TO CONSTRUCT WIDENING ALONG FLAGLER AVE IN ACCORDANCE WITH THE FDOT STANDARD PLANS No's 102-603, 102-604, 102-613, 102-615 AND 102-660.
5. CONSTRUCT ROADWAY WIDENING.
6. INSTALL PAVEMENT MARKINGS

PHASE II NOTES:

1. INSTALL WORK ZONE SIGNS AND TEMPORARY TRAFFIC CONTROL DEVICES ALONG THE NORTH SIDE OF FLAGLER AVE IN ACCORDANCE WITH THE FDOT STANDARD PLANS INDEX NO'S 102-613, 102-615, AND 102-660.
2. INSTALL WORK ZONE SIGNS AND TEMPORARY TRAFFIC CONTROL DEVICES ALONG KENNEDY DRIVE TO PERFORM (NORTHBOUND OR SOUTHBOUND) LANE CLOSURES AS NEEDED ON ONE SIDE OF FLAGLER AVE AT A TIME IN ACCORDANCE WITH THE FDOT STANDARD PLANS No's 102-603, 102-604, 102-613, 102-615 AND 102-660.
3. CONTRACTOR TO MAINTAIN SIDEWALK OPEN ON ONE SIDE AT ALL TIMES.
4. CONSTRUCT SIGNAL AND ROADWAY IMPROVEMENTS ON THE NORTH SIDE OF FLAGLER AVE.

PHASE III NOTES:

1. INSTALL WORK ZONE SIGNS AND TEMPORARY TRAFFIC CONTROL DEVICES ALONG THE SOUTH SIDE OF FLAGLER AVE IN ACCORDANCE WITH THE FDOT STANDARD PLANS INDEX NO'S 102-613, 102-615, AND 102-660.
2. INSTALL WORK ZONE SIGNS AND TEMPORARY TRAFFIC CONTROL DEVICES ALONG KENNEDY DRIVE TO PERFORM (NORTHBOUND OR SOUTHBOUND) LANE CLOSURES AS NEEDED ON ONE SIDE OF THE ROADWAY AT A TIME IN ACCORDANCE WITH THE FDOT STANDARD PLANS No's 102-603, 102-604, 102-613, 102-615 AND 102-660.
3. CONTRACTOR TO MAINTAIN SIDEWALK OPEN ON ONE SIDE AT ALL TIMES.
4. CONSTRUCT SIGNAL AND ROADWAY IMPROVEMENTS ON THE SOUTH SIDE OF FLAGLER AVE.

REVISIONS			
DATE	DESCRIPTION	DATE	DESCRIPTION

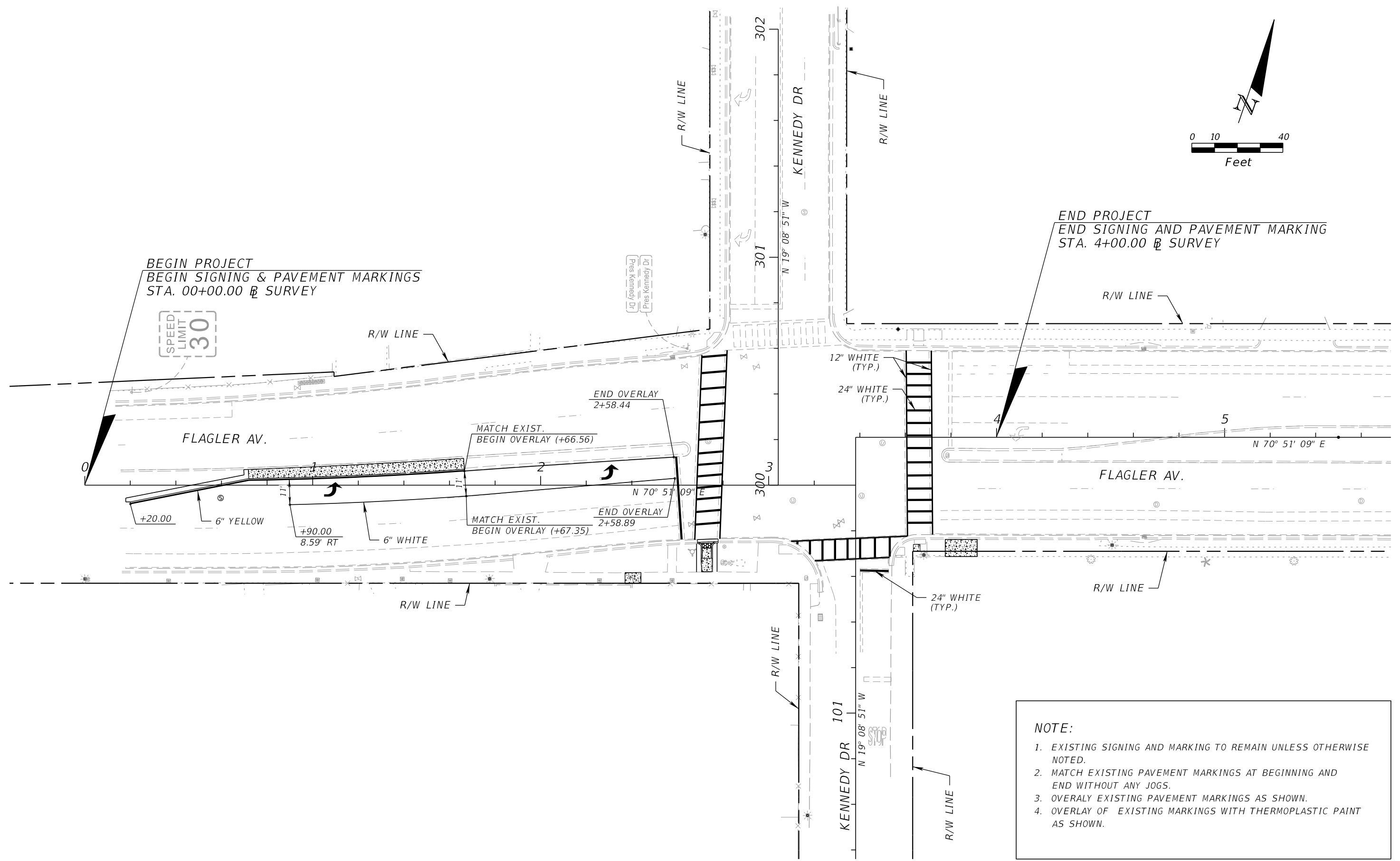
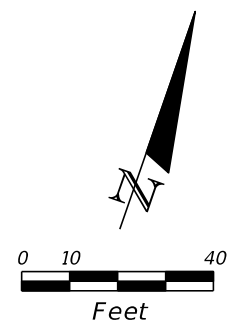
ERIK ALEXANDER ECHEZABAL, P.E.
P.E. LICENSE NUMBER 82215
CHOICE ENGINEERING CONSULTANTS, INC.
12855 SW 132nd STREET, SUITE 200
MIAMI, FLORIDA 33186
CERTIFICATE OF AUTHORIZATION 31116

**CITY OF KEY WEST
FLORIDA**
INTERSECTION OF FLAGLER AVE AT
FIRST ST / BERTHA ST. AND KENNEDY DR.
SIGNAL IMPROVEMENTS

**TEMPORARY TRAFFIC
CONTROL PLANS**

SHEET
NO.
9

THE OFFICIAL RECORD OF THIS SHEET IS THE ELECTRONIC FILE DIGITALLY SIGNED AND SEALED UNDER RULE 61G15-23.004, F.A.C.



END PROJECT
END SIGNING AND PAVEMENT MARKING
STA. 4+00.00 @ SURVEY

BEGIN PROJECT
BEGIN SIGNING & PAVEMENT MARKINGS
STA. 00+00.00 @ SURVEY

SPEED
LIMIT
30

NOTE:

1. EXISTING SIGNING AND MARKING TO REMAIN UNLESS OTHERWISE NOTED.
2. MATCH EXISTING PAVEMENT MARKINGS AT BEGINNING AND END WITHOUT ANY JOGS.
3. OVERLAY EXISTING PAVEMENT MARKINGS AS SHOWN.
4. OVERLAY OF EXISTING MARKINGS WITH THERMOPLASTIC PAINT AS SHOWN.

REVISIONS			
DATE	DESCRIPTION	DATE	DESCRIPTION

ERIK ALEXANDER ECHEZABAL, P.E.
P.E. LICENSE NUMBER 82215
CHOICE ENGINEERING CONSULTANTS, INC.
12855 SW 132nd STREET, SUITE 200
MIAMI, FLORIDA 33186
CERTIFICATE OF AUTHORIZATION 31116

**CITY OF KEY WEST
FLORIDA**

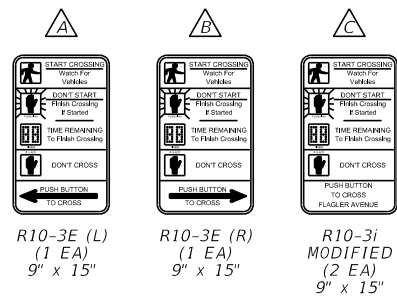
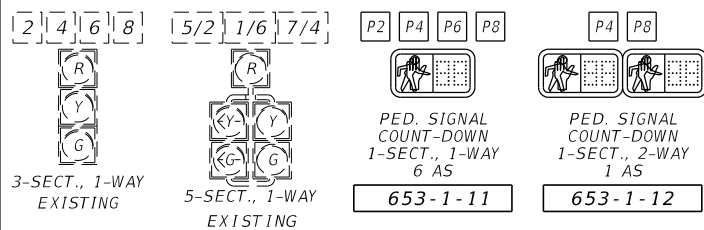
INTERSECTION OF FLAGLER AVE AT
FIRST ST / BERTHA ST. AND KENNEDY DR.
SIGNAL IMPROVEMENTS

**SIGNING AND PAVEMENT
MARKINGS PLANS**

SHEET
NO.
10

THE OFFICIAL RECORD OF THIS SHEET IS THE ELECTRONIC FILE DIGITALLY SIGNED AND SEALED UNDER RULE 61G15-23.004, F.A.C.

SIGNAL HEAD AND SIGN DETAILS



DETECTORS FOR LOOPS

LOOP (L)	NO. OF EXIST. LOOPS	NO. OF EXIST. DETS.	NO. OF PROP. LOOPS	NO. OF PROP. DETS
1A	1	1		
5A			1	1
8A	1	1		

CONTROLLER TIMINGS

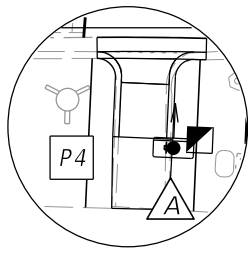
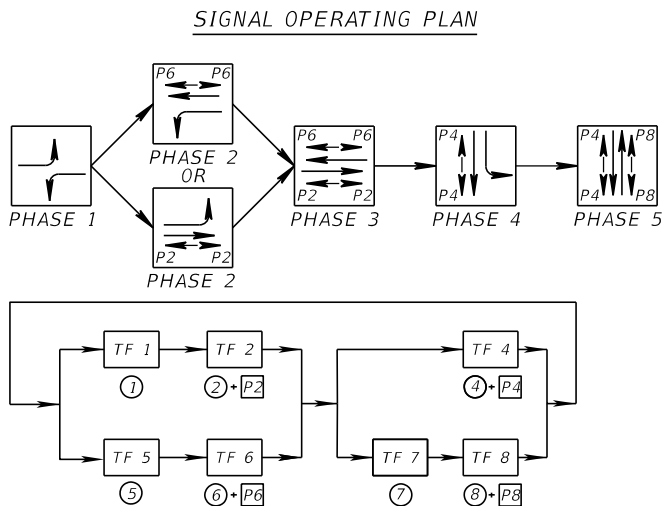
TIMING FUNCTION	1	2	4	5	6	7	8
MOVEMENT NUMBER	1	2	4	5	6	7	8
MINIMUM GREEN	5	30	12	5	30	4	9
EXTENSION	3.0	3.0	5.0	4.0	3.0	5.0	3.0
MAXIMUM GREEN 1	10	36	25	10	36	12	17
MAXIMUM GREEN 2	10	44	31	14	44	19	17
YELLOW CLEARANCE	3.7	3.7	3.7	3.7	3.7	3.7	3.4
ALL RED	2.5	2.7	3.0	2.7	2.7	3.0	3.3
PEDESTRIAN WALK	-	7.0	7.0	-	7.0	-	7.0
PED. CLEARANCE	-	7	19	-	9	-	18
RECALL		MAX	MAX		MAX	MAX	MAX

CONTROLLER OPERATIONS:

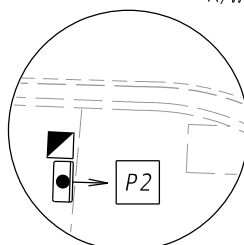
- MAJOR STREET: FLAGLER AVE.
MINOR STREET: KENNEDY DR.
- PHASES 1 AND 2 - ACTUATED
PHASES 3, 4, AND 5 - RECALL
- FLASHING OPERATIONS:
MOVEMENTS 2 AND 6 - YELLOW
MOVEMENTS 4 AND 8 - RED
- P4 & P8 - ACTUATED
P2 & P6 - RECALL
- CONTRACTOR SHALL SUBMIT ANY MODIFICATIONS TO TIMING FUNCTIONS OR INTERVALS NOT SPECIFIED IN THESE PLANS TO THE ENGINEER OF RECORD FOR APPROVAL.
- CONTRACTOR SHALL PROGRAM PROPOSED YELLOW CLEARANCE, ALL RED, PEDESTRIAN WALK, AND PED. CLEARANCE VALUES FOR ALL TIMING PLANS.

NOTES:

- FOR SIGNALIZATION ON THE EXISTING STRAIN POLES, ROUTE SIGNAL CABLES WITHIN STRAIN POLE AND EXIT VIA THE STRAIN POLE HAND HOLE. CONNECT PROPOSED PULL BOX AND HAND HOLE ENTRY UTILIZING GALVANIZED RIGID STEEL CONDUIT.
- ABANDON EXIST. L-5 LOOP AND INSTALL PROPOSED L-5A LOOP IN PLACE.



**S SIDE
PEDESTAL MOUNTED PEDESTRIAN
SIGNAL, DETECTOR, AND SIGN**
P4
STA. 2+75.50
(32.81 RT)
646-1-11 1 EA
665-1-12 1 EA



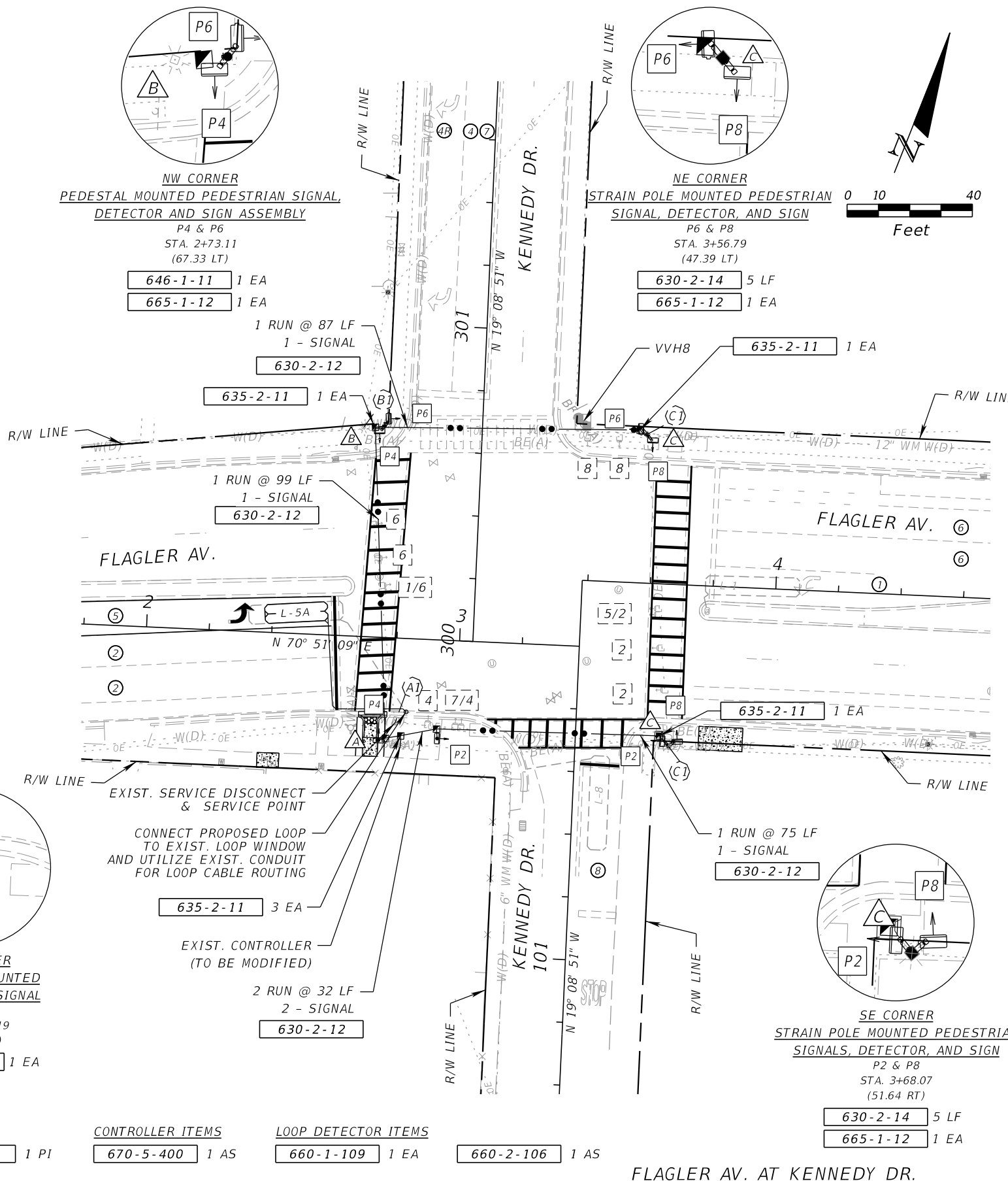
**SW CORNER
PEDESTAL MOUNTED
PEDESTRIAN SIGNAL**
P2
STA. 2+94.19
(31.41 RT)
646-1-11 1 EA

CABLE ITEMS
632-7-1 1 PI

CONTROLLER ITEMS
670-5-400 1 AS

LOOP DETECTOR ITEMS
660-1-109 1 EA

660-2-106 1 AS



FLAGLER AV. AT KENNEDY DR.

REVISIONS

DATE	DESCRIPTION	DATE	DESCRIPTION

ERIK ALEXANDER ECHEZABAL, P.E.
P.E. LICENSE NUMBER 82215
CHOICE ENGINEERING CONSULTANTS, INC.
12855 SW 132nd STREET, SUITE 200
MIAMI, FLORIDA 33186
CERTIFICATE OF AUTHORIZATION 31116

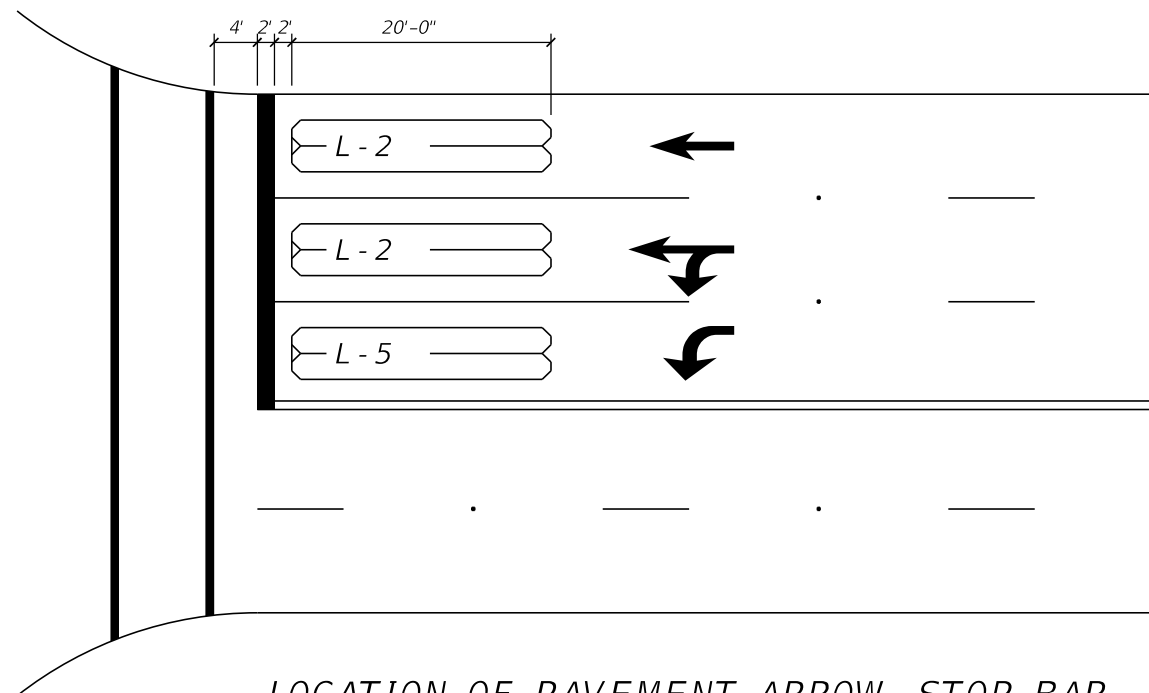
**CITY OF KEY WEST
FLORIDA**

INTERSECTION OF FLAGLER AVE AT
FIRST ST / BERTHA ST. AND KENNEDY DR.
SIGNAL IMPROVEMENTS

SIGNALIZATION PLANS

SHEET NO.

12



LOCATION OF PAVEMENT ARROW, STOP BAR AND LOOPS AT SIGNALIZED INTERSECTIONS

(NOTE: PAVEMENT ARROWS SHALL NOT OVERLAP LOOPS)

REVISIONS				ERIK ALEXANDER ECHEZABAL, P.E. P.E. LICENSE NUMBER 82215 CHOICE ENGINEERING CONSULTANTS, INC. 12855 SW 132nd STREET, SUITE 200 MIAMI, FLORIDA 33186 CERTIFICATE OF AUTHORIZATION 31116	CITY OF KEY WEST FLORIDA INTERSECTION OF FLAGLER AVE AT FIRST ST / BERTHA ST. AND KENNEDY DR. SIGNAL IMPROVEMENTS	SIGNALIZATION DETAILS	SHEET NO.
DATE	DESCRIPTION	DATE	DESCRIPTION				13

SUMMARY OF LUMP SUM ITEMS

PAY ITEM NO.	PAY ITEM DESCRIPTION	QUANTITY		DESIGN NOTES	CONSTRUCTION REMARKS
		P	F		
0101 1	MOBILIZATION	1			
0102 1	MAINTENANCE OF TRAFFIC	1			

SUMMARY OF GENERAL ITEMS

PAY ITEM NO.	PAY ITEM DESCRIPTION	UNIT	QUANTITY		TOTAL		DESIGN NOTES	CONSTRUCTION REMARKS
			P	F	P	F		
630-2-12	CONDUIT, FURNISH & INSTALL, DIRECTIONAL BORE	LF	536		829		FIRST ST. / BERTHA ST.	
			293				KENNEDY DR.	
630-2-14	CONDUIT, FURNISH & INSTALL, ABOVEGROUND	LF	25		35		FIRST ST. / BERTHA ST.	
			10				KENNEDY DR.	
632-7-1	SIGNAL CABLE- NEW OR RECONSTRUCTED INTERSECTION, FURNISH & INSTALL	PI	1		2		FIRST ST. / BERTHA ST.	
			1				KENNEDY DR.	
635-2-11	PULL & SPLICE BOX, F&I, 13" x 24" COVER SIZE	EA	17		23		FIRST ST. / BERTHA ST.	
			6				KENNEDY DR.	
646-1-11	ALUMINUM SIGNALS POLE, PEDESTAL	EA	6		9		FIRST ST. / BERTHA ST.	
			3				KENNEDY DR.	
653-1-11	PEDESTRIAN SIGNAL, FURNISH & INSTALL LED COUNTDOWN, 1 WAY	AS	6		12		FIRST ST. / BERTHA ST.	
			6				KENNEDY DR.	
653-1-12	PEDESTRIAN SIGNAL, FURNISH & INSTALL LED COUNTDOWN, 2 WAY	AS	1		1		KENNEDY DR.	
660-1-109	LOOP DETECTOR INDUCTIVE, F&I, TYPE 9	EA	6		7		FIRST ST. / BERTHA ST.	
			1				KENNEDY DR.	
660-2-106	LOOP ASSEMBLY, F&I, TYPE F	AS	7		8		FIRST ST. / BERTHA ST.	
			1				KENNEDY DR.	
665-1-12	PEDESTRIAN DETECTOR, FURNISH & INSTALL, ACCESSIBLE	EA	6		10		FIRST ST. / BERTHA ST.	
		EA	4				KENNEDY DR.	
670-5-400	TRAFFIC CONTROLLER ASSEMBLY, MODIFY	AS	1		2		FIRST ST. / BERTHA ST.	
			1				KENNEDY DR.	
0710 90	PAINTED PAVEMENT MARKINGS, FINAL SURFACE	LS					KENNEDY DR.	
*	PAINTED PAVEMENT MARKINGS, STANDARD, WHITE, SOLID, 6"	GM	0.032				KENNEDY DR.	
*	PAINTED PAVEMENT MARKINGS, STANDARD, WHITE, SOLID FOR CROSSWALK AND ROUNDABOUT, 12"	LF	410				KENNEDY DR.	
*	PAINTED PAVEMENT MARKINGS, STANDARD, WHITE, SOLID FOR STOP LINE OR CROSSWALK, 24"	LF	409				KENNEDY DR.	
*	PAINTED PAVEMENT MARKINGS, STANDARD, YELLOW, SOLID, 6"	GM	0.045				KENNEDY DR.	
0711 11123	THERMOPLASTIC, STANDARD, WHITE, SOLID, 12" FOR CROSSWALK AND ROUNDABOUT	LF	410				KENNEDY DR.	
0711 11125	THERMOPLASTIC, STANDARD, WHITE, SOLID, 24" FOR STOP LINE AND CROSSWALK	LF	409				KENNEDY DR.	
0711 11170	THERMOPLASTIC, WHITE, ARROW	EA	2				KENNEDY DR.	
0711 16101	THERMOPLASTIC, STANDARD-OTHER SURFACES, WHITE, SOLID, 6"	GM	0.032				KENNEDY DR.	
0711 16201	THERMOPLASTIC, STANDARD-OTHER SURFACES, YELLOW, SOLID, 6"	GM	0.045				KENNEDY DR.	

<p align="center">REVISIONS</p> <table border="1"> <thead> <tr> <th>DATE</th> <th>DESCRIPTION</th> <th>DATE</th> <th>DESCRIPTION</th> </tr> </thead> <tbody> <tr> <td> </td> <td> </td> <td> </td> <td> </td> </tr> </tbody> </table>				DATE	DESCRIPTION	DATE	DESCRIPTION					ERIK ALEXANDER ECHEZABAL, P.E. P.E. LICENSE NUMBER 82215 CHOICE ENGINEERING CONSULTANTS, INC. 12855 SW 132nd STREET, SUITE 200 MIAMI, FLORIDA 33186 CERTIFICATE OF AUTHORIZATION 31116	CITY OF KEY WEST FLORIDA INTERSECTION OF FLAGLER AVE AT FIRST ST / BERTHA ST. AND KENNEDY DR. SIGNAL IMPROVEMENTS	SUMMARY OF QUANTITIES	SHEET NO. SQ-1
DATE	DESCRIPTION	DATE	DESCRIPTION												

SUMMARY OF TEMPORARY TRAFFIC CONTROL PLAN ITEMS

PAY ITEM NO.	PAY ITEM DESCRIPTION	UNIT	PHASE I			PHASE II			PHASE III			TOTAL		DESIGN NOTES	CONSTRUCTION REMARKS
			DURATION	QUANTITY	TOTAL	DURATION	QUANTITY	TOTAL	DURATION	QUANTITY	TOTAL	P	F		
			DAYS	P	P	DAYS	P	P	DAYS	P	P				
102-60	WORK ZONE SIGN	ED	15	14	210	15	30	450	15	30	450	1110		ASSUMED 60 DAYS	KENNEDY DR.
102-74-1	CHANNELIZING DEVICE-TYPES I, II, DI, VP, DRUM, OR LCD	ED	15	24	360	15	24	360	15	48	720	1440			KENNEDY DR.
102-74-8	CHANNELIZING DEVICE-PEDESTRIAN LCD	FD				15	20	300	15	20	300	600			KENNEDY DR.
102-76	ARROW BOARD / ADVANCE WARNING ARROW PANEL	ED	15	2	30	15	1	15	15	1	15	60			KENNEDY DR.
102-99	PORTABLE CHANGEABLE MESSAGE SIGN TEMPORARY	ED	29	2	58	15	2	30	15	2	30	118			KENNEDY DR.
102-104	TEMPORARY SIGNALIZATION AND MAINTENANCE, INTERSECTION	ED	15	1	15	15	1	15	15	1	15	45			KENNEDY DR.
102-115	TYPE III BARRICADE	ED	15	4	30	15	2	30	15	2	30	90			KENNEDY DR.

SUMMARY OF TEMPORARY TRAFFIC CONTROL PLAN ITEMS

PAY ITEM NO.	PAY ITEM DESCRIPTION	UNIT	PHASE I			PHASE II			TOTAL		GRAND TOTAL		DESIGN NOTES	CONSTRUCTION REMARKS
			DURATION	QUANTITY	TOTAL	DURATION	QUANTITY	TOTAL	P	F	P	F		
			DAYS	P	P	DAYS	P	P						
102-60	WORK ZONE SIGN	ED	8	30	240	7	30	210	450		1560	ASSUMED 60 DAYS	FIRST ST./BERTHA ST.	
102-74-1	CHANNELIZING DEVICE-TYPES I, II, DI, VP, OR LCD	ED	8	24	192	7	24	168	360		1800		FIRST ST./BERTHA ST.	
102-74-8	CHANNELIZING DEVICE-PEDESTRIAN LCD	FD	8	30	240	7	30	210	450		1050		FIRST ST./BERTHA ST.	
102-76	ARROW BOARD / ADVANCE WARNING ARROW PANEL	ED	8	1	8	7	1	7	15		75		FIRST ST./BERTHA ST.	
102-99	PORTABLE CHANGEABLE MESSAGE SIGN TEMPORARY	ED	8	2	16	7	2	14	30		148		FIRST ST./BERTHA ST.	
102-104	TEMPORARY SIGNALIZATION AND MAINTENANCE, INTERSECTION	ED	8	1	8	7	1	7	15		60		FIRST ST./BERTHA ST.	
102-115	TYPE III BARRICADE	ED	8	4	30	7	4	28	58		148		FIRST ST./BERTHA ST.	

SUMMARY OF EROSION AND SEDIMENT CONTROL DEVICES

LOCATION	SIDE	AREA ID	INLET PROTECTION SYSTEM		DESIGN NOTES	CONSTRUCTION REMARKS
STA. TO STA.			P	F		
			0104 18			
			EA			
300+55.47 to 300+55.47	LT		1		KENNEDY DR.	
221+80.75 to 221+80.75	RT		1		FIRST ST.	
221+81.25 to 221+81.25	LT		1		FIRST ST.	
			SUB-TOTAL:			
			TOTAL:			

REVISIONS				ERIK ALEXANDER ECHEZABAL, P.E. P.E. LICENSE NUMBER 82215 CHOICE ENGINEERING CONSULTANTS, INC. 12855 SW 132nd STREET, SUITE 200 MIAMI, FLORIDA 33186 CERTIFICATE OF AUTHORIZATION 31116	CITY OF KEY WEST FLORIDA INTERSECTION OF FLAGLER AVE AT FIRST ST / BERTHA ST. AND KENNEDY DR. SIGNAL IMPROVEMENTS	SUMMARY OF QUANTITIES	SHEET NO.
DATE	DESCRIPTION	DATE	DESCRIPTION				SQ-2

SUMMARY OF CLEARING AND GRUBBING & REMOVAL ITEMS

PAY ITEM NO.	PAY ITEM DESCRIPTION	LOCATION		SIDE	AREA ID	UNITS	SECONDARY UNITS (IF LUMP SUM)		QUANTITY		TOTAL		DESIGN NOTES	CONSTRUCTION REMARKS
		STA. TO STA.					AREA (AC)		P	F	P	F		
0110 1 1	CLEARING AND GRUBBING	0+18.00 to 1+66.68		LT/RT	31229	LS	0.050		1		1		WIDENING AND FOUNDATION REMOVAL	
0110 4 10	REMOVAL OF EXISTING CONCRETE	0+19.86 to 1+66.48		LT	31274	SY			13.0		70		KENNEDY DR.	
		2+37.00 to 2+44.00		RT					3.7				FLAGLER AV.	
		2+68.73 to 2+77.89		RT	31259				8.5				KENNEDY DR.	
		3+63.50 to 3+66.50		RT					1.0				KENNEDY DR.	
		3+77.50 to 3+91.50		RT					11.7				FLAGLER AV.	
		101+68.55 to 101+77.54		RT	31250				9.5				FIRST ST. / BERTHA ST.	
		101+75.10 to 101+80.10		LT	22671				3.1				FIRST ST. / BERTHA ST.	
		102+00.60 to 102+05.82		LT					2.2				FIRST ST. / BERTHA ST.	
		102+46.80 to 102+56.05		LT	22325				7.3				FIRST ST. / BERTHA ST.	
		102+86.02 to 102+91.00		LT	22672				3.1				FIRST ST. / BERTHA ST.	
		103+30.50 to 103+35.50		LT	22673				3.4				FIRST ST. / BERTHA ST.	
		103+41.50 to 103+46.50		RT					3.6				FIRST ST. / BERTHA ST.	

SUMMARY OF EARTHWORK

PAY ITEM NO.	PAY ITEM DESCRIPTION	CY		DESIGN NOTES	CONSTRUCTION REMARKS
		P	F		
0120 1	REGULAR EXCAVATION	90.00		KENNEDY DR. (0+20.00 to 1+66.68)	

SUMMARY OF PAVEMENT

PAY ITEM NO.	PAY ITEM DESCRIPTION	LOCATION		SIDE	AREA ID	LENGTH	WIDTH	UNIT	QUANTITY		TOTAL		DESIGN NOTES	CONSTRUCTION REMARKS
		STA. TO STA.	DESCRIPTION						P	F	P	F		
		0160 4	TYPE B STABILIZATION						0+20.00 to 1+66.68		LT/RT	34949		
285711	OPTIONAL BASE, BASE GROUP 11	0+20.00 to 1+66.68		LT/RT	35055			SY	185.0		185		KENNEDY DR.	
0334 1 13	SUPERPAVE ASPHALTIC CONC, TRAFFIC C	0+20.06 to 1+66.65		LT/RT	35074			TN	19.80		19.8		KENNEDY DR.	

SUMMARY OF UTILITY ADJUSTMENTS

PAY ITEM NO.	PAY ITEM DESCRIPTION	LOCATION	SIDE	UNIT	QUANTITY		TOTAL		DESIGN NOTES	CONSTRUCTION REMARKS
		STATION			P	F	P	F		
0425 5	MANHOLE, ADJUST	0+59.61	RT	EA	1				KENNEDY DR.	

REVISIONS

DATE	DESCRIPTION	DATE	DESCRIPTION

ERIK ALEXANDER ECHEZABAL, P.E.
 P.E. LICENSE NUMBER 82215
 CHOICE ENGINEERING CONSULTANTS, INC.
 12855 SW 132nd STREET, SUITE 200
 MIAMI, FLORIDA 33186
 CERTIFICATE OF AUTHORIZATION 31116

**CITY OF KEY WEST
 FLORIDA**

INTERSECTION OF FLAGLER AVE AT
 FIRST ST / BERTHA ST. AND KENNEDY DR.
 SIGNAL IMPROVEMENTS

SUMMARY OF QUANTITIES

SHEET NO.

SQ-4

SUMMARY OF CURB & GUTTER AND/OR TRAFFIC SEPARATORS

PAY ITEM NO.	PAY ITEM DESCRIPTION	LOCATION	SIDE	AREA ID	UNIT	QUANTITY				TOTAL		DESIGN NOTES	CONSTRUCTION REMARKS	
						STA. TO STA.	GROSS LENGTH	DEDUCTIONS		NET LENGTH				P
		TYPE					LENGTH	P	F	P	F			
0520 1 10	CONCRETE CURB & GUTTER, TYPE F	2+68.73 to 2+77.86	RT		LF	9.1			9.1		18		KENNEDY DR.	
		101+68.55 to 101+77.54	RT			9.0			9.0				FIRST ST. / BERTHA ST.	
0520 2 2	CONCRETE CURB, TYPE B	0+20.00 to 1+66.54	LT/RT		LF	147.6			147.6		148		KENNEDY DR.	

SUMMARY OF SIDEWALK & DETECTABLE WARNINGS

LOCATION	SIDE	AREA ID	LENGTH	WIDTH	CONC SIDEWALK 4"		CONC SIDEWALK 6"		DETECTABLE WARNINGS		DESIGN NOTES	CONSTRUCTION REMARKS
					0522 1		0522 2		0527 2			
					SY		SY		SF			
					P	F	P	F	P	F		
2+37.00 to 2+44.00	RT				3.7							KENNEDY DR.
2+68.73 to 2+77.86	RT	31280			7.0							KENNEDY DR.
2+68.73 to 2+77.88	RT	35761			1.0							KENNEDY DR.
2+81.00 to 2+85.00	RT				2.0							FOUNDATION REPAIR
3+63.50 to 3+66.50	RT				1.0							KENNEDY DR.
3+77.50 to 3+91.50	RT				11.7							KENNEDY DR.
101+66.60 to 101+75.60	RT	31206			9.0							FIRST ST. / BERTHA ST.
101+75.10 to 101+80.10	LT	12565			3.1							FIRST ST. / BERTHA ST.
102+00.60 to 102+05.82	LT				2.2							FIRST ST. / BERTHA ST.
102+86.00 to 102+91.00	LT	12566			3.0							FIRST ST. / BERTHA ST.
103+30.50 to 103+35.50	LT	12567			3.4							FIRST ST. / BERTHA ST.
103+41.50 to 103+46.50	RT				3.6							FIRST ST. / BERTHA ST.
0+72.00 to 1+66.54	LT	35567					48.3					KENNEDY DR.
102+46.80 to 102+56.05	LT	20915					7.3					FIRST ST. / BERTHA ST.
2+68.73 to 2+77.86	RT	31368							9.0			KENNEDY DR.
101+66.60 to 101+75.60	RT	31361							12.0			FIRST ST. / BERTHA ST.
SUB-TOTAL:						50.7		55.6		21.0		
TOTAL:						51		56		21		

SUMMARY OF PERFORMANCE TURF

LOCATION	SIDE	AREA ID	LENGTH	WIDTH	PERFORMANCE TURF (SOD)		DESIGN NOTES	CONSTRUCTION REMARKS
					0570 1 2			
					SY			
					P	F		
0+19.69 to 0+69.91	LT/RT	35597			12.6			KENNEDY DR.
2+68.83 to 2+70.59	RT	21277			2.1			KENNEDY DR.
2+75.34 to 2+77.89	RT	21295			3.4			KENNEDY DR.
101+68.44 to 101+70.02	RT	35626			2.9			FIRST ST. / BERTHA ST.
101+75.94 to 101+77.53	RT	35633			2.9			FIRST ST. / BERTHA ST.
SUB-TOTAL:						23.9		
TOTAL:						24		

<table border="1"> <thead> <tr> <th colspan="4">REVISIONS</th> </tr> <tr> <th>DATE</th> <th>DESCRIPTION</th> <th>DATE</th> <th>DESCRIPTION</th> </tr> </thead> <tbody> <tr> <td> </td> <td> </td> <td> </td> <td> </td> </tr> </tbody> </table>				REVISIONS				DATE	DESCRIPTION	DATE	DESCRIPTION					ERIK ALEXANDER ECHEZABAL, P.E. P.E. LICENSE NUMBER 82215 CHOICE ENGINEERING CONSULTANTS, INC. 12855 SW 132nd STREET, SUITE 200 MIAMI, FLORIDA 33186 CERTIFICATE OF AUTHORIZATION 31116	CITY OF KEY WEST FLORIDA INTERSECTION OF FLAGLER AVE AT FIRST ST / BERTHA ST. AND KENNEDY DR. SIGNAL IMPROVEMENTS	SUMMARY OF QUANTITIES	SHEET NO. SQ-5
REVISIONS																			
DATE	DESCRIPTION	DATE	DESCRIPTION																

